

## VIN PLATE DECODING INFORMATION

|                |             |                     |              |             |               |                   |               |                    |                   |                    |                     |
|----------------|-------------|---------------------|--------------|-------------|---------------|-------------------|---------------|--------------------|-------------------|--------------------|---------------------|
| <b>1</b>       | <b>2</b>    | <b>3</b>            | <b>4</b>     | <b>5</b>    | <b>6</b>      | <b>7</b>          | <b>8</b>      | <b>9</b>           | <b>10</b>         | <b>11</b>          | <b>12 thru 17</b>   |
| <b>Country</b> | <b>Make</b> | <b>Vehicle Type</b> | <b>Other</b> | <b>Line</b> | <b>Series</b> | <b>Body Style</b> | <b>Engine</b> | <b>Check Digit</b> | <b>Model Year</b> | <b>Assy. Plant</b> | <b>Sequence No.</b> |

The following table interprets the VIN Plate position shown above.

| Position   | Interpretation         | Codes = Description                                       |
|------------|------------------------|---|
| 1          | Country of Origin      | 1 = Built in U.S. by DaimlerChrysler Corporation          |
| 2          | Assembler              | D = DODGE   |
| 3          | Vehicle Type           | 3 = Passenger Car   |
| 4          | GVWR & Pass. Safety    | E = Restraint System Active Driver & Passenger Air Bag    |
| 5          | Vehicle Line           | R = Viper R/T-10<br>R = Viper GTS                         |
| 6          | Series                 | 6 = Viper RT/10 (D-S27)<br>6 = Viper GTS-Coupe (D-S29)    |
| 7          | Body Style             | 5 = Convertible - Open Body<br>9 = 2 Door Specialty Coupe |
| 8          | Engine                 | E = 8.0L V10 SFI (EWB)                                    |
| 9          | Check Digit            | 0 = Check Digit   |
| 10         | Model Year             | V = 1997  |
| 11         | Assembly Plant         | V = New Mack Development Center                           |
| 12 thru 17 | Vehicle Build Sequence | Model Year Assembly Sequence                              |

# Group - 2

## Front Suspension & Drive

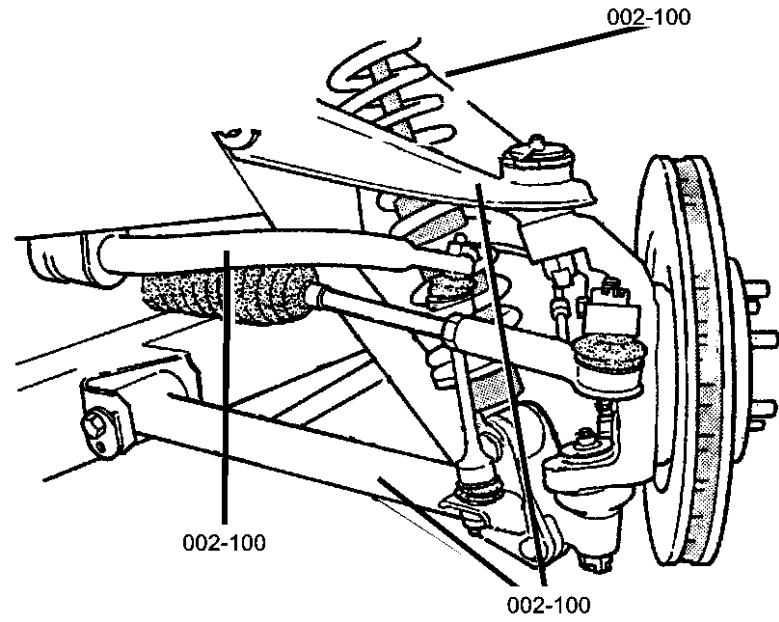
### Group - 2 Front Suspension & Drive

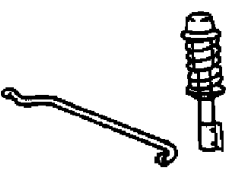
Group-Fig. No.

Illustration Title

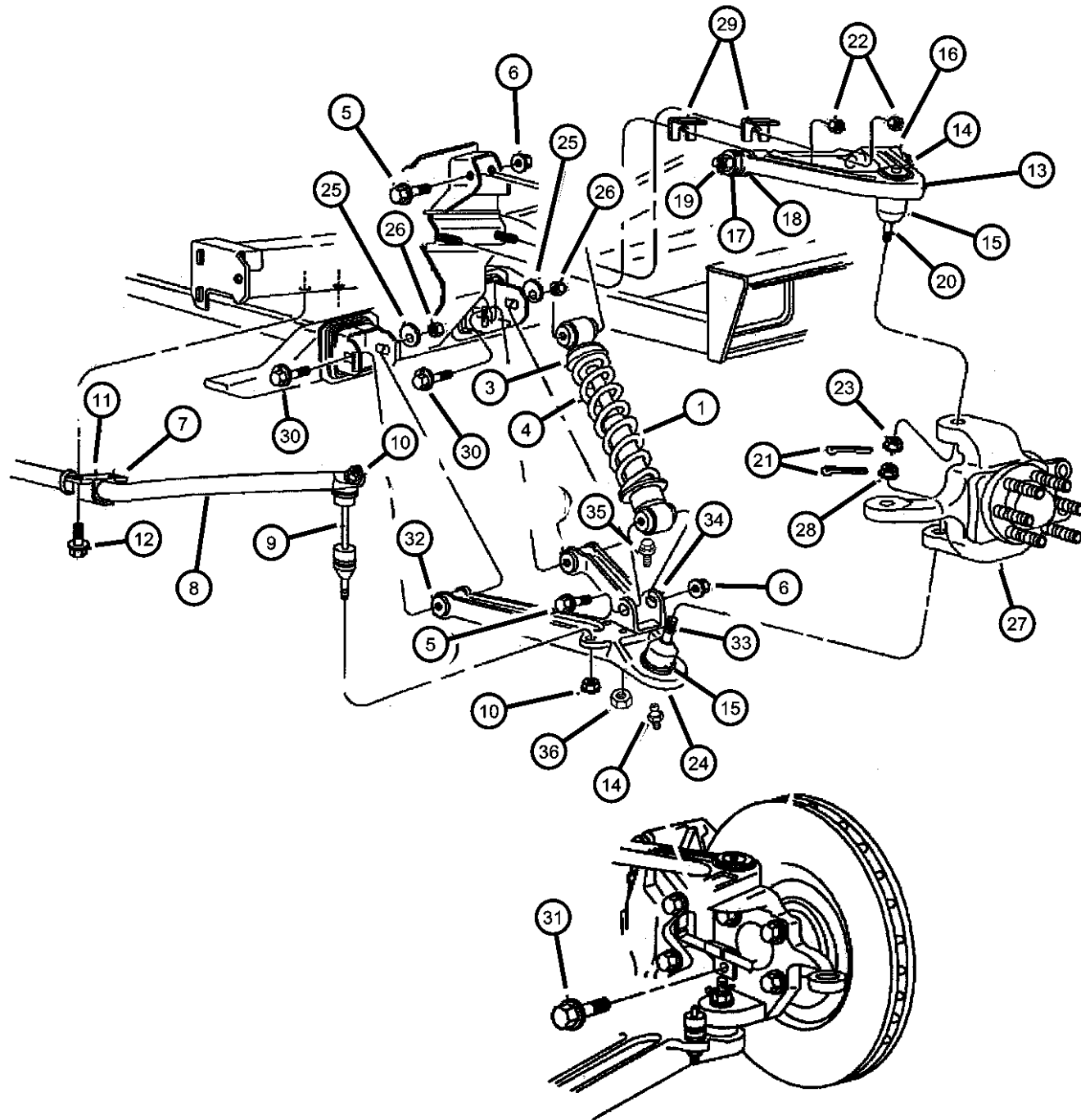
#### Front Suspension

Suspension, Front..... Fig. 2 - 110



|   |  |  |  |
|---|--|--|--|
| <p><b>002-100</b><br/>Front Suspension</p>  |  |  |  |
|---|--|--|--|

Suspension, Front  
Figure 2-110



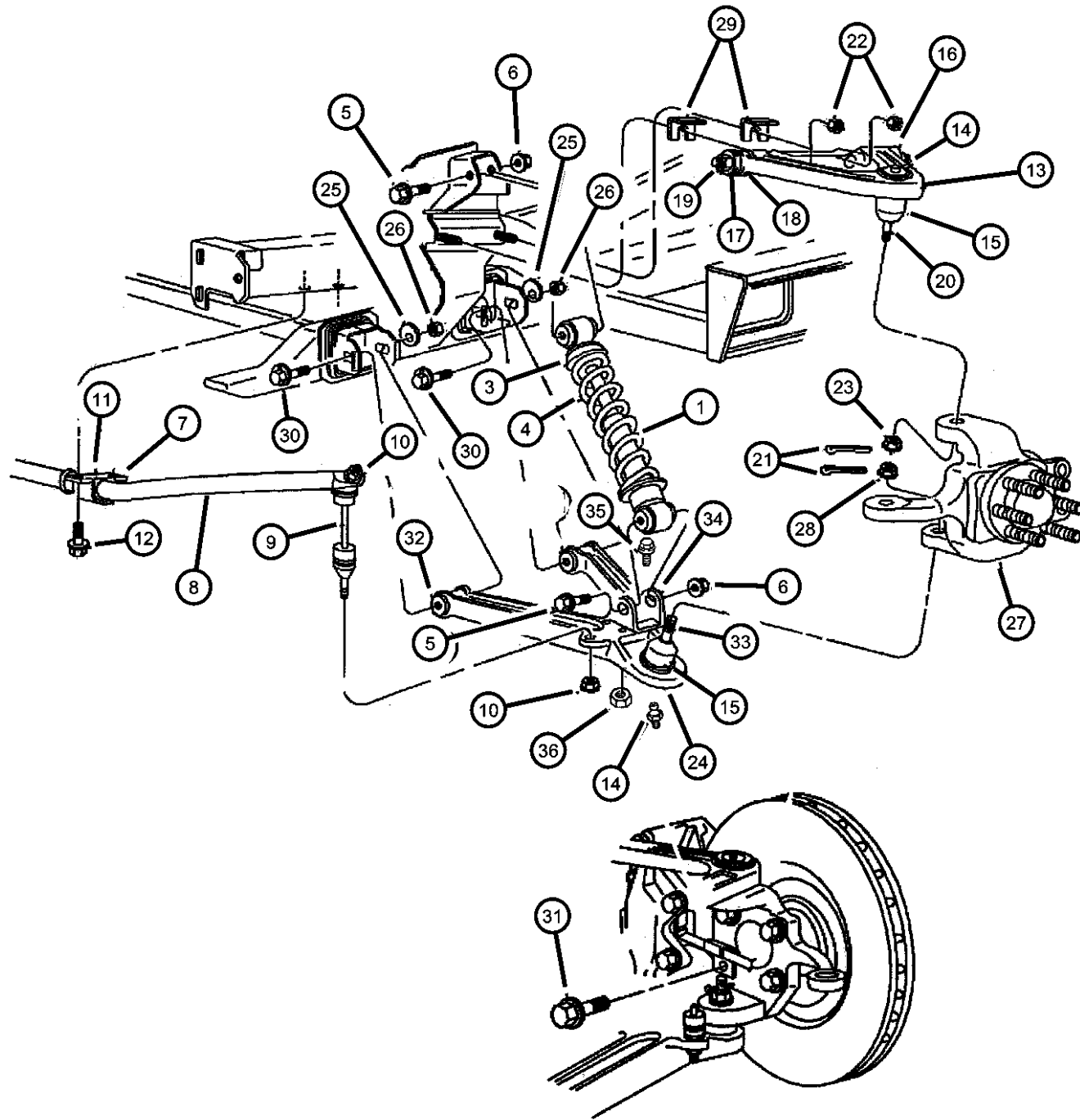
| ITEM | PART NUMBER | QTY | LINE | SERIES | BODY | ENGINE | TRANS | TRIM | DESCRIPTION                                       |
|------|-------------|-----|------|--------|------|--------|-------|------|---|
| 1    | 04873102    | 2   |      |        |      |        |       |      | SPRING, Front Suspension Coil, Front Absorber     |
| -2   | 04709321    | AR  |      |        |      |        |       |      | SHIM, Coil Over Shock Spring, Spring Seat         |
| 3    | 04763943    | 2   |      |        |      |        |       |      | SEAT, Spring, Front Absorber                      |
| 4    | 04848641    | 2   |      |        |      |        |       |      | SHOCK ABSORBER, Suspension, Front                 |
| 5    | 06100969    | 4   |      |        |      |        |       |      | BOLT, Hex Flange Head, M14x2.00x90                |
| 6    | 06502698    | 4   |      |        |      |        |       |      | NUT   |
| 7    | 04404219    | 2   |      |        |      |        |       |      | RETAINER, Stabilizer Bar Grommet                  |
| 8    | 04848105    | 1   |      |        |      |        |       |      | STABILIZER BAR, Front                             |
| 9    | 04763147    | 2   |      |        |      |        |       |      | LINK, Sway Eliminator, Stabilizer Bar             |
| 10   | 06502556    | 2   |      |        |      |        |       |      | NUT, Hex, M10-1.5                                 |
| 11   | 04643004    | 2   |      |        |      |        |       |      | BUSHING, Stabilizer Bar, Stabilizer Bar Clamp     |
| 12   | 04643004    | 2   |      |        |      |        |       |      | SCREW, M10x1.50x30.00 (Not Serv.), (NOT SERVICED) |
| 13   | 04709292    | 2   |      |        |      |        |       |      | ARM, ControlUpper                                 |
| 14   | 06030099    | 4   |      |        |      |        |       |      | FITTING, Ball Joint, Zirc, Lube                   |
| 15   | 52006404    | 1   |      |        |      |        |       |      | SEAL, Ball Joint                                  |
| 16   | 04848049    | 4   |      |        |      |        |       |      | BUSHING, Control ArmUpper                         |
| 17   | 04014175    | 4   |      |        |      |        |       |      | WASHER, Control Arm Pivot, .627x1.30x.089, Upper  |
| 18   | 03815704    | 4   |      |        |      |        |       |      | RETAINER, Control Arm BushingUpper                |
| 19   | 06036048AA  | 4   |      |        |      |        |       |      | NUT, Hex Lock, .562 - 18                          |
| 20   | 06036048AA  | 4   |      |        |      |        |       |      | BALL JOINT, Upper Control Arm, (NOT SERVICED)     |
| 21   | 00120123    | 4   |      |        |      |        |       |      | PIN, Cotter, Cotter .125x1.25                     |
| 22   | 06036048AA  | 4   |      |        |      |        |       |      | NUT, Hex Lock, .562 - 18                          |
| 23   | 06035641    | 2   |      |        |      |        |       |      | NUT, Hex, .625-18                                 |
| 24   |             |     |      |        |      |        |       |      | ARM, Control Lower, Right                         |
|      | 04709296    | 1   |      |        |      |        |       |      | Lower, Right                                      |
|      | 04709297    | 1   |      |        |      |        |       |      | Lower, Left                                       |
| 25   | 02269232    | 4   |      |        |      |        |       |      | CAM, Front Suspension Control Arm, Adjusting      |
| 26   | 00152349    | 4   |      |        |      |        |       |      | NUT, Hex, .50-20                                  |
| 27   |             |     |      |        |      |        |       |      | KNUCKLE, Front Left                               |
|      | 04709303    | 1   |      |        |      |        |       |      | Left  |
|      | 04709304    | 1   |      |        |      |        |       |      | Right   |

VIPER GTS COUPE,VIPER RT/10 ROADSTER (SR)

| SERIES         | LINE      | BODY                  | ENGINE                    | TRANSMISSION                      |
|----------------|-----------|-----------------------|---------------------------|-----------------------------------|
| S = RT/10      | D = DODGE | 27 = 2-DR CONVERTIBLE | EWB = 8.0L V10 SFI Engine | DEC = 6-Speed Manual Transmission |
| S = GTS Coupe  |           | 29 = SPECIALTY COUPE  |                           | DBB = All Manual Transmissions    |
| X = GTS/Lemans |           |                       |                           |                                   |

AR = use ase required - = Non illustrated part

Suspension, Front  
Figure 2-110



| ITEM | PART NUMBER | QTY | LINE | SERIES | BODY | ENGINE | TRANS | TRIM | DESCRIPTION  |
|------|-------------|-----|------|--------|------|--------|-------|------|--|
| 28   | 06035670    | 4   |      |        |      |        |       |      | NUT, Hex, .687-18  |
| 29   | 04642056    | 4   |      |        |      |        |       |      | SHIM, Control Arm, Front Adjusting                                       |
| 30   | 04709323    | 4   |      |        |      |        |       |      | BOLT, Control Arm Cam, Lower   |
| 31   | 06502136    | 2   |      |        |      |        |       |      | BOLT, Hex Flange Head, M10x1.50x55                                       |
| 32   | 04848050    | 2   |      |        |      |        |       |      | BUSHING, Control Arm   |
| 33   | 04848050    | 2   |      |        |      |        |       |      | BALL JOINT, Lower Control Arm, Serviced with Control Arm, (NOT SERVICED) |
| 34   |             |     |      |        |      |        |       |      | BRACKET, Shock Mounting  |
|      | 04709298    | 1   |      |        |      |        |       |      | Right  |
|      | 04709299    | 1   |      |        |      |        |       |      | Left   |
| 35   | 04709299    | 1   |      |        |      |        |       |      | BOLT, M10x1.50x65.00 [Not Serv.], (NOT SERVICED)                         |
| 36   | 06502696    | 3   |      |        |      |        |       |      | NUT, Hex Flange Lock, M14x1.50, M10x1.50                                 |
| -37  | 05012650AA  | 2   |      |        |      |        |       |      | BUSHING, Shock Absorber  |

VIPER GTS COUPE,VIPER RT/10 ROADSTER (SR)

| SERIES         | LINE      | BODY                  | ENGINE                    | TRANSMISSION                      |
|----------------|-----------|-----------------------|---------------------------|-----------------------------------|
| S = RT/10      | D = DODGE | 27 = 2-DR CONVERTIBLE | EWB = 8.0L V10 SFI Engine | DEC = 6-Speed Manual Transmission |
| S = GTS Coupe  |           | 29 = SPECIALTY COUPE  |                           | DBB = All Manual Transmissions    |
| X = GTS/Lemans |           |                       |                           |                                   |

AR = use ase required - = Non illustrated part

# Group - 3

## Rear Axle

### Group - 3 Rear Axle

Illustration Title

Group-Fig. No.

#### Rear Axle

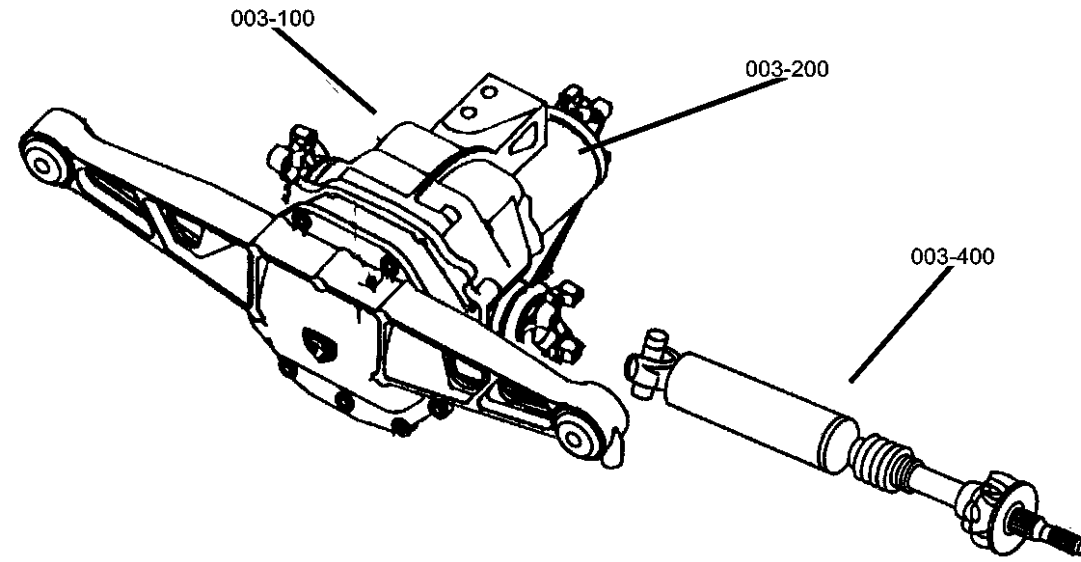
Differential Assembly, Rear..... Fig. 3 - 110

#### Differential and Housing

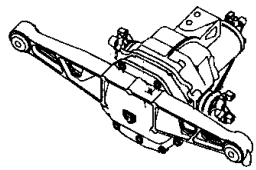
Differential Assembly, Rear..... Fig. 3 - 205

#### Rear Axle Shafts

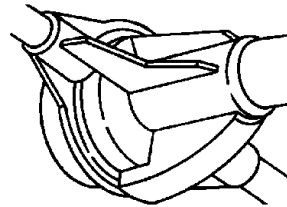
Shaft, Rear Axle..... Fig. 3 - 405



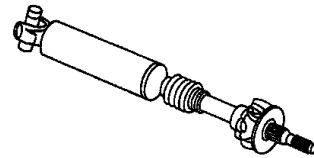
**003-100**  
Rear Axle



**003-200**  
Differential and Housing

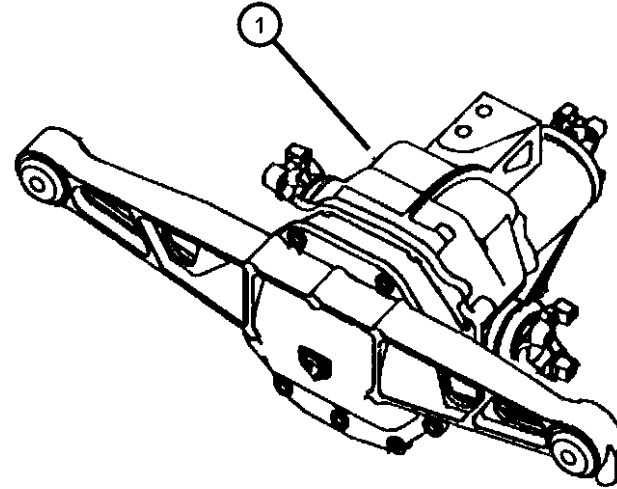


**003-400**  
Rear Axle Shafts



**Differential Assembly, Rear**  
**Figure 3-110**

| ITEM | PART NUMBER | QTY | LINE | SERIES | BODY | ENGINE | TRANS | TRIM | DESCRIPTION                                      |
|------|-------------|-----|------|--------|------|--------|-------|------|--|
| 1    | 04763897AB  | 1   |      |        |      |        |       |      | DIFFERENTIAL, Rear Axle, Rear Complete 3.0 Ratio |



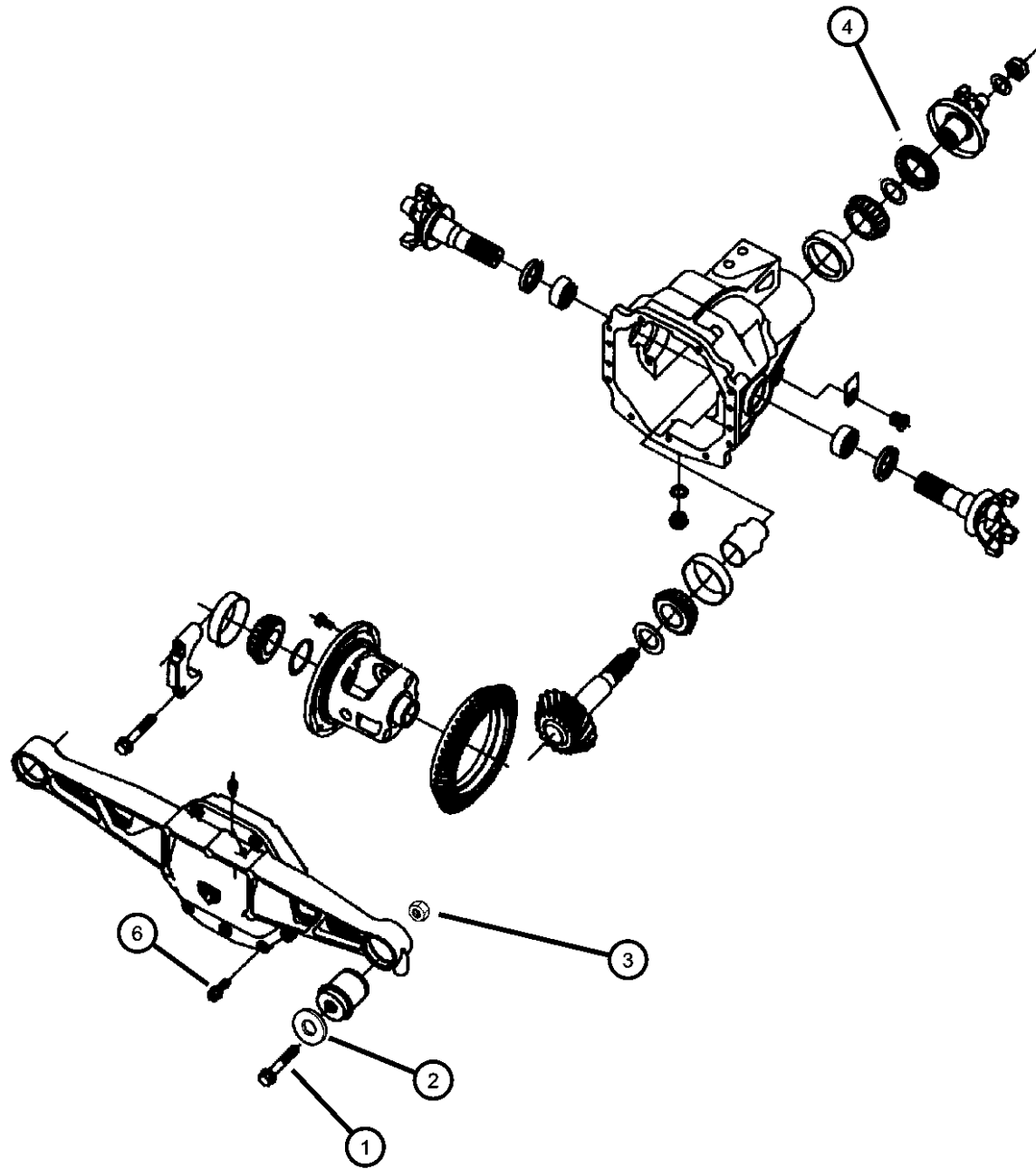
**VIPER GTS COUPE,VIPER RT/10 ROADSTER (SR)**

| SERIES         | LINE      | BODY                  | ENGINE                    | TRANSMISSION                      |
|----------------|-----------|-----------------------|---------------------------|-----------------------------------|
| S = RT/10      | D = DODGE | 27 = 2-DR CONVERTIBLE | EWB = 8.0L V10 SFI Engine | DEC = 6-Speed Manual Transmission |
| S = GTS Coupe  |           | 29 = SPECIALTY COUPE  |                           | DBB = All Manual Transmissions    |
| X = GTS/Lemans |           |                       |                           |                                   |

AR = use ase required - = Non illustrated part

**Differential Assembly, Rear**  
**Figure 3-205**

| ITEM | PART NUMBER | QTY | LINE | SERIES | BODY | ENGINE | TRANS | TRIM | DESCRIPTION                         |
|------|-------------|-----|------|--------|------|--------|-------|------|-------------------------------------|
| 1    | 06100468    | 2   |      |        |      |        |       |      | BOLT, Hex Head, M16x95              |
| 2    | 06100887    | 2   |      |        |      |        |       |      | WASHER, Flat, M15.02x28x2.8         |
| 3    | 06100520    | 2   |      |        |      |        |       |      | NUT, Hex Flange Head Locking, M14x2 |
| 4    | 04384188    | 1   |      |        |      |        |       |      | SEAL, Drive Pinion, Oil Front       |
| -5   | 04626710    | 1   |      |        |      |        |       |      | PLUG, Differential Housing, (Fill)  |
| 6    | 04626709    | 9   |      |        |      |        |       |      | BOLT, Differential Cover            |



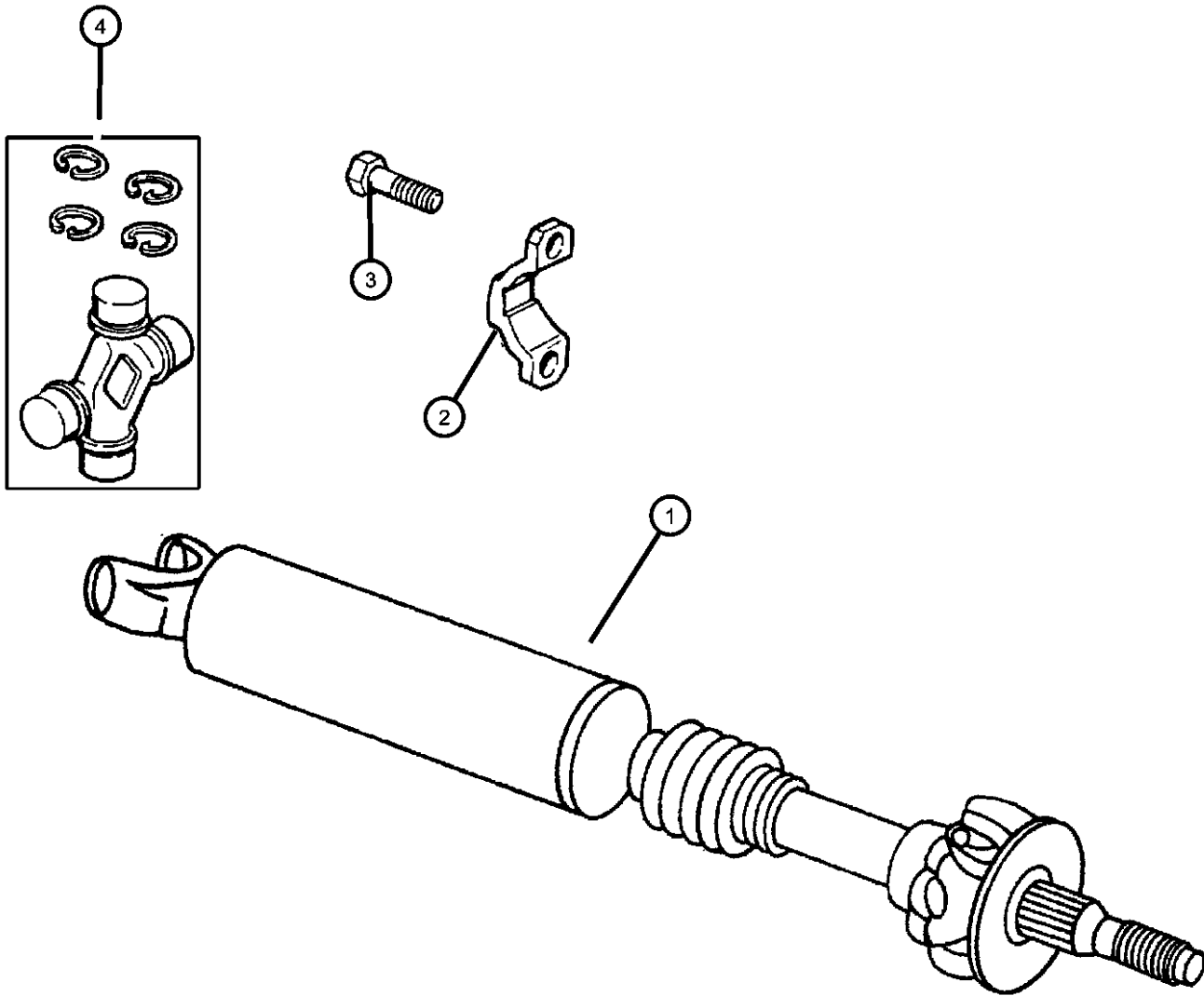
**VIPER GTS COUPE,VIPER RT/10 ROADSTER (SR)**

| SERIES         | LINE      | BODY                  | ENGINE                    | TRANSMISSION                      |
|----------------|-----------|-----------------------|---------------------------|-----------------------------------|
| S = RT/10      | D = DODGE | 27 = 2-DR CONVERTIBLE | EWB = 8.0L V10 SFI Engine | DEC = 6-Speed Manual Transmission |
| S = GTS Coupe  |           | 29 = SPECIALTY COUPE  |                           | DBB = All Manual Transmissions    |
| X = GTS/Lemans |           |                       |                           |                                   |

AR = use ase required - = Non illustrated part

Shaft, Rear Axle  
Figure 3-405

| ITEM | PART NUMBER | QTY | LINE | SERIES | BODY | ENGINE | TRANS | TRIM | DESCRIPTION                         |
|------|-------------|-----|------|--------|------|--------|-------|------|-------------------------------------|
| 1    | 04763676    | 2   |      |        |      |        |       |      | SHAFT, Axle Half, Rear Axle         |
| 2    | 04428723    | 6   |      |        |      |        |       |      | CLAMP, U-Joint                      |
| 3    | 06502581    | 12  |      |        |      |        |       |      | BOLT, Hex Flange Head,<br>M8x1.0x19 |
| 4    | 04797307    | 2   |      |        |      |        |       |      | U JOINT, Inner                      |



VIPER GTS COUPE,VIPER RT/10 ROADSTER (SR)

|                |           |                       |                           |                                   |
|----------------|-----------|-----------------------|---------------------------|-----------------------------------|
| SERIES         | LINE      | BODY                  | ENGINE                    | TRANSMISSION                      |
| S = RT/10      | D = DODGE | 27 = 2-DR CONVERTIBLE | EWB = 8.0L V10 SFI Engine | DEC = 6-Speed Manual Transmission |
| S = GTS Coupe  |           | 29 = SPECIALTY COUPE  |                           | DBB = All Manual Transmissions    |
| X = GTS/Lemans |           |                       |                           |                                   |

AR = use ase required - = Non illustrated part

1997 SR



# Group - 4

## Parking Brake

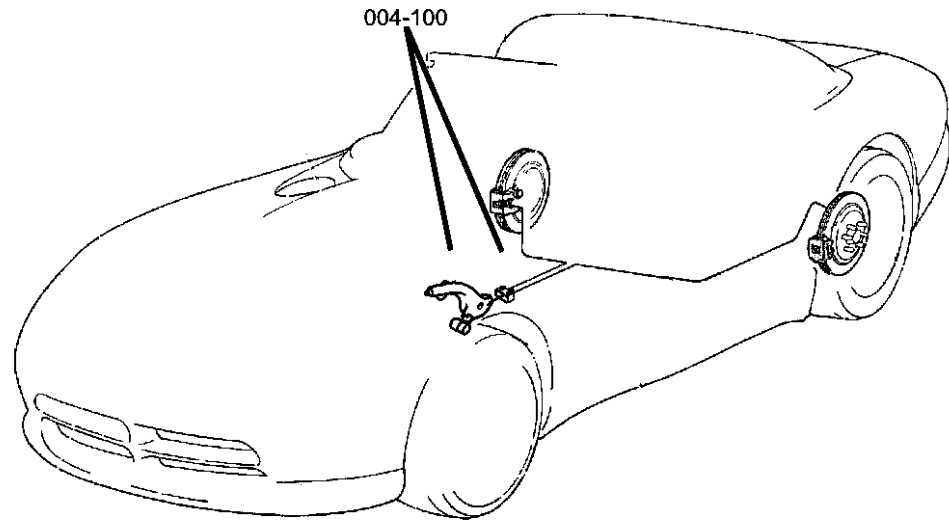
### Group - 4 Parking Brake

Group-Fig. No.

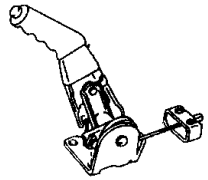
Illustration Title

#### Parking Brake Lever and Cables

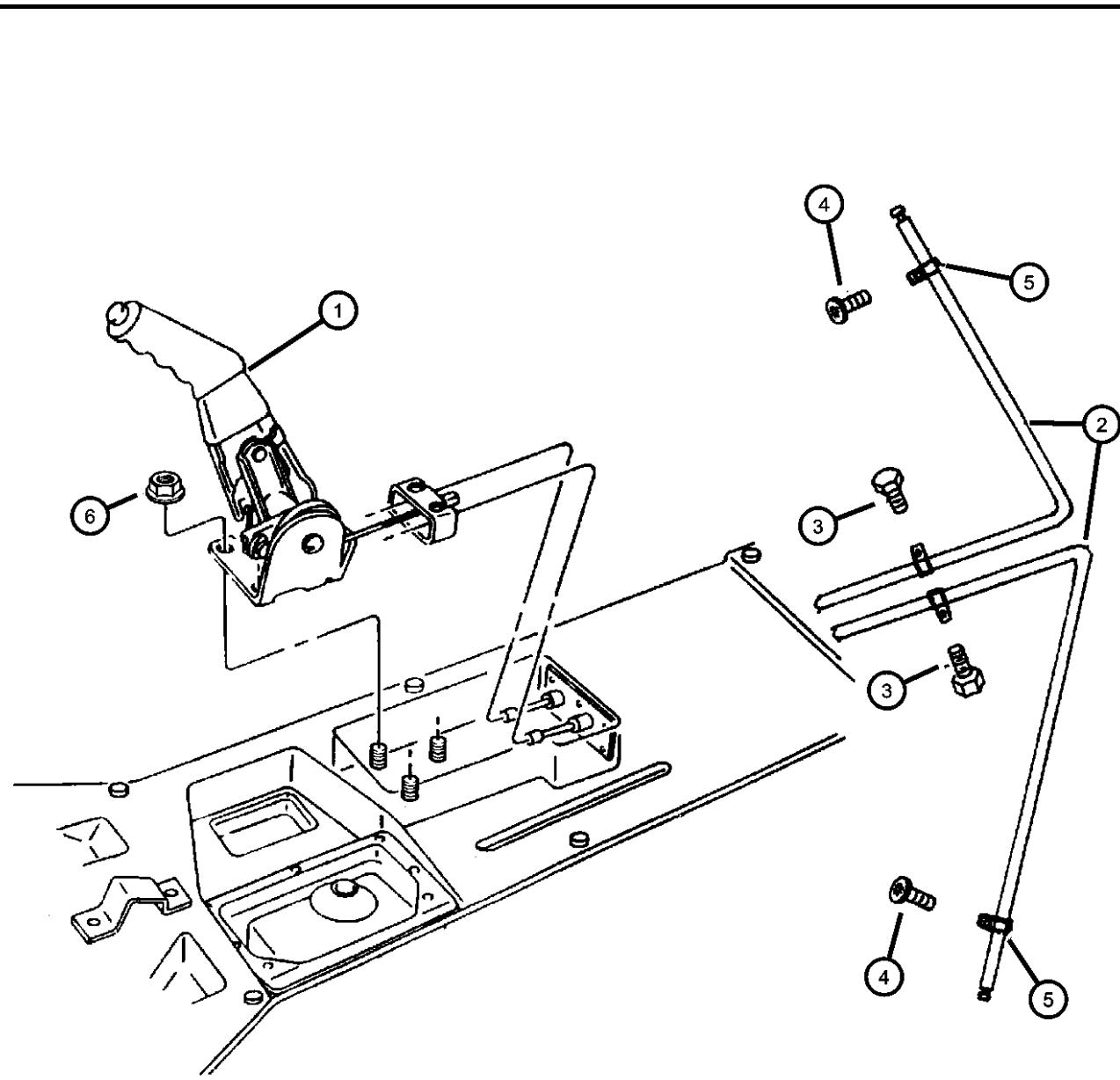
Lever Assembly And Cables Parking Brake ..... Fig. 4 - 110



**004-100**  
Parking Brake Lever and Cables



**Lever Assembly And Cables Parking Brake  
Figure 4-110**



| ITEM | PART NUMBER | QTY | LINE | SERIES | BODY | ENGINE | TRANS | TRIM | DESCRIPTION                                     |
|------|-------------|-----|------|--------|------|--------|-------|------|---|
| 1    |             |     |      |        |      |        |       |      | LEVER, Park Brake                               |
|      | 0PS531KA    | 1   |      |        | 29   |        |       |      | Carmel Tan                                      |
|      |             | 1   |      |        | 27   |        |       |      | Carmel Tan                                      |
|      | 0PS53SB4    | 1   |      |        | 27   |        |       |      | Bright Blue                                     |
|      |             | 1   |      |        | 29   |        |       |      | Bright Blue                                     |
|      | 0PS53SR1    | 1   |      |        | 29   |        |       |      | Red   |
|      | 0PS53SX9    | 1   |      |        | 27   |        |       |      | Flat Black                                      |
|      |             | 1   |      |        | 29   |        |       |      | Flat Black                                      |
| 2    | 04763181    | 2   |      |        |      |        |       |      | CABLE, Parking Brake                            |
| 3    | 06035135    | 2   |      |        |      |        |       |      | SCREW, .250-14x.875                             |
| 4    | 06100575    | 2   |      |        |      |        |       |      | BOLT AND CONED WASHER, Hex Head, M8x25x17       |
| 5    | 06100575    | 2   |      |        |      |        |       |      | CLIP, (Serviced in Item #2) ***, (NOT SERVICED) |
| 6    | 06101445    | 2   |      |        |      |        |       |      | NUT AND WASHER, Hex Nut-Coned Washer, M8 x 1.25 |

**VIPER GTS COUPE,VIPER RT/10 ROADSTER (SR)**

|                |           |                       |                           |                                   |
|----------------|-----------|-----------------------|---------------------------|-----------------------------------|
| SERIES         | LINE      | BODY                  | ENGINE                    | TRANSMISSION                      |
| S = RT/10      | D = DODGE | 27 = 2-DR CONVERTIBLE | EWB = 8.0L V10 SFI Engine | DEC = 6-Speed Manual Transmission |
| S = GTS Coupe  |           | 29 = SPECIALTY COUPE  |                           | DBB = All Manual Transmissions    |
| X = GTS/Lemans |           |                       |                           |                                   |

AR = use ase required - = Non illustrated part

# Group - 5

## Service Brakes

### Group - 5 Service Brakes

Group-Fig. No.

Illustration Title

#### Front Brakes

Brakes, Front ..... Fig. 5 - 110

#### Rear Brakes

Brakes, Rear..... Fig. 5 - 210

#### Power Brake Booster

Booster, Power Brake..... Fig. 5 - 310

#### Brake Master Cylinder

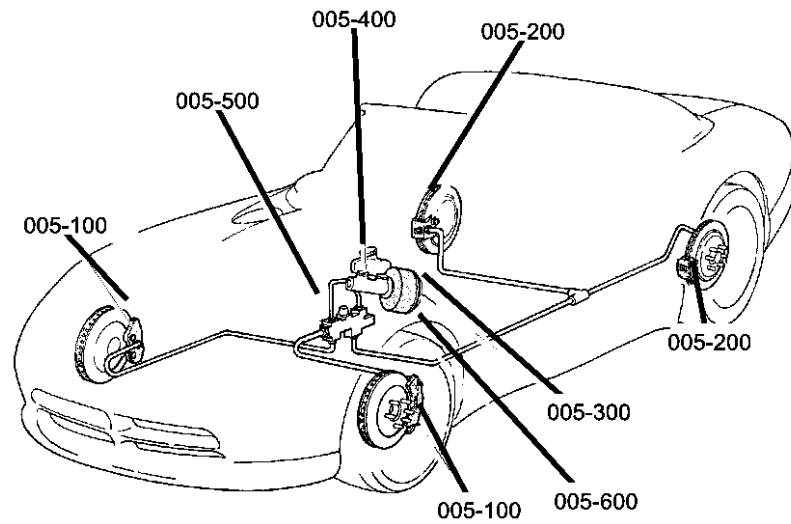
Master Cylinder, Brake..... Fig. 5 - 410

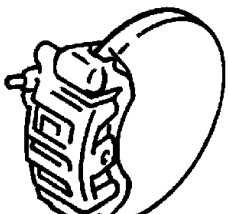
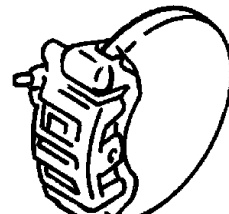
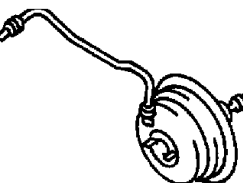
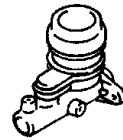
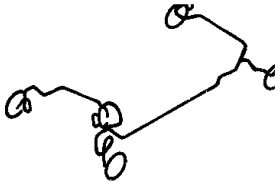

#### Brake Lines and Hoses

Lines And Hoses, Brake ..... Fig. 5 - 510

#### Brake Pedals

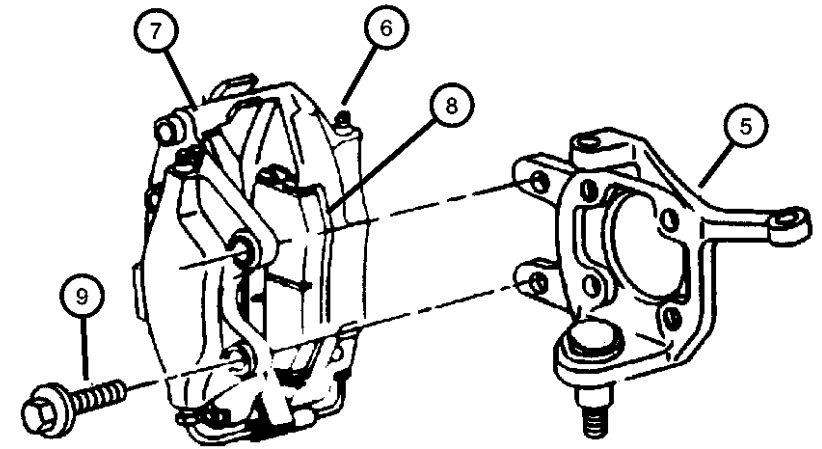
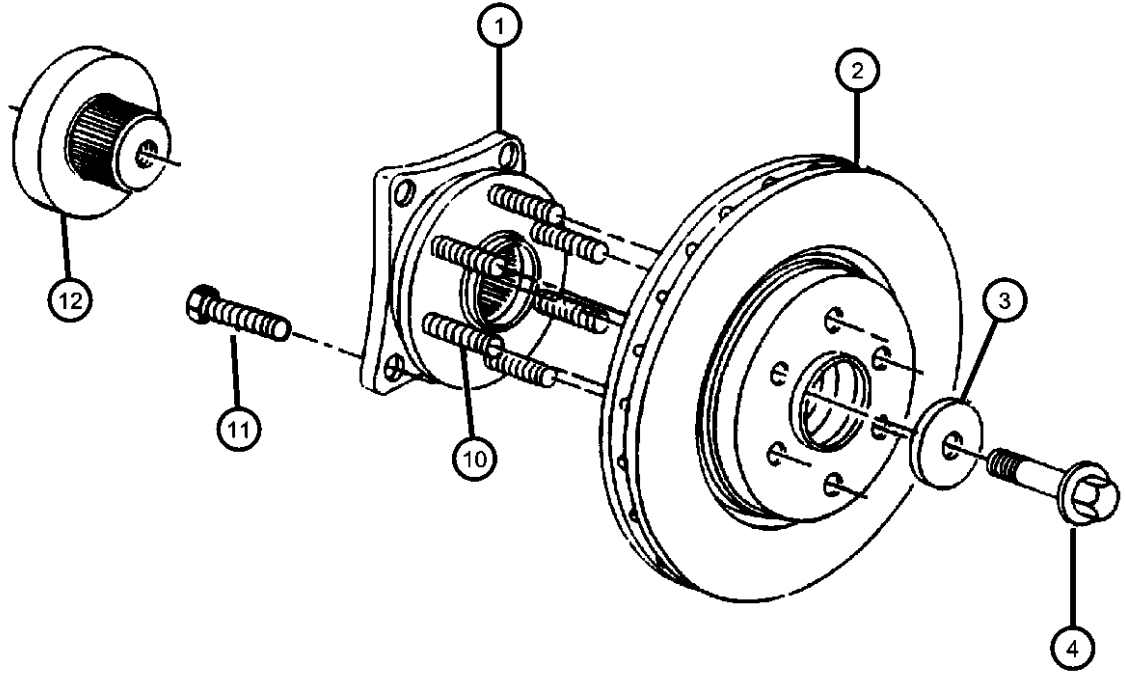
Pedal, Brake..... Fig. 5 - 610



|  |  |  |   |
|--|--|--|---|
| <p><b>005-100</b><br/>Front Brakes</p>           | <p><b>005-200</b><br/>Rear Brakes</p>   | <p><b>005-300</b><br/>Power Brake Booster</p>  | <p><b>005-400</b><br/>Brake Master Cylinder</p>  |
| <p><b>005-500</b><br/>Brake Lines and Hoses</p>  | <p><b>005-600</b><br/>Brake Pedals</p>  |  |   |

Brakes, Front  
Figure 5-110

| ITEM | PART NUMBER | QTY | LINE | SERIES | BODY | ENGINE | TRANS | TRIM | DESCRIPTION   |
|------|-------------|-----|------|--------|------|--------|-------|------|---|
| 1    | 04763182    | 1   |      |        |      |        |       |      | BEARING, Suspension Trailing, with Hub                      |
| 2    | 04642122    | 2   |      |        |      |        |       |      | ROTOR, Brake, Vented  |
| 3    | 04642122    | 2   |      |        |      |        |       |      | WASHER, Flat (Not Serv.), (NOT SERVICED)                    |
| 4    | 04642122    | 2   |      |        |      |        |       |      | BOLT, Hex Head (Not Serv.), (NOT SERVICED)                  |
| 5    |             |     |      |        |      |        |       |      | KNUCKLE, Front  |
|      | 04709303    | 1   |      |        |      |        |       |      | Left  |
|      | 04709304    | 1   |      |        |      |        |       |      | Right   |
| 6    | 04720990    | 1   |      |        |      |        |       |      | BLEEDER SCREW PKG, BRAKE                                    |
| 7    |             |     |      |        |      |        |       |      | CALIPER, Disc Brake   |
|      | 04723572    | 1   |      |        |      |        |       |      | Left  |
|      | 04723573    | 1   |      |        |      |        |       |      | Right   |
| 8    | 04897218AA  | 1   |      |        |      |        |       |      | PAD KIT, Front Disc Brake, with PIN and CLIP PACKAGE        |
| 9    | 06101964    | 4   |      |        |      |        |       |      | SCREW AND WASHER, Hex Head, M12x1.75x40, Caliper to Knuckle |
| 10   | 06033702    | 6   |      |        |      |        |       |      | BOLT, D Head, .50-20x2.00                                   |
| 11   | 06502136    | 3   |      |        |      |        |       |      | BOLT, Hex Flange Head, M10x1.50x55                          |
| 12   | 06502294    | 2   |      |        |      |        |       |      | NUT, Hex Flange, M22x1.25, Wheel Bearing Clamp              |
| -13  | 04848166    | 1   |      |        |      |        |       |      | GASKET, Front Wheel Bearing                                 |

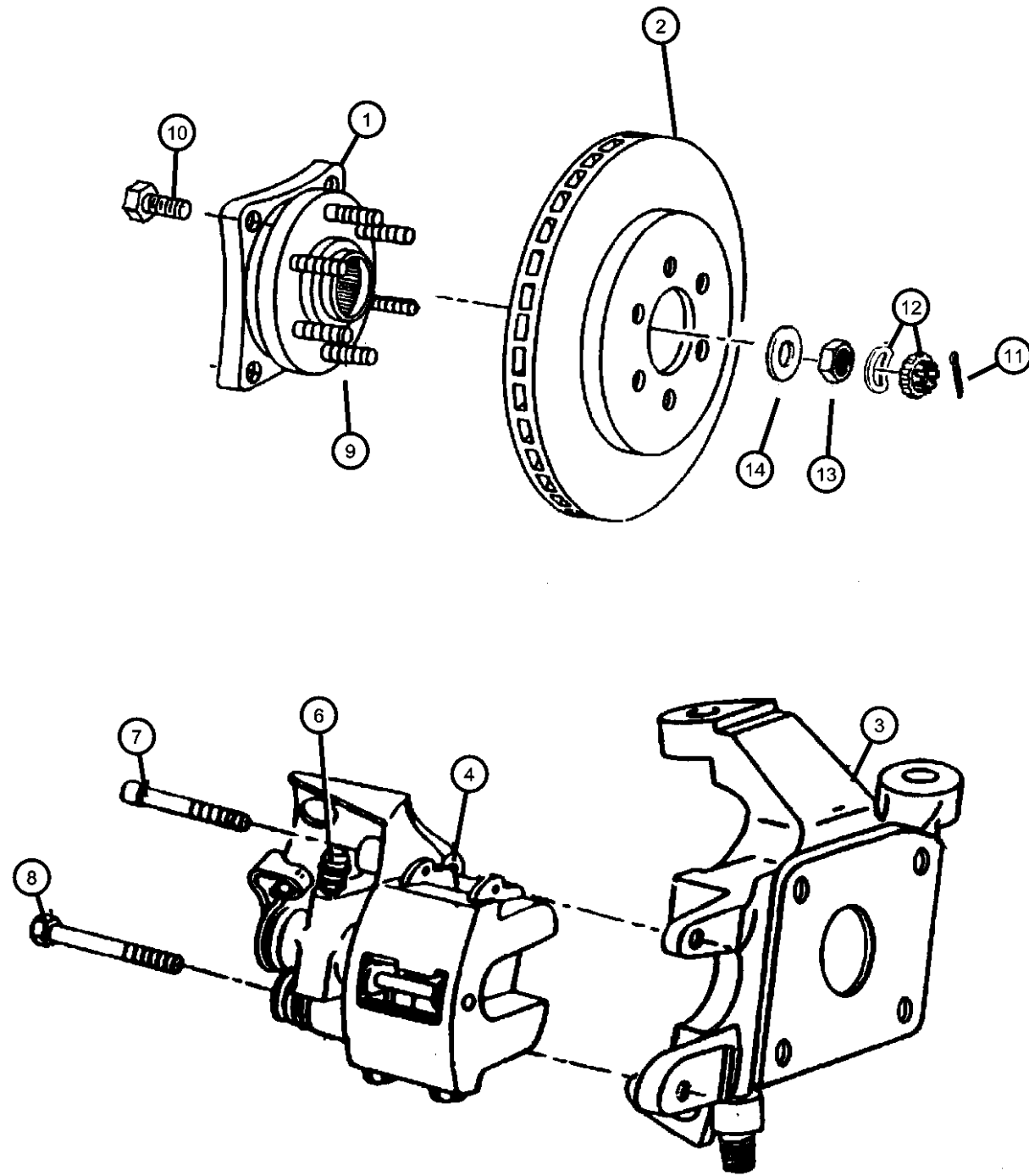


VIPER GTS COUPE,VIPER RT/10 ROADSTER (SR)

| SERIES         | LINE      | BODY                  | ENGINE                    | TRANSMISSION                      |
|----------------|-----------|-----------------------|---------------------------|-----------------------------------|
| S = RT/10      | D = DODGE | 27 = 2-DR CONVERTIBLE | EWB = 8.0L V10 SFI Engine | DEC = 6-Speed Manual Transmission |
| S = GTS Coupe  |           | 29 = SPECIALTY COUPE  |                           | DBB = All Manual Transmissions    |
| X = GTS/Lemans |           |                       |                           |                                   |

AR = use ase required - = Non illustrated part

Brakes, Rear  
Figure 5-210



| ITEM | PART NUMBER | QTY | LINE | SERIES | BODY | ENGINE | TRANS | TRIM | DESCRIPTION   |
|------|-------------|-----|------|--------|------|--------|-------|------|---|
| 1    | 04848716    | 1   |      |        |      |        |       |      | HUB AND BEARING, Brake                                  |
| 2    | 04642353    | 2   |      |        |      |        |       |      | ROTOR, Brake, Rear Brake Vented                         |
| 3    |             |     |      |        |      |        |       |      | KNUCKLE, Rear   |
|      | 04709281    | 1   |      |        |      |        |       |      | Left  |
|      | 04709282    | 1   |      |        |      |        |       |      | Right   |
| 4    |             |     |      |        |      |        |       |      | CALIPER, Disc Brake                                     |
|      | 04723606    | 1   |      |        |      |        |       |      | Right   |
|      | 04723607    | 1   |      |        |      |        |       |      | Left  |
| -5   | 04897219AA  | 1   |      |        |      |        |       |      | PAD KIT, Rear Disc Brake, with Pin and Clip Package     |
| 6    | 04720990    | 1   |      |        |      |        |       |      | BLEEDER SCREW PKG, BRAKE                                |
| 7    | 34202857    | 2   |      |        |      |        |       |      | SCREW, Socket Head, M8x1.25x60, Caliper Mounting        |
| 8    | 34202858    | 2   |      |        |      |        |       |      | BOLT, Hex Head, M10x1.25x80, Caliper Mounting           |
| 9    | 06033702    | 6   |      |        |      |        |       |      | BOLT, D Head, .50-20x2.00                               |
| 10   | 06035642    | 4   |      |        |      |        |       |      | SCREW AND WASHER, Hex Head Locking, .50-20x2.25 Grade 8 |
| 11   | 06500336    | 2   |      |        |      |        |       |      | PIN, Cotter, M5x36.00                                   |
| 12   | 04293167    | 2   |      |        |      |        |       |      | NUT AND WASHER PACKAGE, Front Hub                       |
| 13   | 06502294    | 1   |      |        |      |        |       |      | NUT, Hex Flange, M22x1.25, (Axle Shaft Hub)             |
| 14   | 06502293    | 2   |      |        |      |        |       |      | WASHER, Flat, M23x43x4                                  |
| -15  | 04723459    | 1   |      |        |      |        |       |      | PLATE, Brake Torque                                     |

VIPER GTS COUPE,VIPER RT/10 ROADSTER (SR)

| SERIES         | LINE      | BODY                  | ENGINE                    | TRANSMISSION                      |
|----------------|-----------|-----------------------|---------------------------|-----------------------------------|
| S = RT/10      | D = DODGE | 27 = 2-DR CONVERTIBLE | EWB = 8.0L V10 SFI Engine | DEC = 6-Speed Manual Transmission |
| S = GTS Coupe  |           | 29 = SPECIALTY COUPE  |                           | DBB = All Manual Transmissions    |
| X = GTS/Lemans |           |                       |                           |                                   |

AR = use ase required - = Non illustrated part

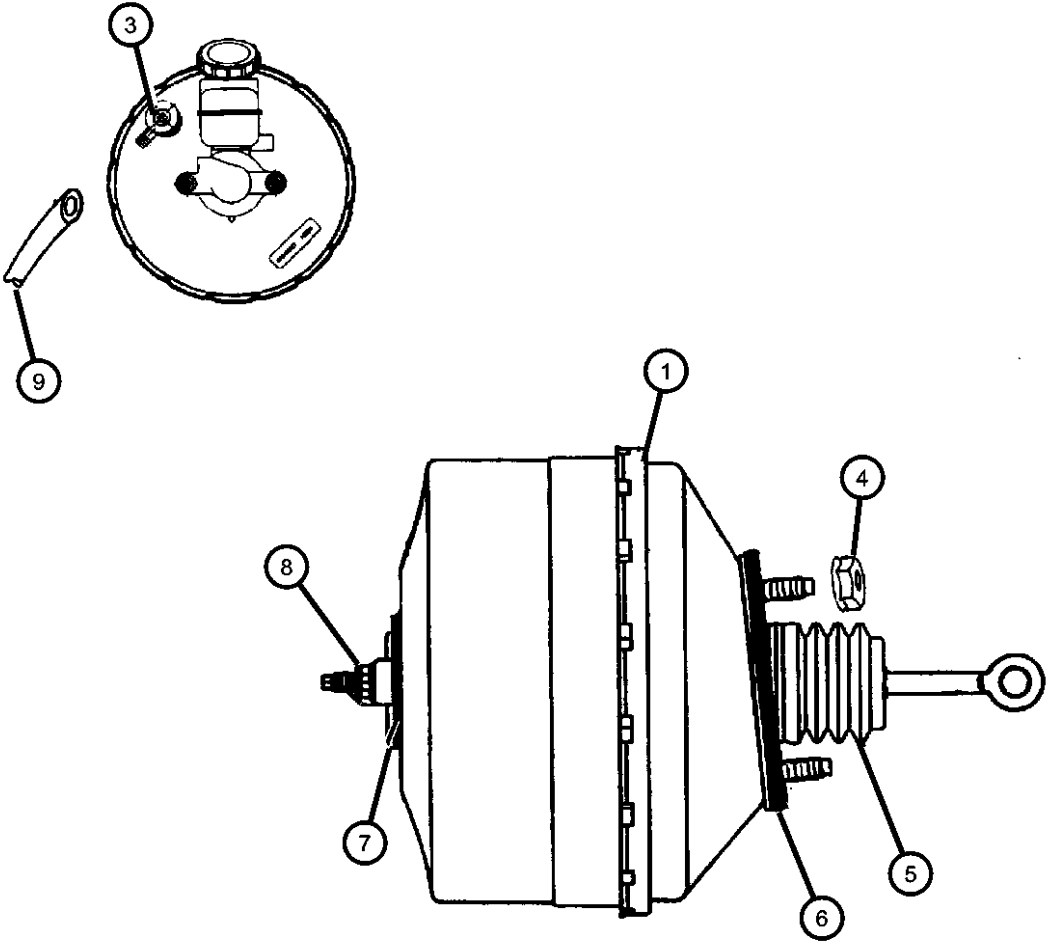
Booster, Power Brake

Figure 5-310

| ITEM | PART NUMBER | QTY | LINE | SERIES | BODY | ENGINE | TRANS | TRIM | DESCRIPTION |
|------|-------------|-----|------|--------|------|--------|-------|------|-------------|
|------|-------------|-----|------|--------|------|--------|-------|------|-------------|

Sales Code EWB= 8.0L V10 SFI

|    |          |    |  |  |  |  |  |  |  |
|----|----------|----|--|--|--|--|--|--|--|
| 1  | 04763952 | 1  |  |  |  |  |  |  | BOOSTER, Power Brake                             |
| -2 | 04723640 | AR |  |  |  |  |  |  | GROMMET, Brake Booster Check Valve               |
| 3  | 04723391 | 1  |  |  |  |  |  |  | VALVE, Brake Booster Check                       |
| 4  | 06101445 | 2  |  |  |  |  |  |  | NUT AND WASHER, Hex Nut-Coned Washer, M8 x 1.25  |
| 5  | 04294158 | 1  |  |  |  |  |  |  | BOOT, Brake Booster Push Rod                     |
| 6  | 04723642 | AR |  |  |  |  |  |  | SEAL, Brake Booster To Dash                      |
| 7  | 04723395 | 1  |  |  |  |  |  |  | GASKET, Brake Master Cylinder, M/Cyl. to Booster |
| 8  | 06502524 | 1  |  |  |  |  |  |  | NUT, Hex Lock, M8x1.25                           |
| 9  | 04848345 | 1  |  |  |  |  |  |  | HOSE, Vacuum Supply, 11/32 rough stock           |



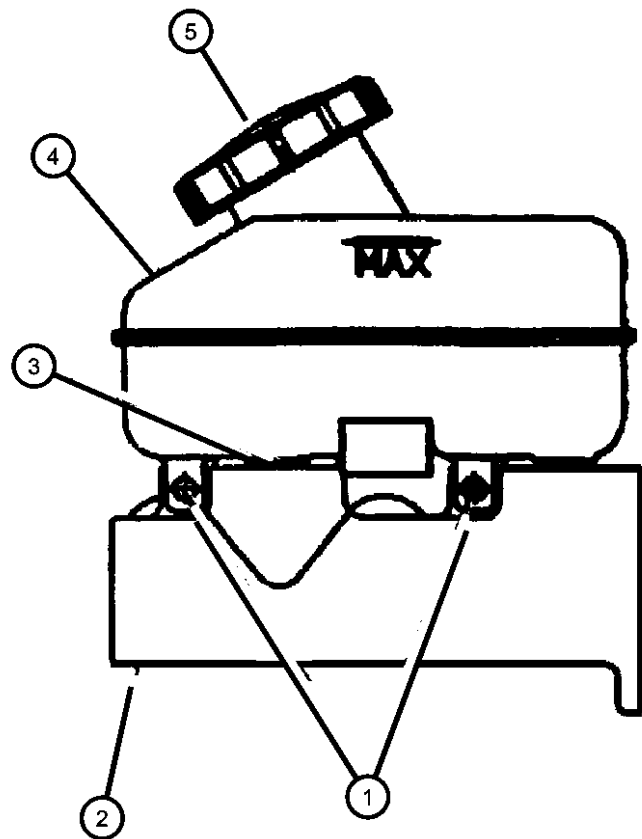
VIPER GTS COUPE,VIPER RT/10 ROADSTER (SR)

| SERIES         | LINE      | BODY                  | ENGINE                    | TRANSMISSION                      |
|----------------|-----------|-----------------------|---------------------------|-----------------------------------|
| S = RT/10      | D = DODGE | 27 = 2-DR CONVERTIBLE | EWB = 8.0L V10 SFI Engine | DEC = 6-Speed Manual Transmission |
| S = GTS Coupe  |           | 29 = SPECIALTY COUPE  |                           | DBB = All Manual Transmissions    |
| X = GTS/Lemans |           |                       |                           |                                   |

AR = use ase required - = Non illustrated part

**Master Cylinder, Brake  
Figure 5-410**

| ITEM | PART NUMBER | QTY | LINE | SERIES | BODY | ENGINE | TRANS | TRIM | DESCRIPTION                        |
|------|-------------|-----|------|--------|------|--------|-------|------|------------------------------------|
| 1    | 04723394    | 1   |      |        |      |        |       |      | PIN, Master Cylinder Reservoir     |
| 2    | 04642548    | 1   |      |        |      |        |       |      | MASTER CYLINDER, Brake             |
| 3    | 04723389    | 1   |      |        |      |        |       |      | GROMMET, Master Cylinder Reservoir |
| 4    | 04723387    | AR  |      |        |      |        |       |      | RESERVOIR, Brake Master Cylinder   |
| 5    | 04294036    | 1   |      |        |      |        |       |      | CLIP, M/Cyl. Push Rod              |



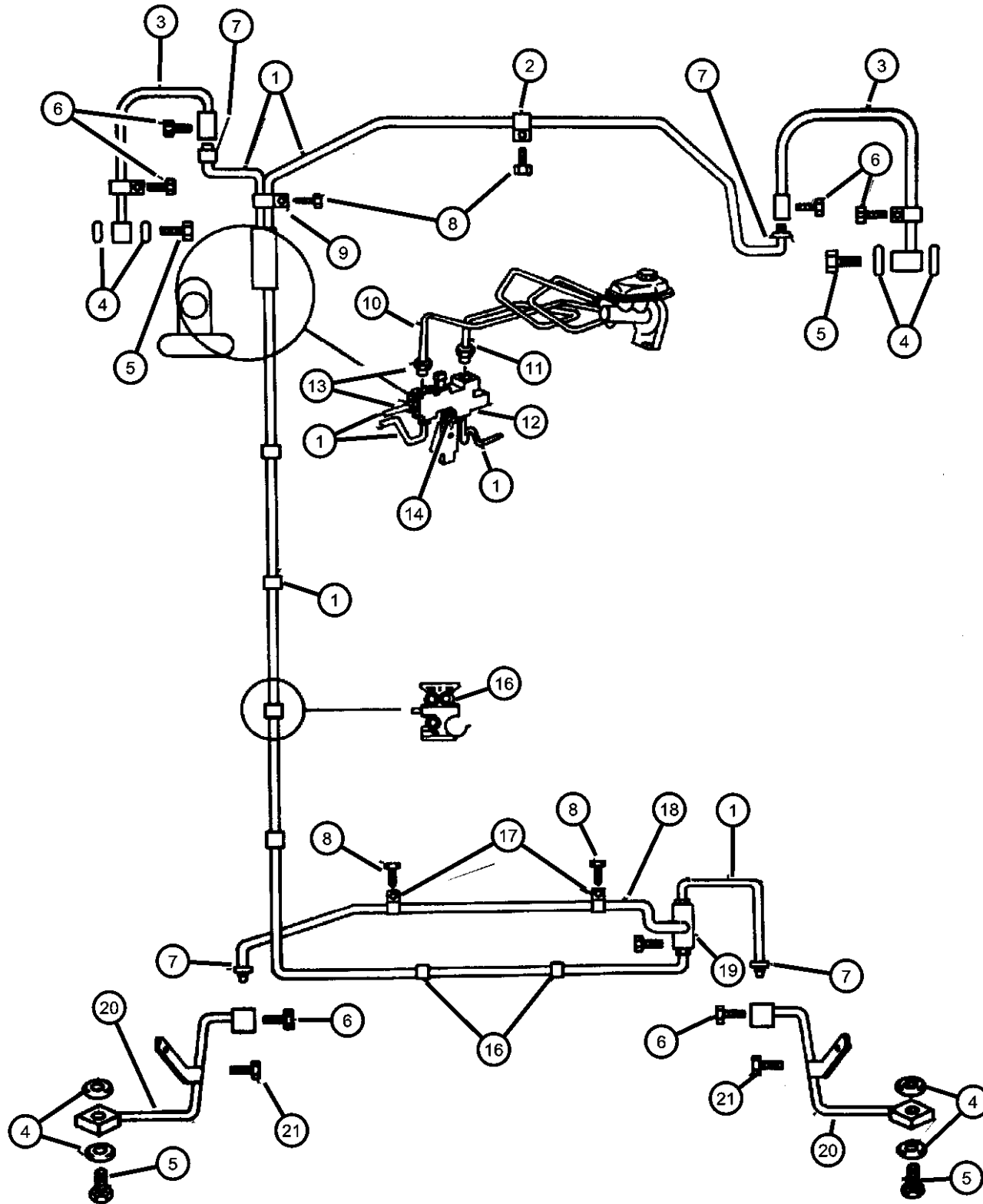
**VIPER GTS COUPE,VIPER RT/10 ROADSTER (SR)**

| SERIES         | LINE      | BODY                  | ENGINE                    | TRANSMISSION                      |
|----------------|-----------|-----------------------|---------------------------|-----------------------------------|
| S = RT/10      | D = DODGE | 27 = 2-DR CONVERTIBLE | EWB = 8.0L V10 SFI Engine | DEC = 6-Speed Manual Transmission |
| S = GTS Coupe  |           | 29 = SPECIALTY COUPE  |                           | DBB = All Manual Transmissions    |
| X = GTS/Lemans |           |                       |                           |                                   |

AR = use ase required - = Non illustrated part

1997 SR

Lines And Hoses, Brake  
Figure 5-510



| ITEM | PART NUMBER | QTY | LINE | SERIES | BODY | ENGINE | TRANS | TRIM | DESCRIPTION   |
|------|-------------|-----|------|--------|------|--------|-------|------|---|
| 1    | 01843251    | 1   |      |        |      |        |       |      | TUBE, Steel, .187 25 Foot Roll, Roll Stock  |
| 2    | 02207919    | 1   |      |        |      |        |       |      | CLIP, Parking Brake Cable, Front Brake Tube   |
| 3    |             |     |      |        |      |        |       |      | HOSE, Front Wheel Disc  |
|      | 04763154    | 1   |      |        |      |        |       |      | Right   |
|      | 04763155    | 1   |      |        |      |        |       |      | Left  |
| 4    | 06502114    | 8   |      |        |      |        |       |      | WASHER, Brake Hose, to Caliper  |
| 5    | 06503805    | 4   |      |        |      |        |       |      | BOLT, Hex Head, M10x1.0x21.75, Brake Hose to Caliper  |
| 6    | 06100575    | 1   |      |        |      |        |       |      | BOLT AND CONED WASHER, Hex Head, M8x25x17   |
| 7    | 06034881    | 1   |      |        |      |        |       |      | NUT, Inverted Flare, .375-24  |
| 8    | 06035135    | 2   |      |        |      |        |       |      | SCREW, .250-14x.875   |
| 9    | 03404625    | 1   |      |        |      |        |       |      | CLIP, Tube, Front Brake Tubes   |
| 10   | 04848445    | 1   |      |        |      |        |       |      | TUBE, Brake, M/Cyl. to Prop. Valve, Primary   |
| 11   | 04848443    | 1   |      |        |      |        |       |      | TUBE, Brake, M/Cyl. to Prop. Valve, Secondary   |
| 12   | 04848532AB  | 1   |      |        |      |        |       |      | VALVE, Proportioning  |
| 13   | 06034862    | 1   |      |        |      |        |       |      | NUT, Inverted Flare, .50-20x.625, Brake Tube to Valve                                       |
| 14   | 06100151    | 1   |      |        |      |        |       |      | BOLT, Hex Head, M8x14, Valve and Bracket Mounting   |
| -15  | 06100047    | 1   |      |        |      |        |       |      | NUT AND WASHER, Hex Nut-Coned Washer, M6 x 1.00, Valve Mounting Bolt                        |
| 16   | 52017741    | 5   |      |        |      |        |       |      | CLIP, Fuel Bundle, Brake and Fuel Tubes   |
| 17   | 04683653    | 2   |      |        |      |        |       |      | CLIP, Tube, Rear Brake Tube   |
| 18   | 04709068    | AR  |      |        |      |        |       |      | TUBE, Brake, Rear Brake   |
| 19   | 01141472    | 1   |      |        |      |        |       |      | TEE, Brake Tube, Front to Rear Brake Tubes  |
| 20   |             |     |      |        |      |        |       |      | HOSE, Brake   |
|      | 04642230    | 1   |      |        |      |        |       |      | Right   |
|      | 04642231    | 1   |      |        |      |        |       |      | Left  |
| 21   | 06502746    | 2   |      |        |      |        |       |      | SCREW AND WASHER, Hex Head Header Point, M10x1x14, Brake Hose Bracket to Caliper(Rea r) *** |

VIPER GTS COUPE,VIPER RT/10 ROADSTER (SR)

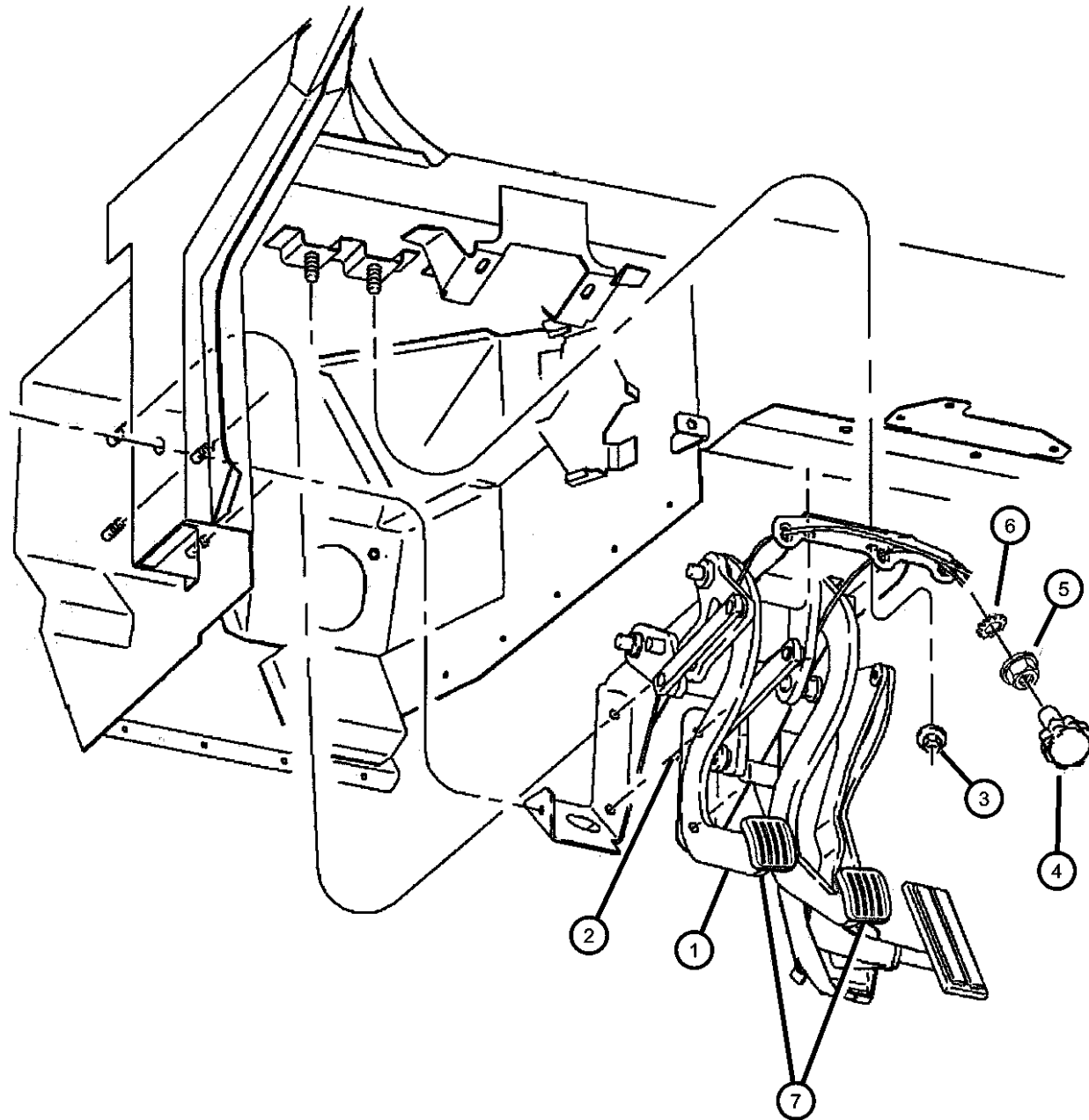
| SERIES         | LINE      | BODY                  | ENGINE                    | TRANSMISSION                      |
|----------------|-----------|-----------------------|---------------------------|-----------------------------------|
| S = RT/10      | D = DODGE | 27 = 2-DR CONVERTIBLE | EWB = 8.0L V10 SFI Engine | DEC = 6-Speed Manual Transmission |
| S = GTS Coupe  |           | 29 = SPECIALTY COUPE  |                           | DBB = All Manual Transmissions    |
| X = GTS/Lemans |           |                       |                           |                                   |

AR = use ase required - = Non illustrated part



Pedal, Brake  
Figure 5-610

| ITEM | PART NUMBER | QTY | LINE | SERIES | BODY | ENGINE | TRANS | TRIM | DESCRIPTION  |
|------|-------------|-----|------|--------|------|--------|-------|------|--|
| 1    | 04763022AB  | 1   |      |        |      |        |       |      | PEDAL, Brake, Clutch, and Accelerator, Brake       |
| 2    | 04294036    | 1   |      |        |      |        |       |      | CLIP, M/Cylinder Push Rod to Pedal                 |
| 3    | 06101467    | 2   |      |        |      |        |       |      | NUT, Hex Flange, M8x1.25                           |
| 4    | 04897163AA  | 1   |      |        |      |        |       |      | KNOB, BRAKE AND CLUTCH, ADJUSTING, Pedal Adjusting |
| 5    | 06100516    | 2   |      |        |      |        |       |      | NUT, Hex Flange Lock, M6 Phosphate, M6x1.00        |
| 6    | 06100516    | 2   |      |        |      |        |       |      | WASHER, (NOT SERVICED)                             |
| 7    | 04708285    | 2   |      |        |      |        |       |      | PAD, Brake Pedal                                   |



VIPER GTS COUPE,VIPER RT/10 ROADSTER (SR)

| SERIES         | LINE      | BODY                  | ENGINE                    | TRANSMISSION                      |
|----------------|-----------|-----------------------|---------------------------|-----------------------------------|
| S = RT/10      | D = DODGE | 27 = 2-DR CONVERTIBLE | EWB = 8.0L V10 SFI Engine | DEC = 6-Speed Manual Transmission |
| S = GTS Coupe  |           | 29 = SPECIALTY COUPE  |                           | DBB = All Manual Transmissions    |
| X = GTS/Lemans |           |                       |                           |                                   |

AR = use ase required - = Non illustrated part

1997 SR

# Group - 6

## Clutch

### Group - 6 Clutch

Illustration Title

Group-Fig. No.

#### Clutch

Clutch, (EWB) ..... Fig. 6 - 110

#### Clutch Housing

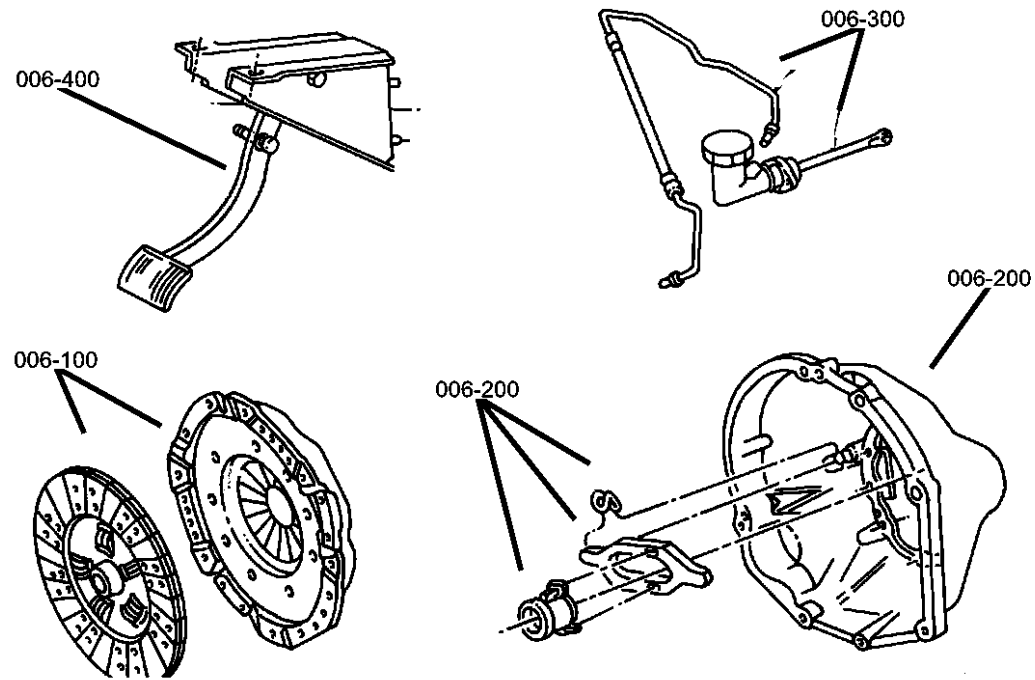
Clutch Housing ..... Fig. 6 - 210

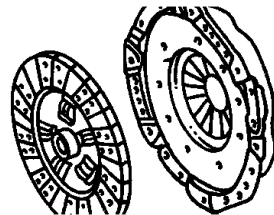
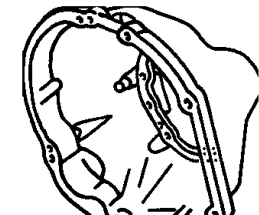
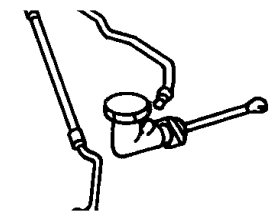
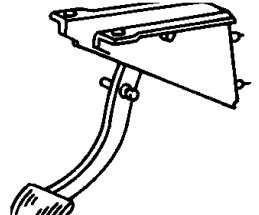
#### Clutch Controls

Clutch Actuation System..... Fig. 6 - 310

#### Clutch Pedals

Clutch Pedal ..... Fig. 6 - 410



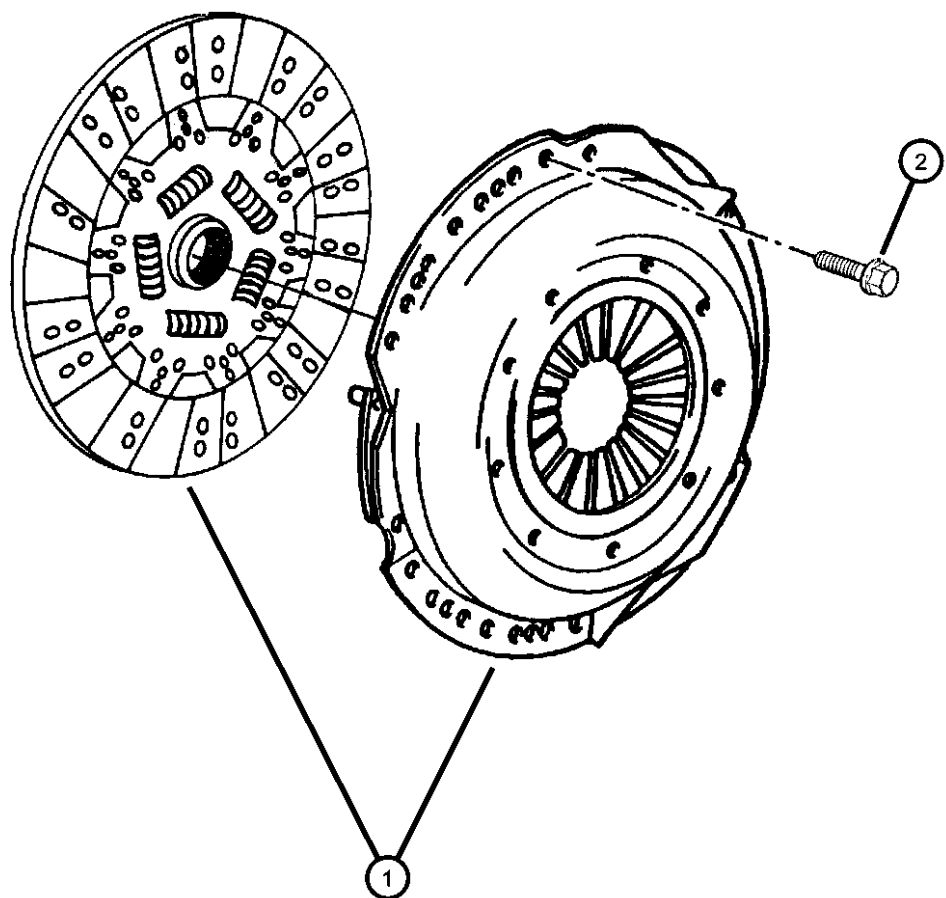
|   |  |  |   |
|---|--|--|---|
| <p><b>006-100</b><br/>Clutch</p>  | <p><b>006-200</b><br/>Clutch Housing</p>  | <p><b>006-300</b><br/>Clutch Controls</p>  | <p><b>006-400</b><br/>Clutch Pedals</p>  |
|---|--|--|---|

Clutch, (EWB)  
Figure 6-110

| ITEM | PART NUMBER | QTY | LINE | SERIES | BODY | ENGINE | TRANS | TRIM | DESCRIPTION |
|------|-------------|-----|------|--------|------|--------|-------|------|-------------|
|------|-------------|-----|------|--------|------|--------|-------|------|-------------|

NOTE: EWB = 8.0L V10

|   |            |   |  |  |  |     |  |  |  |
|---|------------|---|--|--|--|-----|--|--|--|
| 1 | 04848708AC | 1 |  |  |  | EWB |  |  | PLATE, Clutch Pressure, Plate and Disc, Clutch |
| 2 | 06034555   | 8 |  |  |  | EWB |  |  | SCREW, Flange Head, .312-18x1.125              |



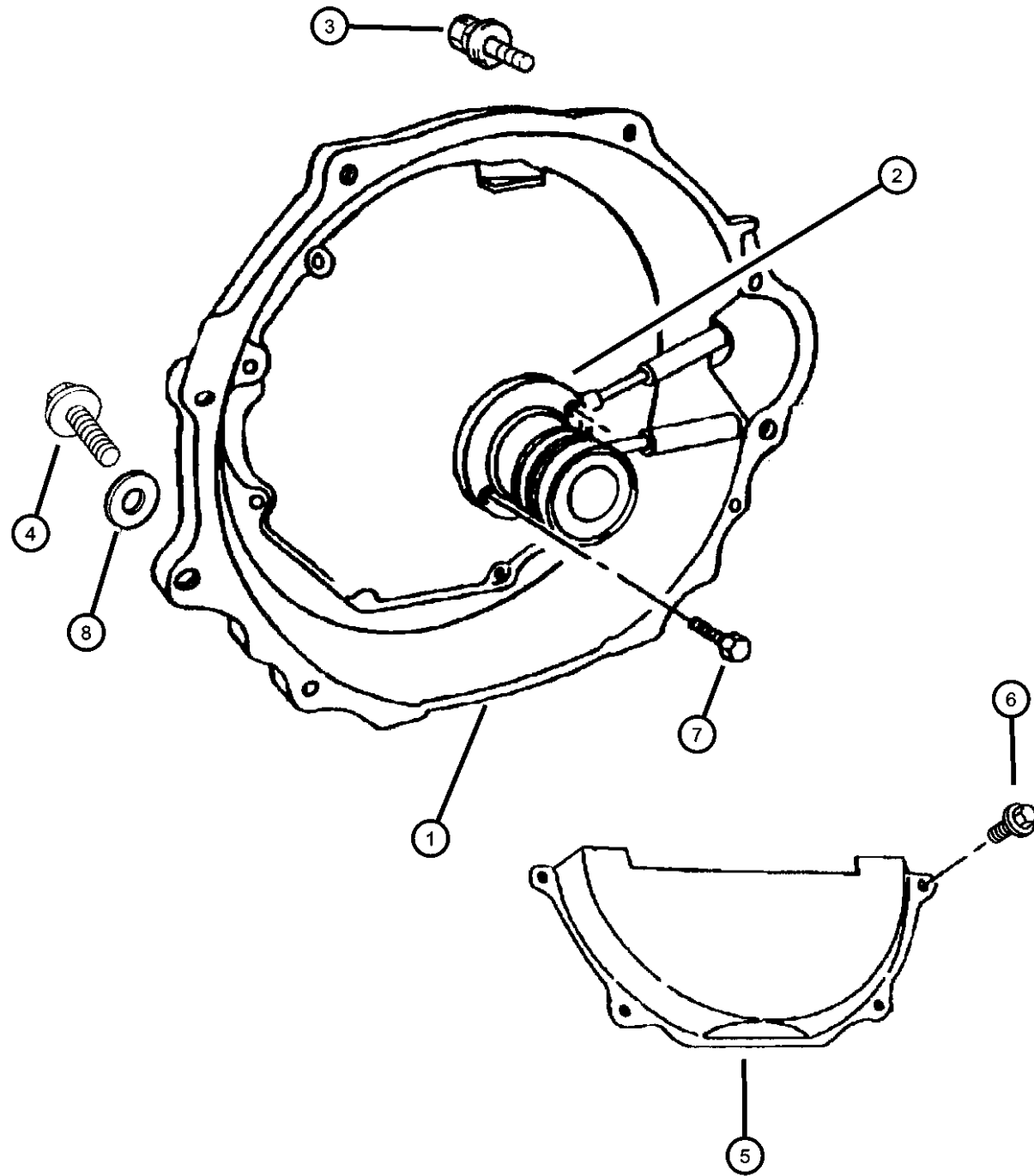
VIPER GTS COUPE,VIPER RT/10 ROADSTER (SR)

| SERIES         | LINE      | BODY                  | ENGINE                    | TRANSMISSION                      |
|----------------|-----------|-----------------------|---------------------------|-----------------------------------|
| S = RT/10      | D = DODGE | 27 = 2-DR CONVERTIBLE | EWB = 8.0L V10 SFI Engine | DEC = 6-Speed Manual Transmission |
| S = GTS Coupe  |           | 29 = SPECIALTY COUPE  |                           | DBB = All Manual Transmissions    |
| X = GTS/Lemans |           |                       |                           |                                   |

AR = use ase required - = Non illustrated part

1997 SR

Clutch Housing  
Figure 6-210



| ITEM                           | PART NUMBER | QTY | LINE | SERIES | BODY | ENGINE | TRANS | TRIM | DESCRIPTION   |
|--------------------------------|-------------|-----|------|--------|------|--------|-------|------|---|
| NOTE: DEC - 6 Spd Manual Trans |             |     |      |        |      |        |       |      |   |
| 1                              | 04626594    | 1   |      |        |      |        | DEC   |      | HOUSING, Clutch   |
| 2                              | 04642581    | 1   |      |        |      |        |       |      | BEARING, Clutch Release, Clutch Concentric Slave                  |
| 3                              | 00181148    | 2   |      |        |      |        |       |      | SCREW, Hex Head, .437-14x2.75, Trans. to Engine Att. .437-14x2.75 |
| 4                              | 00153371    | 4   |      |        |      |        |       |      | BOLT, Hex Head, .375-16x2.25, Trans. to Engine Att. .375-16x2.250 |
| 5                              | 05245010    | 1   |      |        |      |        |       |      | COVER, Transmission Dust, Clutch Housing                          |
| 6                              | 06023092    | 4   |      |        |      |        |       |      | SCREW AND WASHER, Hex Head, .25-20x.50, (.250-20x5.00)            |
| 7                              | 06100296    | 2   |      |        |      |        |       |      | BOLT, Hex Head, (M8x1.25x25.00)                                   |
| 8                              | 09417838    | 2   |      |        |      |        |       |      | WASHER, Flat, ID .484 OD 890 Thk .0710                            |

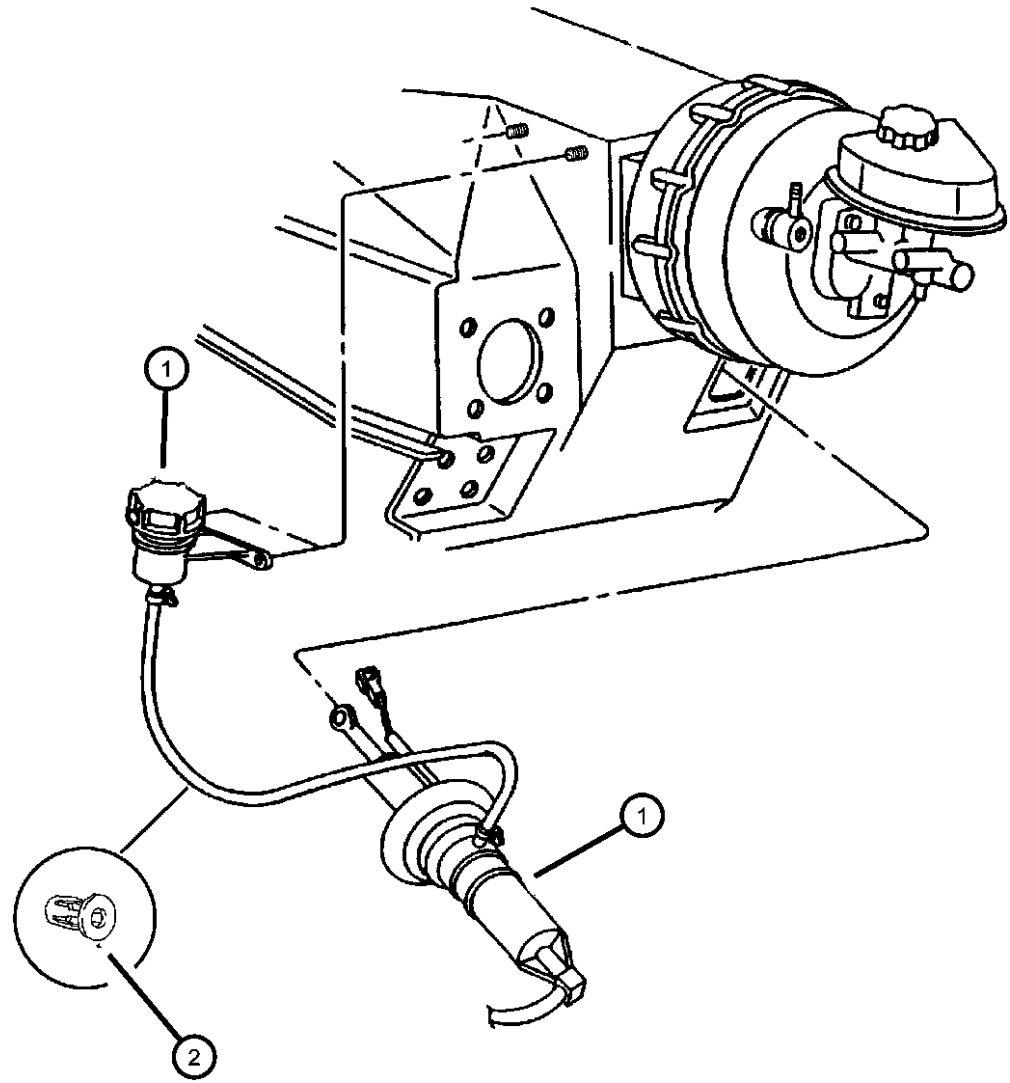
VIPER GTS COUPE,VIPER RT/10 ROADSTER (SR)

| SERIES         | LINE      | BODY                  | ENGINE                    | TRANSMISSION                      |
|----------------|-----------|-----------------------|---------------------------|-----------------------------------|
| S = RT/10      | D = DODGE | 27 = 2-DR CONVERTIBLE | EWB = 8.0L V10 SFI Engine | DEC = 6-Speed Manual Transmission |
| S = GTS Coupe  |           | 29 = SPECIALTY COUPE  |                           | DBB = All Manual Transmissions    |
| X = GTS/Lemans |           |                       |                           |                                   |

AR = use ase required - = Non illustrated part

**Clutch Actuation System  
Figure 6-310**

| ITEM | PART NUMBER | QTY | LINE | SERIES | BODY | ENGINE | TRANS | TRIM | DESCRIPTION  |
|------|-------------|-----|------|--------|------|--------|-------|------|--|
| 1    | 04642666    | 1   |      |        |      |        |       |      | ACTUATOR, Hydraulic Clutch                         |
| 2    | 04643448    | 1   |      |        |      |        |       |      | BUSHING, Hydraulic Clutch Actuator, Self Retaining |



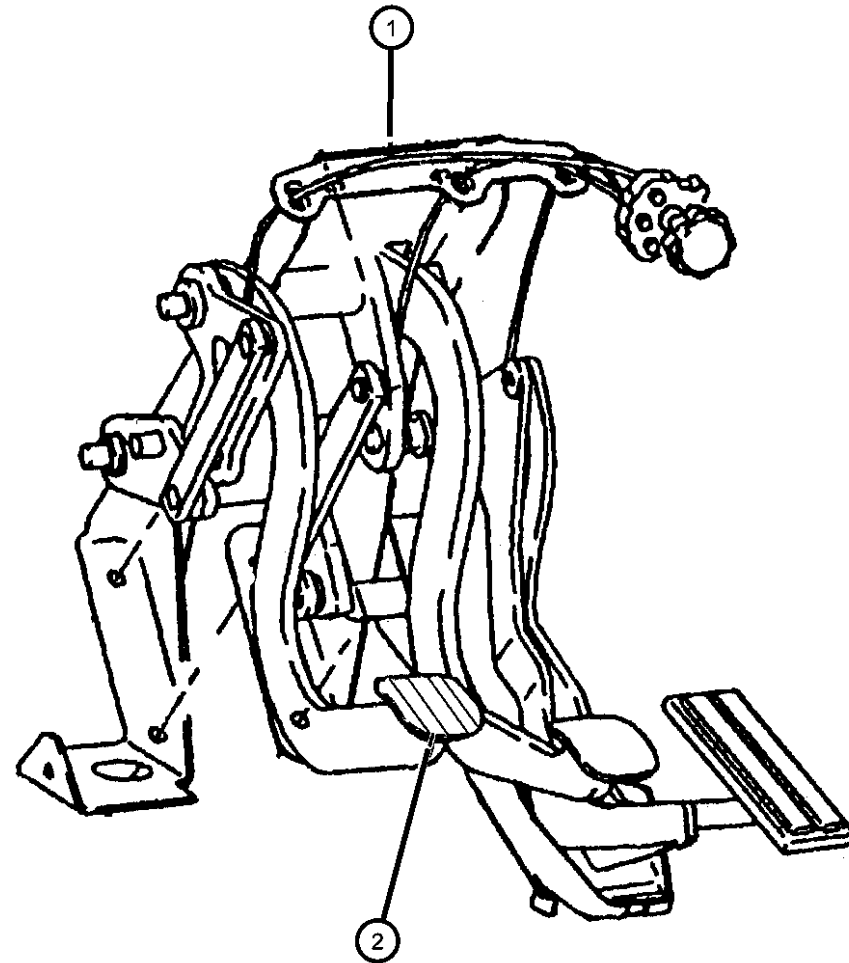
**VIPER GTS COUPE,VIPER RT/10 ROADSTER (SR)**

| SERIES         | LINE      | BODY                  | ENGINE                    | TRANSMISSION                      |
|----------------|-----------|-----------------------|---------------------------|-----------------------------------|
| S = RT/10      | D = DODGE | 27 = 2-DR CONVERTIBLE | EWB = 8.0L V10 SFI Engine | DEC = 6-Speed Manual Transmission |
| S = GTS Coupe  |           | 29 = SPECIALTY COUPE  |                           | DBB = All Manual Transmissions    |
| X = GTS/Lemans |           |                       |                           |                                   |

AR = use ase required - = Non illustrated part

Clutch Pedal  
Figure 6-410

| ITEM | PART NUMBER | QTY | LINE | SERIES | BODY | ENGINE | TRANS | TRIM | DESCRIPTION                           |
|------|-------------|-----|------|--------|------|--------|-------|------|---------------------------------------|
| 1    | 04763022AB  | 1   |      |        |      |        |       |      | PEDAL, Brake, Clutch, and Accelerator |
| 2    | 04708285    | 2   |      |        |      |        |       |      | PAD, Brake Pedal                      |



VIPER GTS COUPE,VIPER RT/10 ROADSTER (SR)

|                |           |                       |                           |                                   |
|----------------|-----------|-----------------------|---------------------------|-----------------------------------|
| SERIES         | LINE      | BODY                  | ENGINE                    | TRANSMISSION                      |
| S = RT/10      | D = DODGE | 27 = 2-DR CONVERTIBLE | EWB = 8.0L V10 SFI Engine | DEC = 6-Speed Manual Transmission |
| S = GTS Coupe  |           | 29 = SPECIALTY COUPE  |                           | DBB = All Manual Transmissions    |
| X = GTS/Lemans |           |                       |                           |                                   |

AR = use ase required - = Non illustrated part

1997 SR

# Group - 7

## Cooling

### Group - 7 Cooling

Illustration Title

Group-Fig. No.

#### Radiator and Related Parts

Radiator And Related Parts ..... Fig. 7 - 110  
 Radiator Air Baffles ..... Fig. 7 - 120

#### Water Pump and Related Parts

Water Pump And Related Parts ..... Fig. 7 - 210

#### Tank, Coolant Engine

Coolant Reserve And Pressurized Coolant Tank ..... Fig. 7 - 310

#### Pulleys and Related Parts

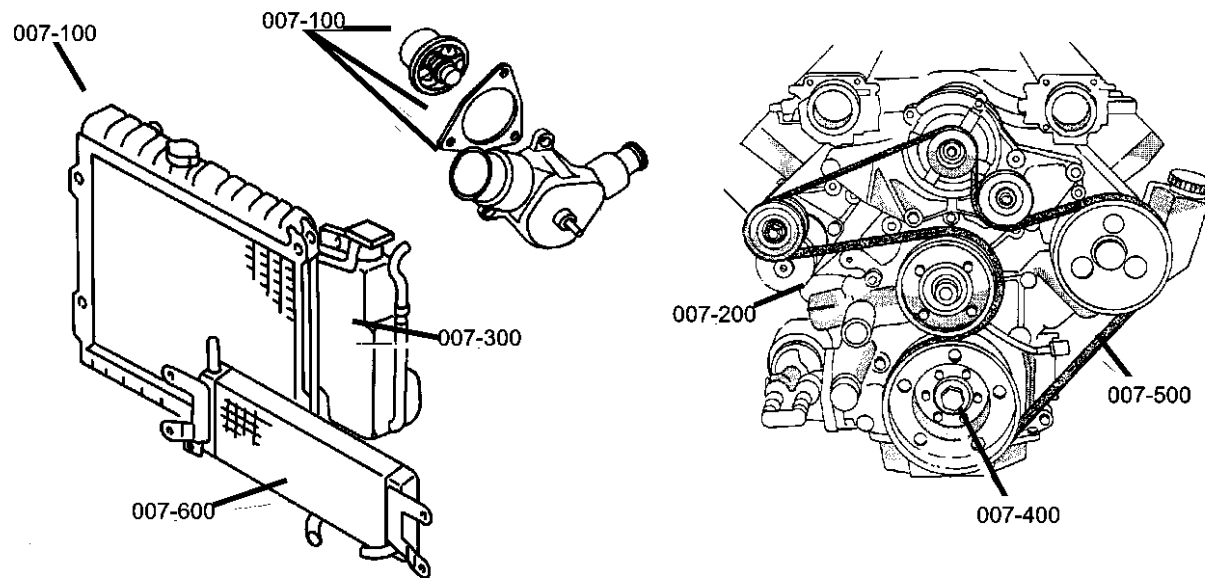
Pulleys, Drive ..... Fig. 7 - 410

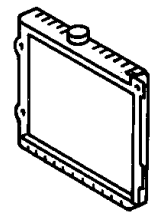
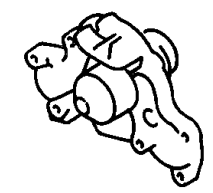
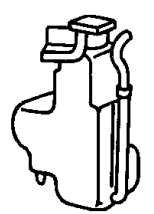

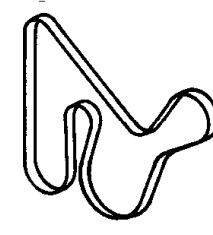
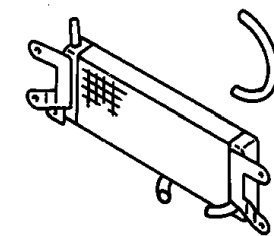
#### Drive Belts

Belts, Drive ..... Fig. 7 - 510

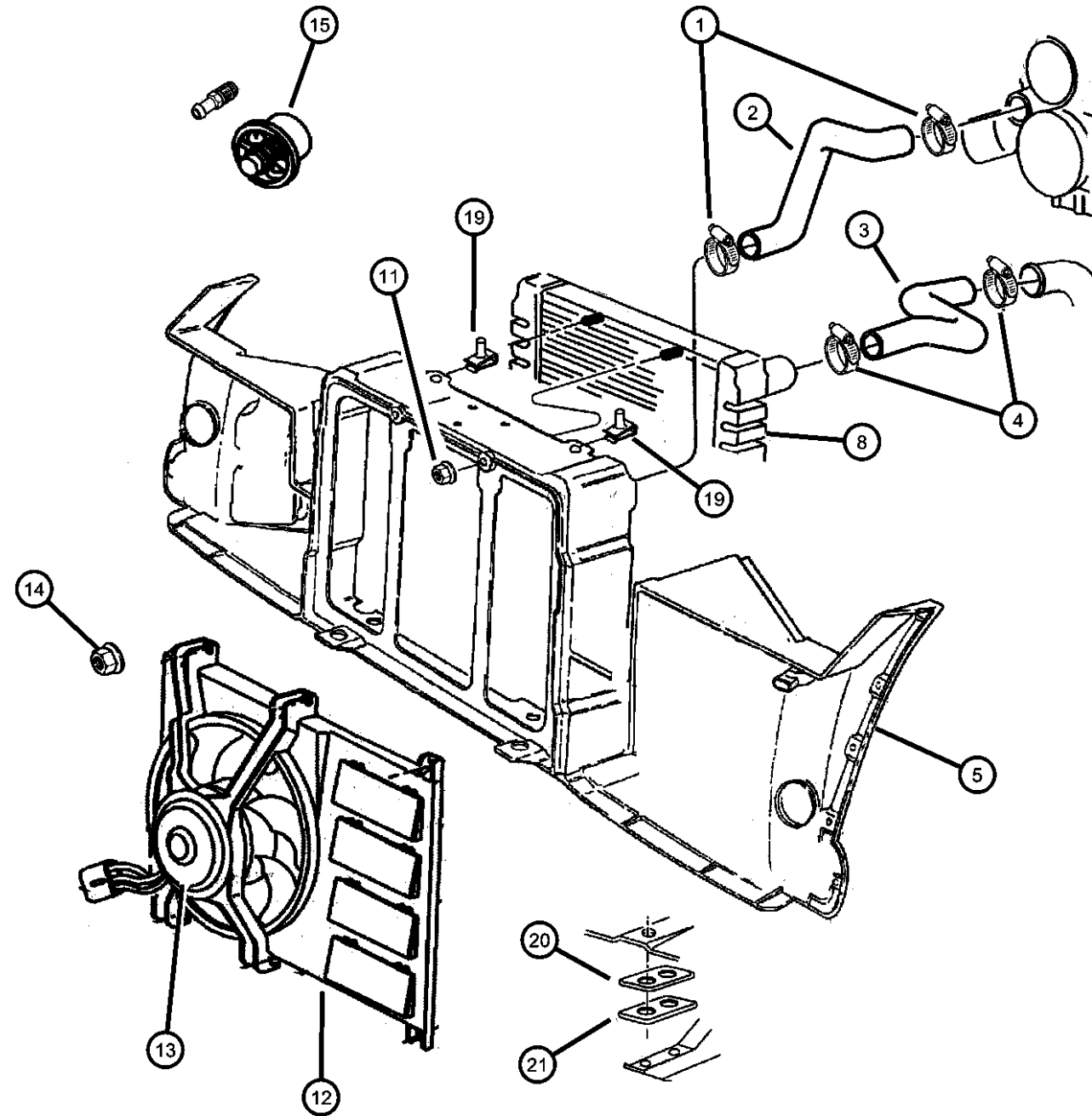
#### Lines, Transmission Oil Cooler

Oil Cooler And Lines ..... Fig. 7 - 610



|  |  |   |   |
|--|--|---|---|
| <p><b>007-100</b><br/>Radiator and Related Parts</p>  | <p><b>007-200</b><br/>Water Pump and Related Parts</p>    | <p><b>007-300</b><br/>Tank, Coolant Engine</p>  | <p><b>007-400</b><br/>Pulleys and Related Parts</p>  |
| <p><b>007-500</b><br/>Drive Belts</p>                  | <p><b>007-600</b><br/>Lines, Transmission Oil Cooler</p>  |   |   |

**Radiator And Related Parts  
Figure 7-110**



| ITEM  | PART NUMBER | QTY | LINE | SERIES | BODY | ENGINE | TRANS | TRIM | DESCRIPTION  |
|---|-------------|-----|------|--------|------|--------|-------|------|--|
| NOTE:<br>Sales Codes:<br>EWB = 8.0L V10 SFI |             |     |      |        |      |        |       |      |  |
| 1   | 06032277    | 2   |      |        |      |        |       |      | CLAMP, Radiator, Hose  |
| 2   | 04763584    | 1   |      |        |      |        |       |      | HOSE, Coolant Reserve Tank, Outlet to Water Pump                   |
| 3   | 04763585    | 1   |      |        |      |        |       |      | HOSE, Coolant Reserve Tank, Thermostat to Inlet                    |
| 4   | 52006750    | 2   |      |        |      |        |       |      | CLAMP, Radiator  |
| 5   | 04709352    | 1   |      |        |      |        |       |      | SHROUD, Fan, Radiator  |
| -6  |             |     |      |        |      |        |       |      | BRACKET, Bulkhead  |
|   | 04709356    | 1   |      |        |      |        |       |      | Right  |
|   | 04709357    | 1   |      |        |      |        |       |      | Left   |
| -7  | 04709366    | AR  |      |        |      |        |       |      | SHIM, Radiator, Support Lower                                      |
| 8   | 04855123    | 1   |      |        |      |        |       |      | RADIATOR, Engine Cooling   |
|   | 04267020AB  |     |      |        |      |        |       |      | Mopar Coolant 3 Year Formula 1 Gallon                              |
| -9  | 04266328    | 2   |      |        |      |        |       |      | ISOLATOR, Radiator, Lower  |
| -10   | 04596198    | 1   |      |        |      |        |       |      | CAP, Pressurized Coolant, Radiator                                 |
| 11  | 34201358    | 2   |      |        |      |        |       |      | NUT AND WASHER, Hex Nut-Sealing Washer, M6 x 1.00                  |
| 12  | 34201358    | 2   |      |        |      |        |       |      | SHIELD, Radiator, , Splash, Serviced in Fan Module, (NOT SERVICED) |
| 13  | 04848630    | 1   |      |        |      |        |       |      | FAN MODULE, Radiator Cooling                                       |
| 14  | 34201358    | 6   |      |        |      |        |       |      | NUT AND WASHER, Hex Nut-Sealing Washer, M6 x 1.00                  |
| 15  | 53041078    | 1   |      |        |      | EWB    |       |      | THERMOSTAT, 195 Degrees  |
| -16   | 04763839    | 1   |      |        |      | EWB    |       |      | GASKET, Thermostat, Thermostat                                     |
| -17   | 04763779    | 1   |      |        |      | EWB    |       |      | HOUSING, Thermostat  |
| -18   | 05245575    | 1   |      |        |      | EWB    |       |      | NIPPLE, Heater Return, Water Return                                |
| 19  | 04848199    | 2   |      |        |      |        |       |      | RETAINER, Radiator Closure, Radiator Closure                       |
| 20  | 04763564    | AR  |      |        |      |        |       |      | SHIM   |
| 21  | 04763565    | AR  |      |        |      |        |       |      | SHIM   |

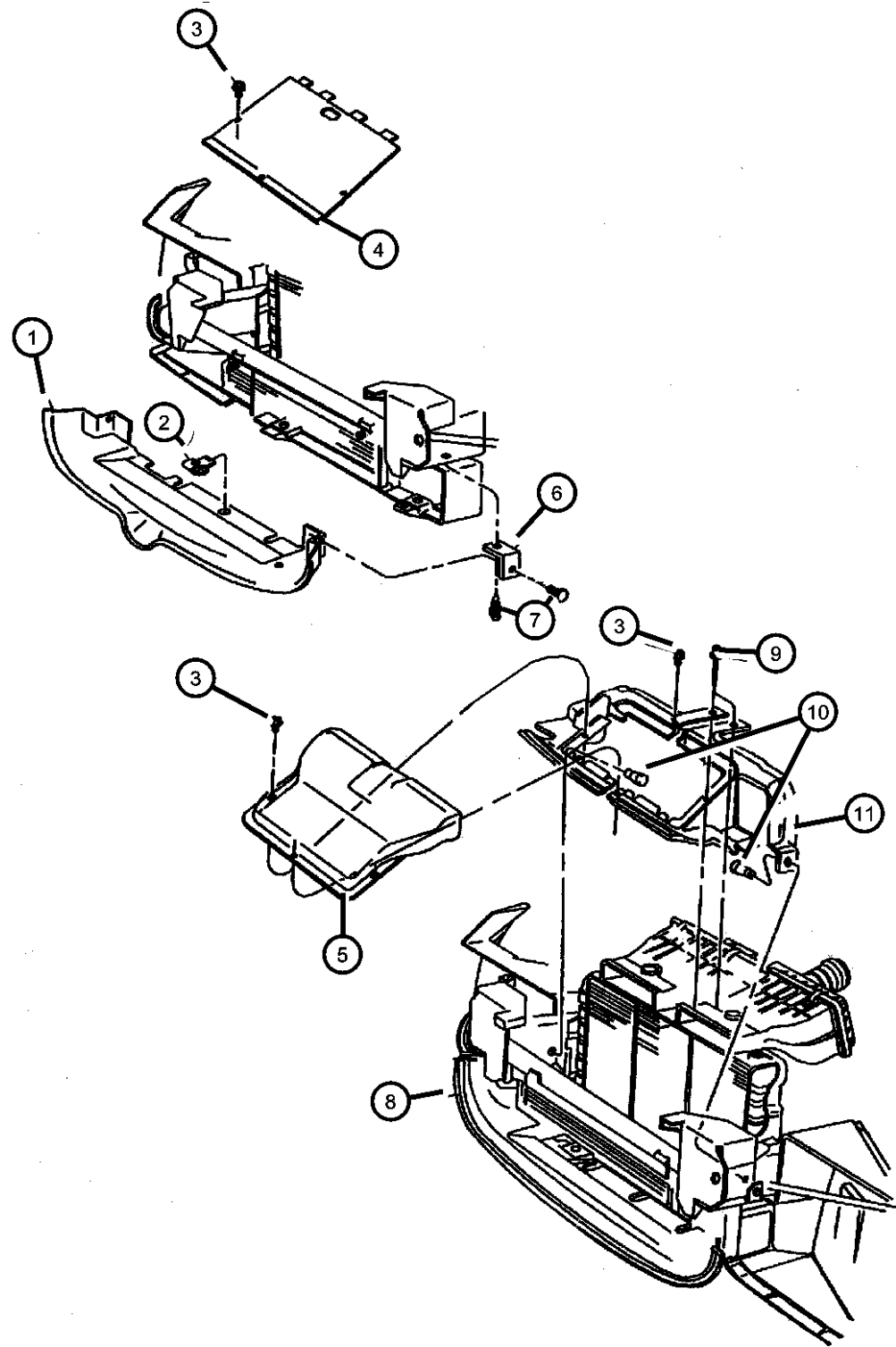
**VIPER GTS COUPE,VIPER RT/10 ROADSTER (SR)**

|                |           |                       |                           |                                   |
|----------------|-----------|-----------------------|---------------------------|-----------------------------------|
| SERIES         | LINE      | BODY                  | ENGINE                    | TRANSMISSION                      |
| S = RT/10      | D = DODGE | 27 = 2-DR CONVERTIBLE | EWB = 8.0L V10 SFI Engine | DEC = 6-Speed Manual Transmission |
| S = GTS Coupe  |           | 29 = SPECIALTY COUPE  |                           | DBB = All Manual Transmissions    |
| X = GTS/Lemans |           |                       |                           |                                   |

AR = use ase required - = Non illustrated part



**Radiator Air Baffles**  
**Figure 7-120**



| ITEM | PART NUMBER | QTY | LINE | SERIES | BODY | ENGINE | TRANS | TRIM | DESCRIPTION |
|------|-------------|-----|------|--------|------|--------|-------|------|-------------|
|------|-------------|-----|------|--------|------|--------|-------|------|-------------|

NOTE:  
 Sales Codes:  
 EWB = 8.0L V10 SFI

|    |          |    |  |  |  |  |  |  |  |
|----|----------|----|--|--|--|--|--|--|--|
| 1  | 04848675 | 1  |  |  |  |  |  |  | BAFFLE, Radiator, Upper Left Air                 |
| 2  | 06029074 | 1  |  |  |  |  |  |  | U-NUT, .25-20                                    |
| 3  | 06100545 | 10 |  |  |  |  |  |  | SCREW AND WASHER, Hex Head, M5x.8x25             |
| 4  | 04848763 | 1  |  |  |  |  |  |  | COVER, Baffle Air Upper, Upper Air Baffle        |
| 5  | 04709361 | 1  |  |  |  |  |  |  | DUCT, Air Filter To Baffle, Air Filter to Baffle |
| 6  | 04848198 | 2  |  |  |  |  |  |  | BRACKET, Radiator, Radiator                      |
| 7  | 06501067 | 4  |  |  |  |  |  |  | PIN, Push, M6.3x20.5, Baffle Att.                |
| 8  | 04848737 | 1  |  |  |  |  |  |  | BAFFLE, Radiator, Lower Air                      |
| 9  | 06502689 | 2  |  |  |  |  |  |  | RIVET, M4.9x16.50                                |
| 10 | 06031321 | 2  |  |  |  |  |  |  | PIN, Retainer, Push                              |
| 11 | 04848675 | 1  |  |  |  |  |  |  | BAFFLE, Radiator, Upper Right Air                |

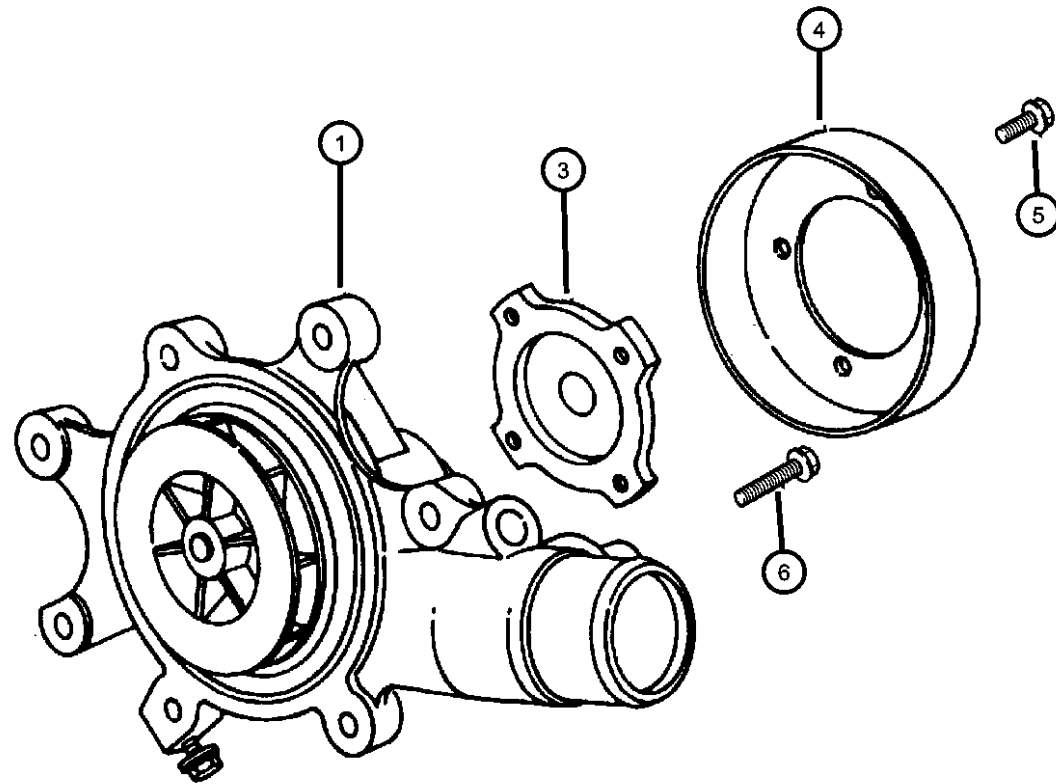
**VIPER GTS COUPE,VIPER RT/10 ROADSTER (SR)**

| SERIES         | LINE      | BODY                  | ENGINE                    | TRANSMISSION                      |
|----------------|-----------|-----------------------|---------------------------|-----------------------------------|
| S = RT/10      | D = DODGE | 27 = 2-DR CONVERTIBLE | EWB = 8.0L V10 SFI Engine | DEC = 6-Speed Manual Transmission |
| S = GTS Coupe  |           | 29 = SPECIALTY COUPE  |                           | DBB = All Manual Transmissions    |
| X = GTS/Lemans |           |                       |                           |                                   |

AR = use ase required - = Non illustrated part

1997 SR

**Water Pump And Related Parts  
Figure 7-210**



| ITEM | PART NUMBER | QTY | LINE | SERIES | BODY | ENGINE | TRANS | TRIM | DESCRIPTION |
|------|-------------|-----|------|--------|------|--------|-------|------|-------------|
|------|-------------|-----|------|--------|------|--------|-------|------|-------------|

NOTE:  
Sales Codes:  
EWB = 8.0L V10 SFI

|    |            |   |  |  |  |     |  |  |   |
|----|------------|---|--|--|--|-----|--|--|---|
| 1  | 04763776AB | 1 |  |  |  | EWB |  |  | PUMP, Water, Water                              |
| -2 | 04763790   | 1 |  |  |  | EWB |  |  | GASKET, Water Pump, Pump                        |
| 3  | 04763790   | 1 |  |  |  |     |  |  | HUB, Water Pump Pulley, (NOT SERVICED)          |
| 4  | 53010221   | 1 |  |  |  | EWB |  |  | PULLEY, Water Pump, Pump                        |
| 5  | 06034530   | 4 |  |  |  | EWB |  |  | SCREW, Hex Head, .312-18x.75, Pulley Att.       |
| 6  | 06035558   | 5 |  |  |  | EWB |  |  | SCREW, Hex Flange Head, .375-16x1.50, Pump Att. |

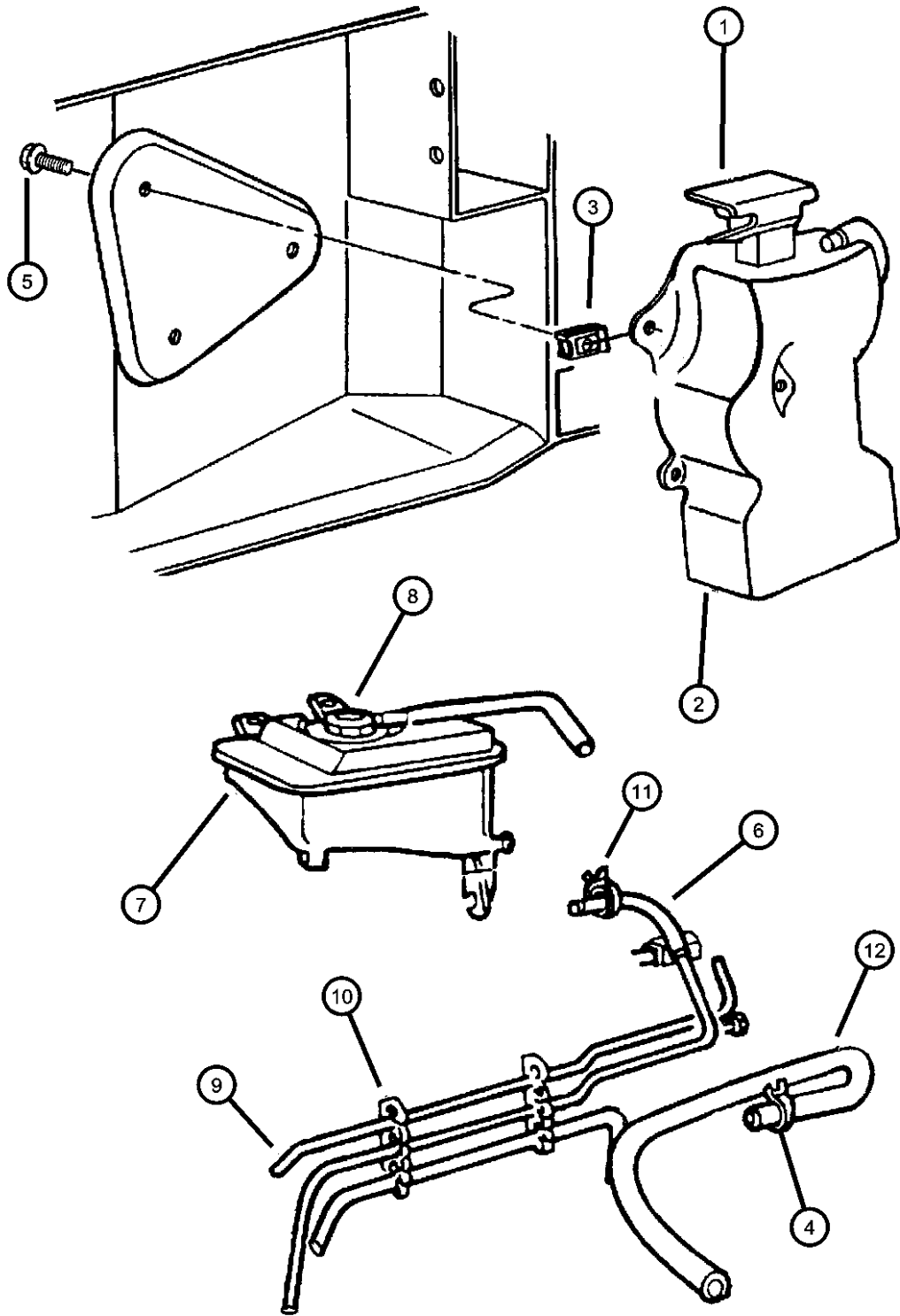
**VIPER GTS COUPE,VIPER RT/10 ROADSTER (SR)**

| SERIES         | LINE      | BODY                  | ENGINE                    | TRANSMISSION                      |
|----------------|-----------|-----------------------|---------------------------|-----------------------------------|
| S = RT/10      | D = DODGE | 27 = 2-DR CONVERTIBLE | EWB = 8.0L V10 SFI Engine | DEC = 6-Speed Manual Transmission |
| S = GTS Coupe  |           | 29 = SPECIALTY COUPE  |                           | DBB = All Manual Transmissions    |
| X = GTS/Lemans |           |                       |                           |                                   |

AR = use ase required - = Non illustrated part

1997 SR

**Coolant Reserve And Pressurized Coolant Tank  
Figure 7-310**



| ITEM | PART NUMBER | QTY | LINE | SERIES | BODY | ENGINE | TRANS | TRIM | DESCRIPTION |
|------|-------------|-----|------|--------|------|--------|-------|------|-------------|
|------|-------------|-----|------|--------|------|--------|-------|------|-------------|

NOTE:  
Sales Codes:  
EWB = 8.0L V10 SFI

|    |          |   |  |  |  |     |  |  |   |
|----|----------|---|--|--|--|-----|--|--|---|
| 1  | 04682828 | 1 |  |  |  |     |  |  | CAP, Coolant Reserve Tank, Reserve Tank           |
| 2  | 52027784 | 1 |  |  |  |     |  |  | TANK, Coolant Reserve, Coolant Reserve            |
| 3  | 52027784 | 1 |  |  |  |     |  |  | U-NUT, (NOT SERVICED)                             |
| 4  | 06502018 | 2 |  |  |  |     |  |  | CLAMP, Hose, M28.9 x 1.60                         |
| 5  | 06502018 | 2 |  |  |  |     |  |  | SCREW, (NOT SERVICED)                             |
| 6  | 05245038 | 1 |  |  |  |     |  |  | HOSE, Coolant Reserve Tank, High Pressure Coolant |
| 7  | 04709389 | 1 |  |  |  |     |  |  | BOTTLE, Pressurized Coolant, Pressurized Coolant  |
| 8  | 04596198 | 1 |  |  |  |     |  |  | CAP, Pressurized Coolant, Tank                    |
| 9  | 05245039 | 1 |  |  |  |     |  |  | TUBE, Coolant Reserve Tank, Low Pressure Coolant  |
| 10 | 04709381 | 2 |  |  |  |     |  |  | CLIP, Hose  |
| 11 | 04592126 | 2 |  |  |  |     |  |  | CLAMP, Hose                                       |
| 12 | 04763877 | 1 |  |  |  | EWB |  |  | HOSE, Coolant Reserve Tank, Tank to Water Pump    |

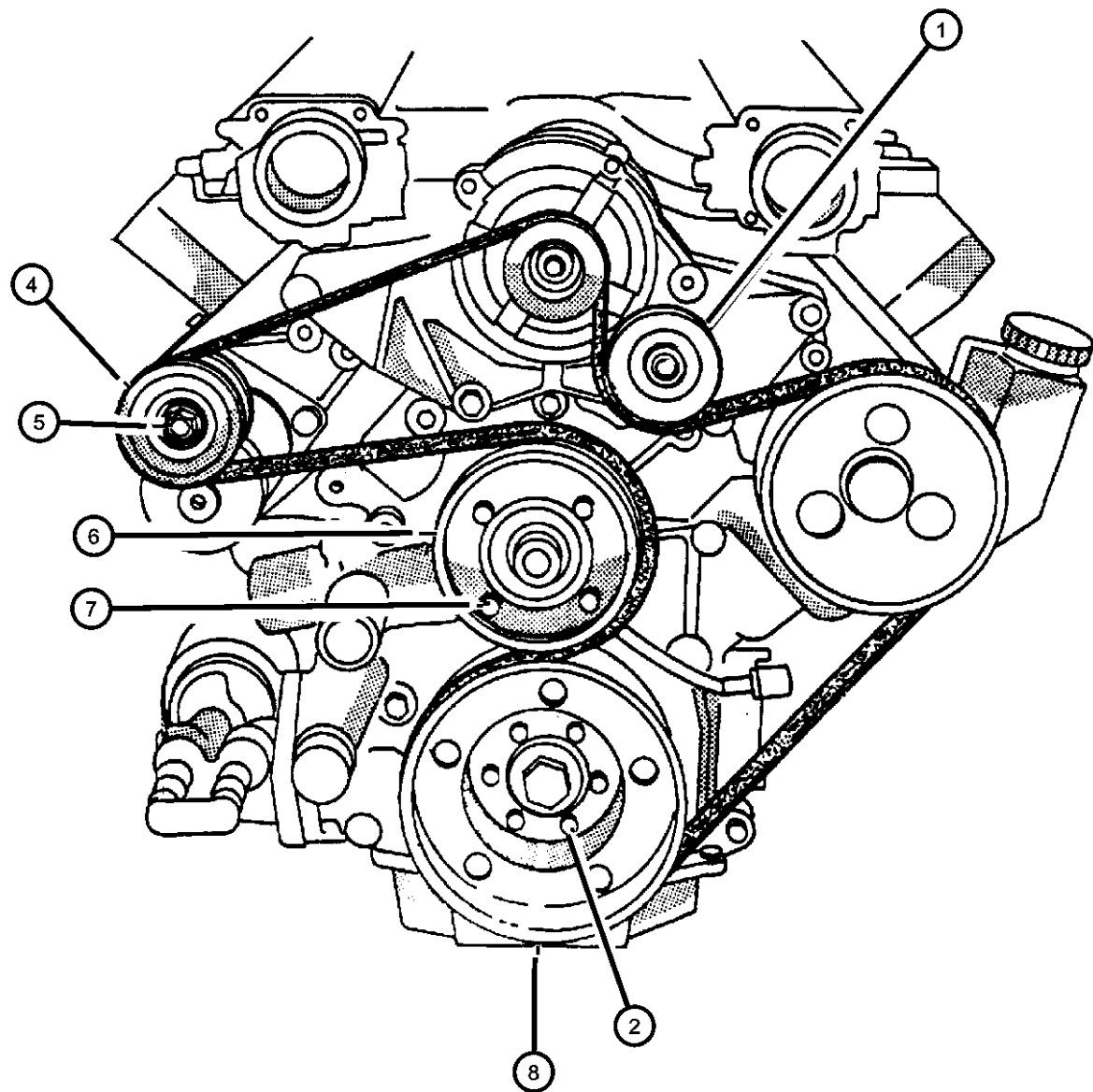
**VIPER GTS COUPE,VIPER RT/10 ROADSTER (SR)**

| SERIES         | LINE      | BODY                  | ENGINE                    | TRANSMISSION                      |
|----------------|-----------|-----------------------|---------------------------|-----------------------------------|
| S = RT/10      | D = DODGE | 27 = 2-DR CONVERTIBLE | EWB = 8.0L V10 SFI Engine | DEC = 6-Speed Manual Transmission |
| S = GTS Coupe  |           | 29 = SPECIALTY COUPE  |                           | DBB = All Manual Transmissions    |
| X = GTS/Lemans |           |                       |                           |                                   |

AR = use ase required - = Non illustrated part

1997 SR

Pulleys, Drive  
Figure 7-410



| ITEM  | PART NUMBER | QTY | LINE | SERIES | BODY | ENGINE | TRANS | TRIM | DESCRIPTION                              |
|---|-------------|-----|------|--------|------|--------|-------|------|--|
| NOTE:<br>Sales Codes:<br>EWB = 8.0L V10 SFI |             |     |      |        |      |        |       |      |  |
| 1   | 53009508    | 1   |      |        |      | EWB    |       |      | PULLEY, Idler                            |
| 2   | 53010222    | 1   |      |        |      | EWB    |       |      | PULLEY, Crankshaft, Drive                |
| -3  | 33002201    | 1   |      |        |      | EWB    |       |      | BUSHING, Idler Pulley                    |
| 4   | 04626444    | 1   |      |        |      | EWB    |       |      | TENSIONER PACKAGE, Belt, Belt            |
| 5   | 06502135    | 1   |      |        |      | EWB    |       |      | NUT, Hex Flange, M10x1.5, Tensioner Att. |
| 6   | 53010222    | 1   |      |        |      | EWB    |       |      | PULLEY, Crankshaft, Water Pump           |
| 7   | 06034530    | 4   |      |        |      | EWB    |       |      | SCREW, Hex Head, .312-18x.75             |
| 8   | 04763863AB  | 1   |      |        |      | EWB    |       |      | BELT, Accessory Drive                    |
| -9  | 04763934    | 1   |      |        |      |        |       |      | LABEL, Belt Routing, Belt Routing        |

VIPER GTS COUPE,VIPER RT/10 ROADSTER (SR)

| SERIES         | LINE      | BODY                  | ENGINE                    | TRANSMISSION                      |
|----------------|-----------|-----------------------|---------------------------|-----------------------------------|
| S = RT/10      | D = DODGE | 27 = 2-DR CONVERTIBLE | EWB = 8.0L V10 SFI Engine | DEC = 6-Speed Manual Transmission |
| S = GTS Coupe  |           | 29 = SPECIALTY COUPE  |                           | DBB = All Manual Transmissions    |
| X = GTS/Lemans |           |                       |                           |                                   |

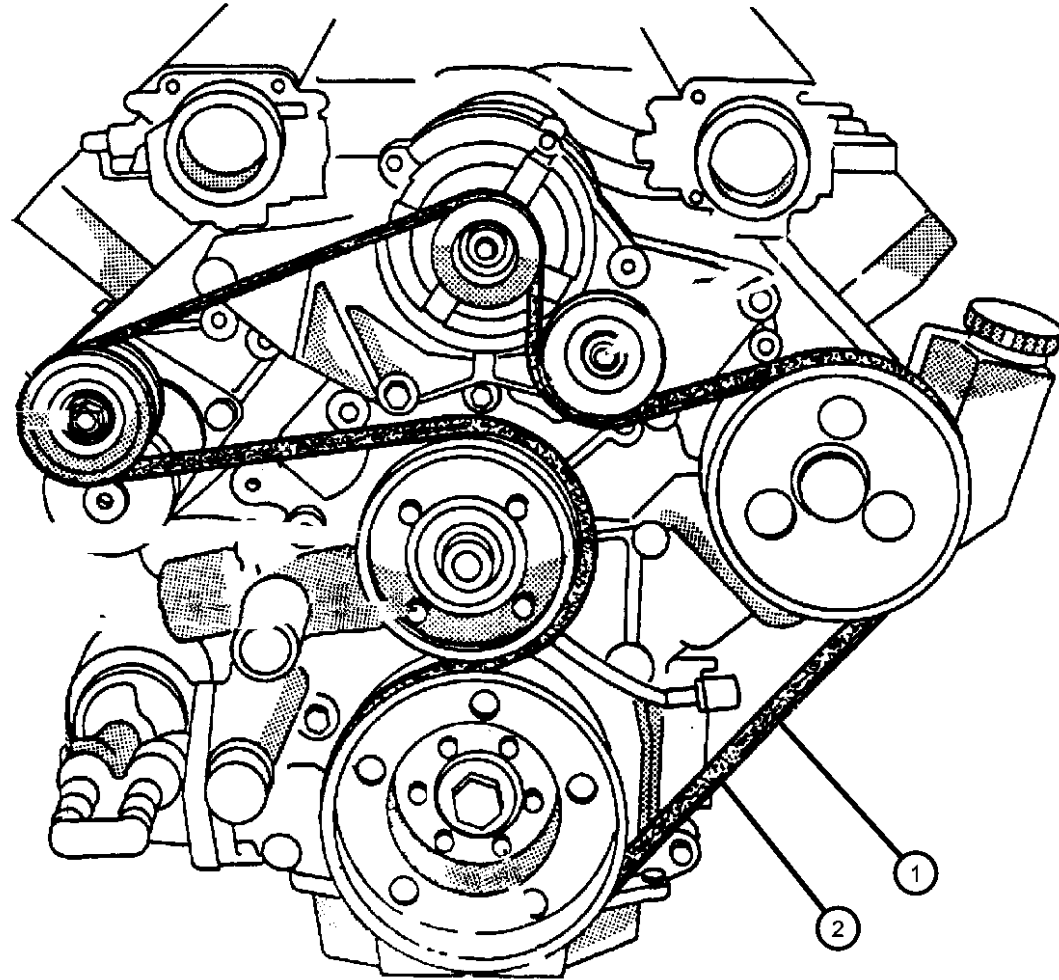
AR = use ase required - = Non illustrated part

**Belts, Drive  
Figure 7-510**

| ITEM | PART NUMBER | QTY | LINE | SERIES | BODY | ENGINE | TRANS | TRIM | DESCRIPTION |
|------|-------------|-----|------|--------|------|--------|-------|------|-------------|
|------|-------------|-----|------|--------|------|--------|-------|------|-------------|

NOTE:  
Sales Codes:  
EWB = 8.0L V10 SFI

|   |            |   |  |  |  |     |  |  |   |
|---|------------|---|--|--|--|-----|--|--|---|
| 1 | 04763863   | 1 |  |  |  | EWB |  |  | BELT, Accessory Drive, Without Air Conditioning |
| 2 | 04763795AB | 1 |  |  |  | EWB |  |  | BELT, A/C Air Conditioning                      |



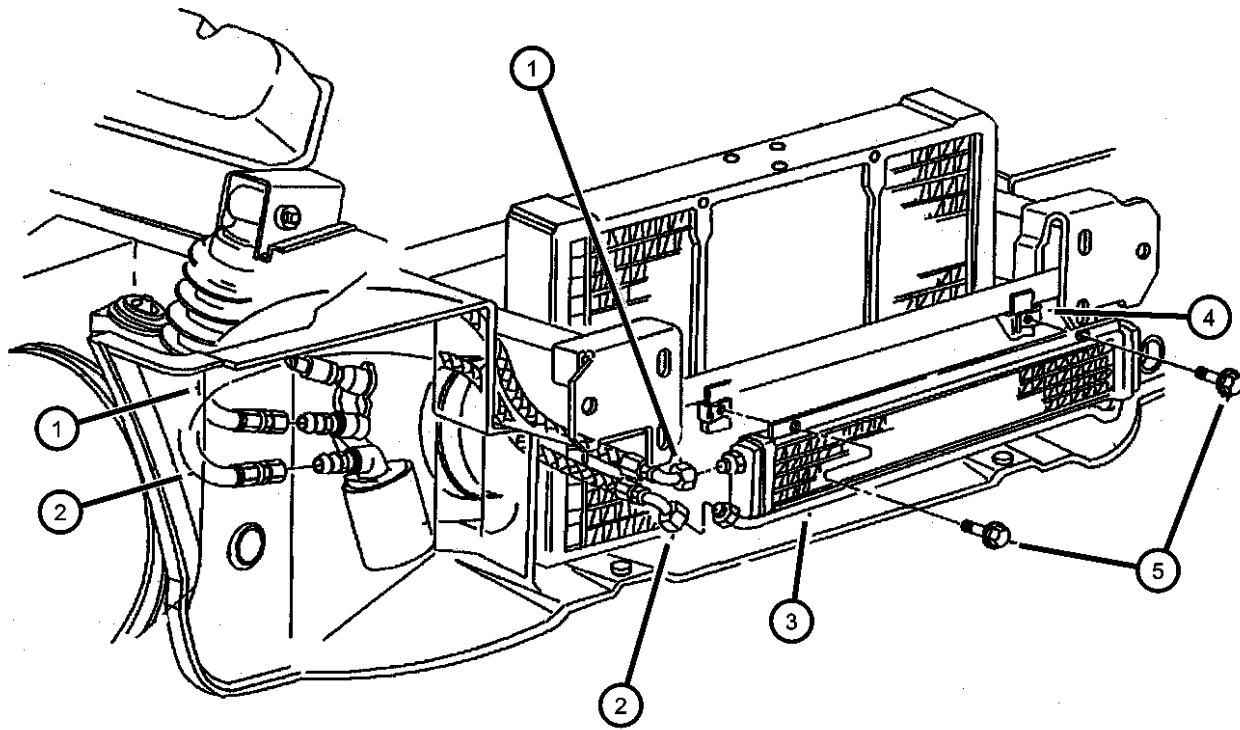
**VIPER GTS COUPE, VIPER RT/10 ROADSTER (SR)**

| SERIES         | LINE      | BODY                  | ENGINE                    | TRANSMISSION                      |
|----------------|-----------|-----------------------|---------------------------|-----------------------------------|
| S = RT/10      | D = DODGE | 27 = 2-DR CONVERTIBLE | EWB = 8.0L V10 SFI Engine | DEC = 6-Speed Manual Transmission |
| S = GTS Coupe  |           | 29 = SPECIALTY COUPE  |                           | DBB = All Manual Transmissions    |
| X = GTS/Lemans |           |                       |                           |                                   |

AR = use ase required - = Non illustrated part

**Oil Cooler And Lines**  
**Figure 7-610**

| ITEM | PART NUMBER | QTY | LINE | SERIES | BODY | ENGINE | TRANS | TRIM | DESCRIPTION             |
|------|-------------|-----|------|--------|------|--------|-------|------|-------------------------|
| 1    | 04848310    | 1   |      |        |      |        |       |      | LINE, Oil Cooler Inlet  |
| 2    | 04848300    | 1   |      |        |      |        |       |      | LINE, Oil Cooler Outlet |
| 3    | 04643826    | 1   |      |        |      |        |       |      | COOLER, Engine Oil      |
| 4    | 06101283    | 2   |      |        |      |        |       |      | U-NUT, M8x1.25          |
| 5    | 06100296    | 2   |      |        |      |        |       |      | BOLT, Hex Head          |



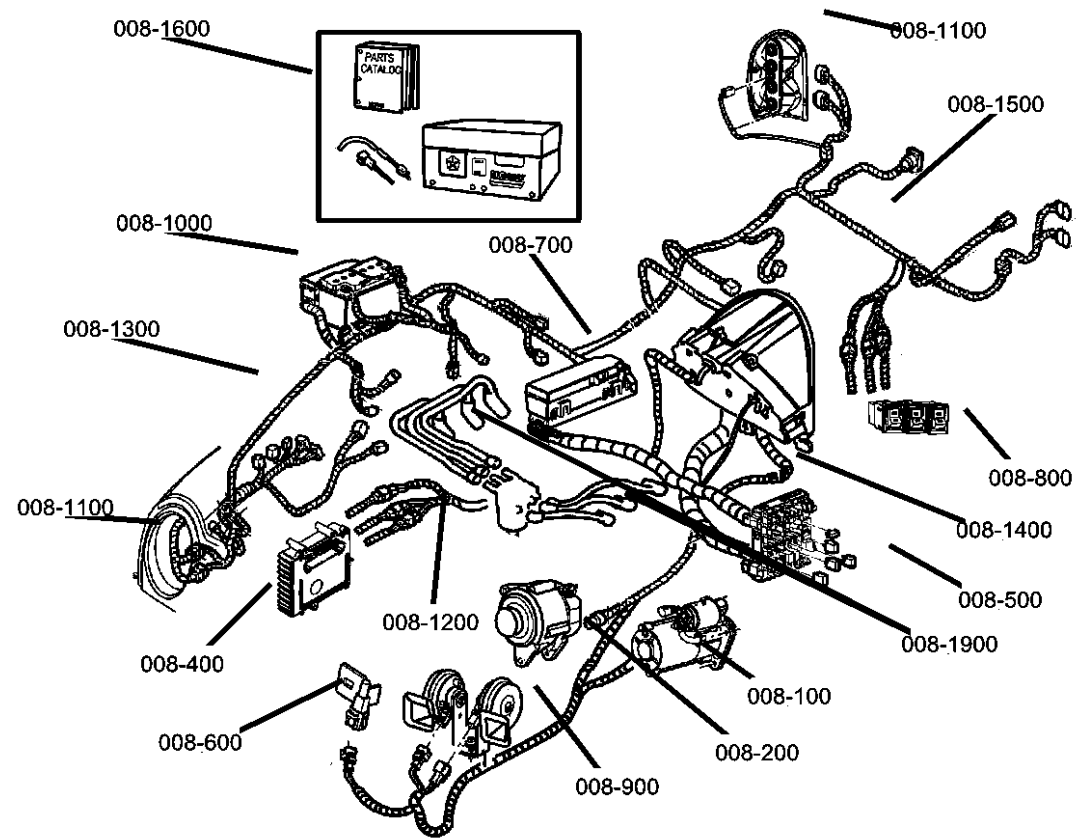
**VIPER GTS COUPE,VIPER RT/10 ROADSTER (SR)**

| SERIES         | LINE      | BODY                  | ENGINE                    | TRANSMISSION                      |
|----------------|-----------|-----------------------|---------------------------|-----------------------------------|
| S = RT/10      | D = DODGE | 27 = 2-DR CONVERTIBLE | EWB = 8.0L V10 SFI Engine | DEC = 6-Speed Manual Transmission |
| S = GTS Coupe  |           | 29 = SPECIALTY COUPE  |                           | DBB = All Manual Transmissions    |
| X = GTS/Lemans |           |                       |                           |                                   |

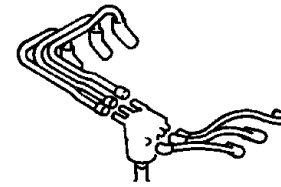
AR = use ase required - = Non illustrated part

# Group - 8

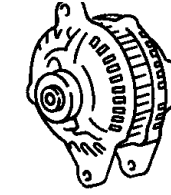
## Electrical



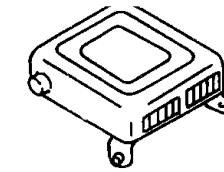
**008-1900**  
Spark Plugs-Cables-Coils



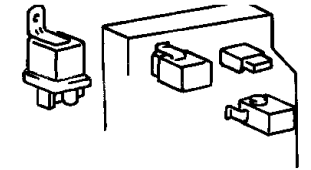
**008-200**  
Alternators



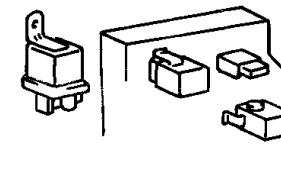
**008-400**  
Modules



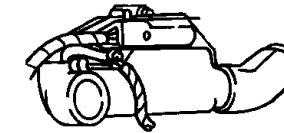
**008-500**  
Relays



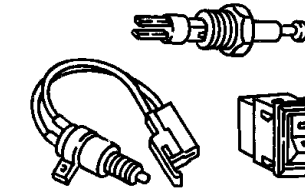
**008-600**  
Sensors



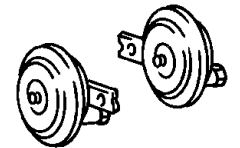
**008-700**  
Single Board Engine Controllers

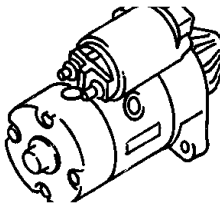
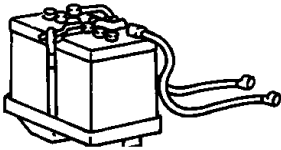
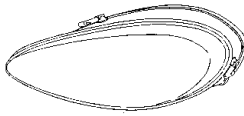
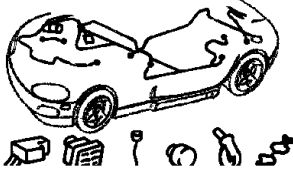
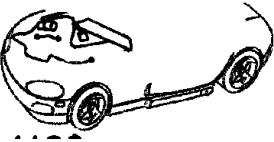
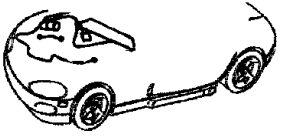
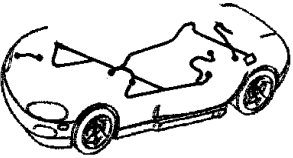


**008-800**  
Switches



**008-900**  
Horns



|   |  |  |  |
|---|--|--|--|
| <p><b>008-100</b><br/>Starters</p>                 | <p><b>008-1000</b><br/>Battery Tray and Cables</p>  | <p><b>008-1100</b><br/>Lamps - Front, Rear and Courtesy</p>  | <p><b>008-1200</b><br/>Wiring-Engine &amp; Related Parts</p>  |
| <p><b>008-1300</b><br/>Wiring-Headlamp to Dash</p>  | <p><b>008-1400</b><br/>Wiring-Instrument Panel</p>  | <p><b>008-1500</b><br/>Wiring-Body &amp; Accessories</p>     | <p><b>008-1600</b><br/>Wiring Repair</p> <p><b>WIRING REPAIR PKG.</b></p>  |

---

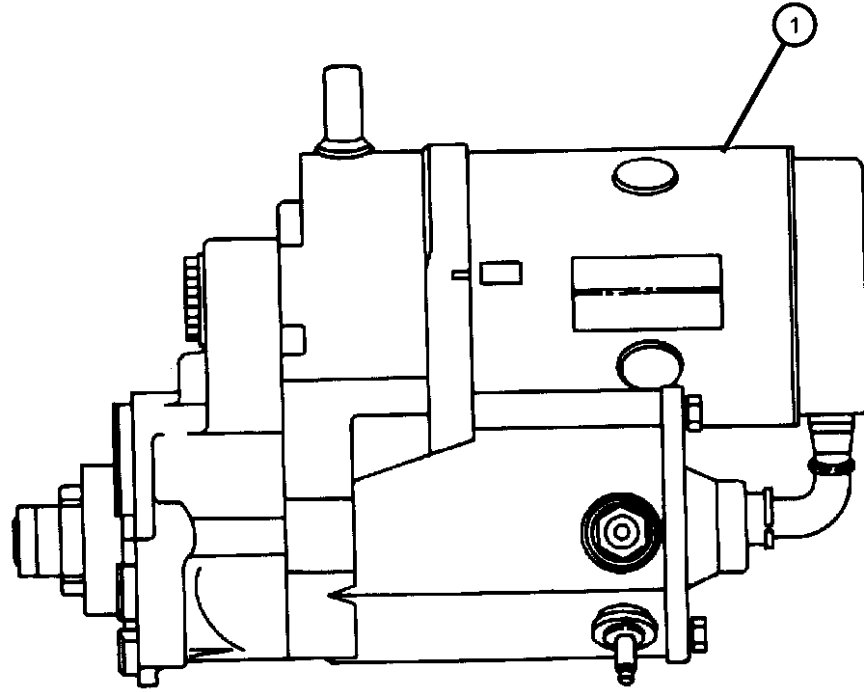
## Group - 8 Electrical

| Illustration Title                       | Group-Fig. No. |
|--|----------------|
| <b>Starters</b>                          |                |
| Starter.....                             | Fig. 8 - 105   |
| <b>Alternators</b>                       |                |
| Alternators.....                         | Fig. 8 - 205   |
| <b>Modules</b>                           |                |
| Modules.....                             | Fig. 8 - 405   |
| <b>Relays</b>                            |                |
| Relays, Fuses, Circuit Breakers.....     | Fig. 8 - 505   |
| <b>Sensors</b>                           |                |
| Sensors.....                             | Fig. 8 - 605   |
| <b>Single Board Engine Controllers</b>   |                |
| Single Board Controllers.....            | Fig. 8 - 705   |
| <b>Switches</b>                          |                |
| Switches.....                            | Fig. 8 - 805   |
| <b>Horns</b>                             |                |
| Horns.....                               | Fig. 8 - 905   |
| <b>Battery Tray and Cables</b>           |                |
| Battery Tray and Cables.....             | Fig. 8 - 1005  |
| <b>Lamps - Front, Rear and Courtesy</b>  |                |
| Lamps and Wiring - Front.....            | Fig. 8 - 1105  |
| Lamps and Wiring - Rear.....             | Fig. 8 - 1110  |
| <b>Wiring-Engine &amp; Related Parts</b> |                |
| Wiring - Engine and Related Parts.....   | Fig. 8 - 1205  |
| <b>Wiring-Headlamp to Dash</b>           |                |
| Wiring - Headlamp to Dash.....           | Fig. 8 - 1305  |
| <b>Wiring-Instrument Panel</b>           |                |
| Wiring - Instrument Panel.....           | Fig. 8 - 1405  |
| <b>Wiring-Body &amp; Accessories</b>     |                |
| Wiring - Body and Accessories.....       | Fig. 8 - 1505  |
| <b>Wiring Repair</b>                     |                |
| Connector Repair Package.....            | Fig. 8 - 1610  |
| <b>Spark Plugs-Cables-Coils</b>          |                |
| Spark Plugs - Cables - Coil.....         | Fig. 8 - 1905  |



**Starter  
Figure 8-105**

| ITEM              | PART NUMBER | QTY | LINE | SERIES | BODY | ENGINE | TRANS | TRIM | DESCRIPTION                            |
|-------------------|-------------|-----|------|--------|------|--------|-------|------|--|
| EWB= 8.0L V10 SFI |             |     |      |        |      |        |       |      |  |
| 1                 | 04763794    | 1   |      |        |      | EWB    |       |      | STARTER, Complete (Mtg. Screw 6034501) |
| -2                | 06035558    | 2   |      |        |      | EWB    |       |      | SCREW, Hex Flange Head, .375-16x1.50   |



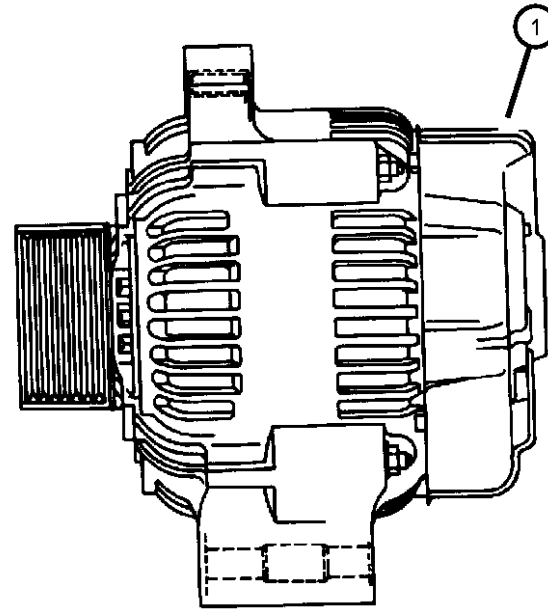
**VIPER GTS COUPE,VIPER RT/10 ROADSTER (SR)**

| SERIES         | LINE      | BODY                  | ENGINE                    | TRANSMISSION                      |
|----------------|-----------|-----------------------|---------------------------|-----------------------------------|
| S = RT/10      | D = DODGE | 27 = 2-DR CONVERTIBLE | EWB = 8.0L V10 SFI Engine | DEC = 6-Speed Manual Transmission |
| S = GTS Coupe  |           | 29 = SPECIALTY COUPE  |                           | DBB = All Manual Transmissions    |
| X = GTS/Lemans |           |                       |                           |                                   |

AR = use ase required - = Non illustrated part

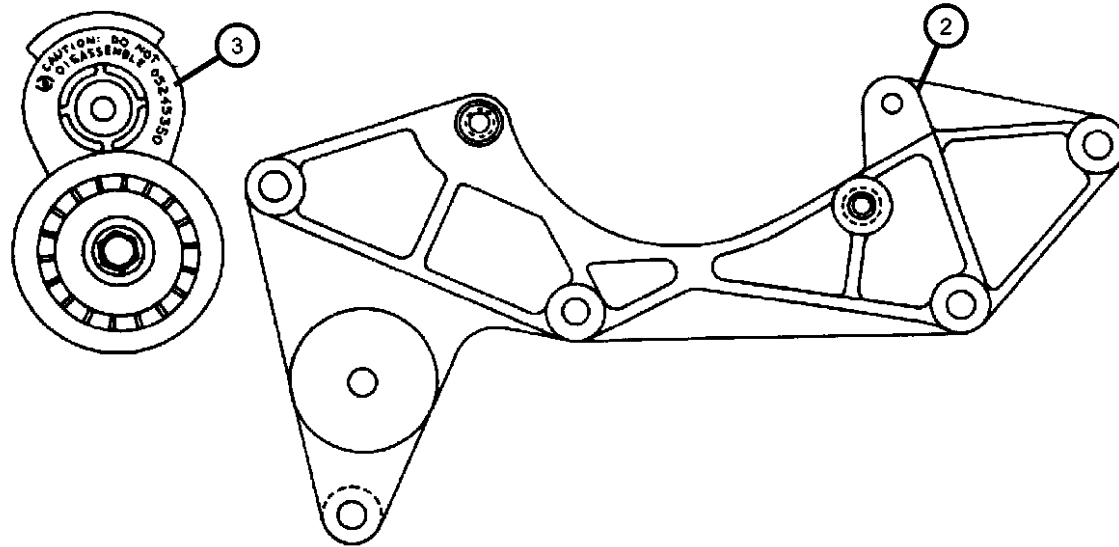
Alternators  
Figure 8-205

| ITEM | PART NUMBER | QTY | LINE | SERIES | BODY | ENGINE | TRANS | TRIM | DESCRIPTION |
|------|-------------|-----|------|--------|------|--------|-------|------|-------------|
|------|-------------|-----|------|--------|------|--------|-------|------|-------------|



EWB= 8.0L V10 SFI

|    |          |   |  |  |  |     |  |  |  |
|----|----------|---|--|--|--|-----|--|--|--|
| 1  | 04848662 | 1 |  |  |  | EWB |  |  | ALTERNATOR, Electrical, Complete (Generator) (Mounting Screw 5245501)                |
| 2  | 04848662 | 1 |  |  |  |     |  |  | BRACKET, Alternator (Serviced w/COVER ASSEMBLY, Chain Case #4763731), (NOT SERVICED) |
| 3  | 04626444 | 1 |  |  |  | EWB |  |  | TENSIONER PACKAGE, Belt, Automatic (Mounting Nut 6502135)                            |
| -4 | 04848124 | 1 |  |  |  | EWB |  |  | SPACER, Alternator, Alternator Bracket   |



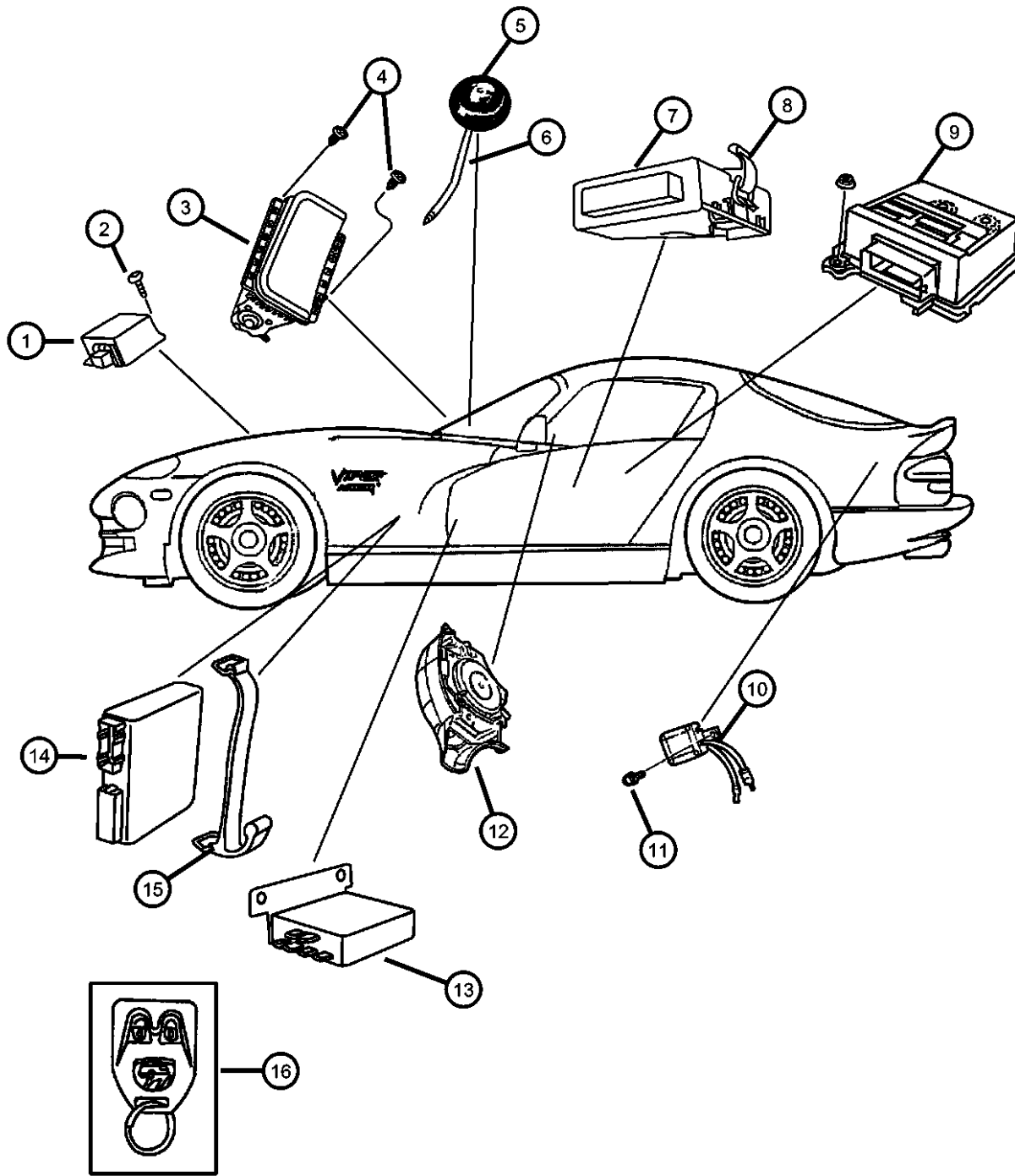
VIPER GTS COUPE,VIPER RT/10 ROADSTER (SR)

| SERIES         | LINE      | BODY                  | ENGINE                    | TRANSMISSION                      |
|----------------|-----------|-----------------------|---------------------------|-----------------------------------|
| S = RT/10      | D = DODGE | 27 = 2-DR CONVERTIBLE | EWB = 8.0L V10 SFI Engine | DEC = 6-Speed Manual Transmission |
| S = GTS Coupe  |           | 29 = SPECIALTY COUPE  |                           | DBB = All Manual Transmissions    |
| X = GTS/Lemans |           |                       |                           |                                   |

AR = use ase required - = Non illustrated part

1997 SR

Modules  
Figure 8-405



| ITEM | PART NUMBER | QTY | LINE | SERIES | BODY | ENGINE | TRANS | TRIM | DESCRIPTION  |
|------|-------------|-----|------|--------|------|--------|-------|------|--|
| 1    | 04672271    | 1   |      |        |      |        |       |      | MODULE, Daytime Running Lamp                           |
| 2    | 04672271    | 1   |      |        |      |        |       |      | SCREW, .250-14x.875, (NOT SERVICED)                    |
| 3    | 0MB62SX4AB  | 1   |      |        |      |        |       |      | AIR BAG, Passenger                                     |
| 4    | 0MB62SX4AB  | 1   |      |        |      |        |       |      | SCREW, Round Head, .164-15x1.00, (NOT SERVICED)        |
| 5    | 04848663    | 1   |      |        | 29   |        |       |      | BEZEL, Security Indicator                              |
| 6    | 04848664    | 1   |      |        | 29   |        |       |      | WIRING, LED Security                                   |
| 7    | 04848291    | 1   |      |        |      |        |       |      | MODULE, Wiper  |
| 8    | 04848290    | 1   |      |        |      |        |       |      | STRAP, Module Mounting                                 |
| 9    | 04848802AB  | 1   |      |        |      |        |       |      | MODULE, Air Bag Control                                |
| 10   | 04709109    | 1   |      |        |      |        |       |      | BOX, Antenna Amplifier                                 |
| 11   | 04709109    | 1   |      |        |      |        |       |      | SCREW, Tapping, .19-16x1.75, (NOT SERVICED)            |
| 12   | 0LB45JX8    | 1   |      |        |      |        |       |      | AIR BAG, Driver  |
| 13   | 05266269    | 1   |      |        |      |        |       |      | CHIME, Warning   |
| 14   |             |     |      |        |      |        |       |      | MODULE, Keyless Entry Receiver                         |
|      | 04848148AC  | 1   |      |        |      |        |       |      | Export   |
|      | 04848832    | 1   |      |        |      |        |       |      |  |
| 15   | 04848290    | 1   |      |        |      |        |       |      | STRAP, Module Mounting                                 |
| 16   |             |     |      |        |      |        |       |      | TRANSMITTER, Keyless Entry                             |
|      | 04848151    | 2   |      |        |      |        |       |      | Export   |
|      | 05245289    | AR  |      |        |      |        |       |      |  |
| -17  | 05245299AB  | 1   |      |        |      |        |       |      | MODULE, Lighting Control, Instrument Panel lamp dimmer |

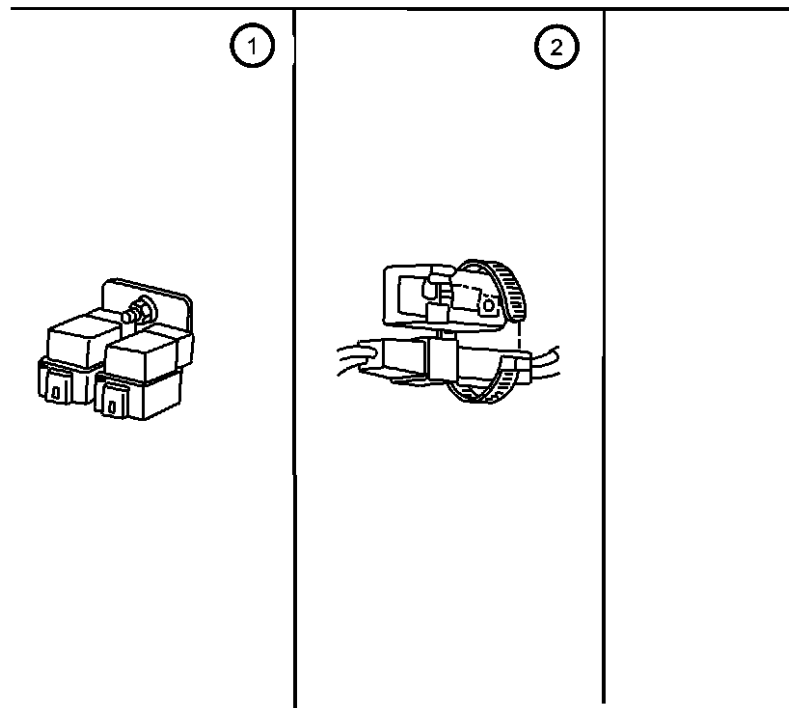
VIPER GTS COUPE,VIPER RT/10 ROADSTER (SR)

|                |           |                       |                           |                                   |
|----------------|-----------|-----------------------|---------------------------|-----------------------------------|
| SERIES         | LINE      | BODY                  | ENGINE                    | TRANSMISSION                      |
| S = RT/10      | D = DODGE | 27 = 2-DR CONVERTIBLE | EWB = 8.0L V10 SFI Engine | DEC = 6-Speed Manual Transmission |
| S = GTS Coupe  |           | 29 = SPECIALTY COUPE  |                           | DBB = All Manual Transmissions    |
| X = GTS/Lemans |           |                       |                           |                                   |

AR = use ase required - = Non illustrated part

**Relays, Fuses, Circuit Beakers**  
**Figure 8-505**

| ITEM | PART NUMBER | QTY | LINE | SERIES | BODY | ENGINE | TRANS | TRIM | DESCRIPTION                                      |
|------|-------------|-----|------|--------|------|--------|-------|------|--|
| 1    | 04848193    | 1   |      |        |      |        |       |      | RELAY, Electrical, Fuel Pump                     |
| 2    | 02889565    | 1   |      |        | 29   |        |       |      | RELAY, Electrical, Time Delay, Passive Restraint |
| -3   | 04848879AA  | 3   |      |        |      |        |       |      | RELAY, Electrical, Radiator Fan                  |
| -4   | 56005146    | 1   |      |        | 29   |        |       |      | RELAY, Electrical, Heated Rear Window            |
| -5   | 04671168    | 8   |      |        |      |        |       |      | RELAY, Mini, Plug-in 5T                          |
| -6   | 04414333    | 1   |      |        | 29   |        |       |      | BREAKER, Circuit                                 |



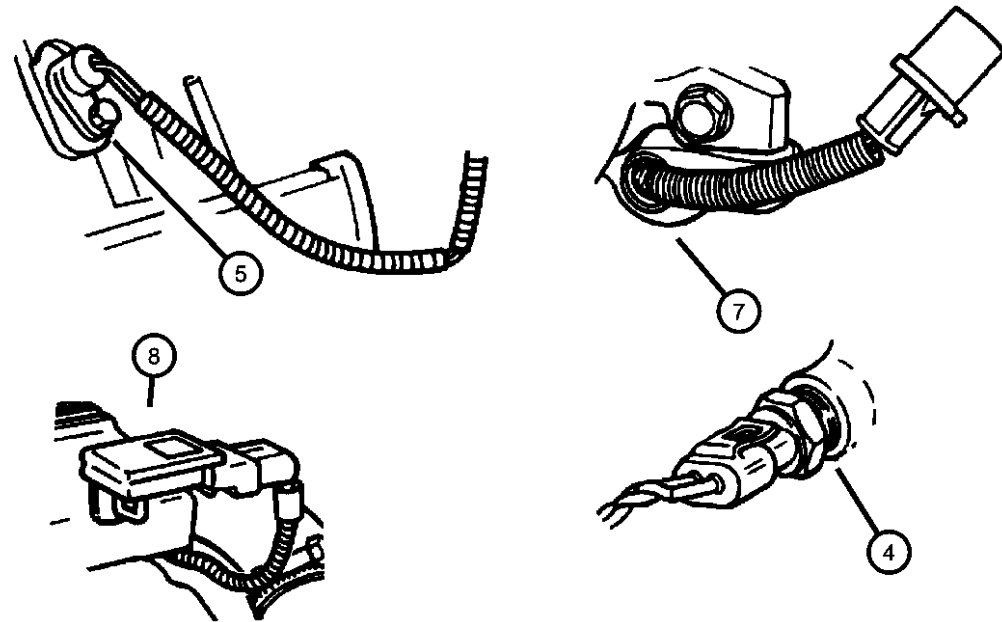
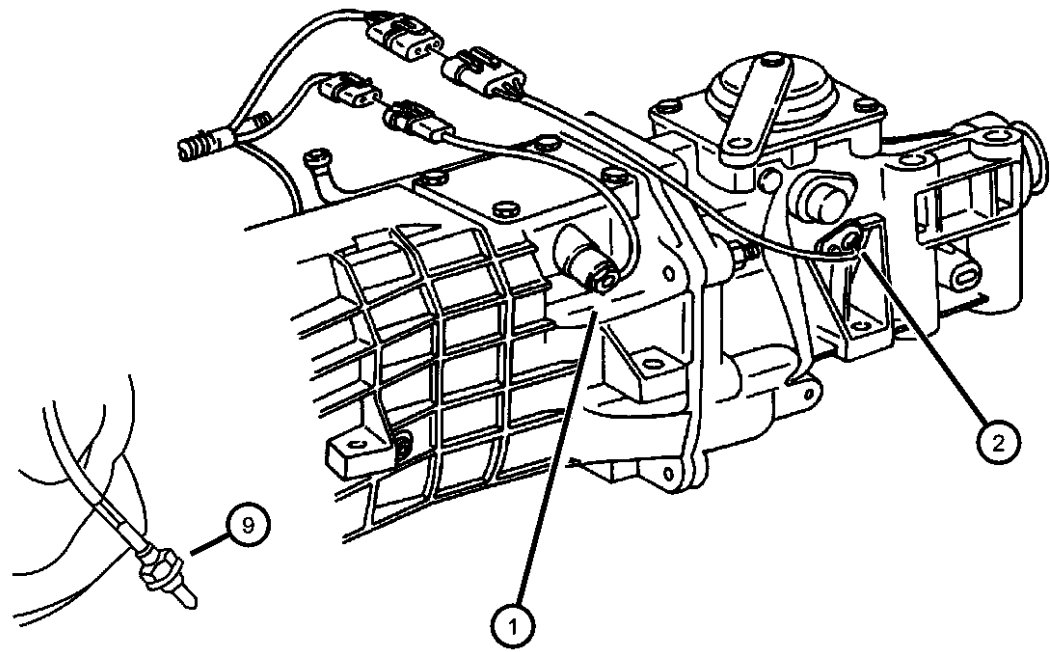
**VIPER GTS COUPE,VIPER RT/10 ROADSTER (SR)**

|                |           |                       |                           |                                   |
|----------------|-----------|-----------------------|---------------------------|-----------------------------------|
| SERIES         | LINE      | BODY                  | ENGINE                    | TRANSMISSION                      |
| S = RT/10      | D = DODGE | 27 = 2-DR CONVERTIBLE | EWB = 8.0L V10 SFI Engine | DEC = 6-Speed Manual Transmission |
| S = GTS Coupe  |           | 29 = SPECIALTY COUPE  |                           | DBB = All Manual Transmissions    |
| X = GTS/Lemans |           |                       |                           |                                   |

AR = use ase required - = Non illustrated part

**Sensors**  
**Figure 8-605**

| ITEM                                     | PART NUMBER | QTY | LINE | SERIES | BODY | ENGINE | TRANS | TRIM | DESCRIPTION                                     |
|--|-------------|-----|------|--------|------|--------|-------|------|---|
| EWB= 8.0L V10 SFI<br>DEC= MANUAL 6-SPEED |             |     |      |        |      |        |       |      |   |
| 1  | 04626572    | 1   |      |        |      |        | DEC   |      | SOLENOID, Transmission Skip Shift               |
| 2  | 04848214    | 1   |      |        |      |        | DEC   |      | SENSOR, Vehicle Speed                           |
| -3                                       | 04746271    | 1   |      |        |      |        | DEC   |      | SOLENOID, Transmission, Reverse Lockout         |
| 4  | 05227805    | 1   |      |        |      | EWB    |       |      | SENSOR, Ambient Temperature, Intake Charge Temp |
| 5  | 04848416    | 1   |      |        |      | EWB    |       |      | SENSOR, Crankshaft                              |
| -6                                       | 05245585    | 1   |      |        |      | EWB    |       |      | SHIELD, Crank Position Sensor                   |
| 7  | 05245084    | 1   |      |        |      | EWB    |       |      | SENSOR, Camshaft                                |
| 8  | 56029405    | 1   |      |        |      | EWB    |       |      | SENSOR, MAP                                     |
| 9  |             |     |      |        |      |        |       |      | SENSOR, Oxygen                                  |
|  | 56027916    | 2   |      |        |      | EWB    |       |      | 18 inch, Pigtail, Front                         |
|  | 56041004    | 2   |      |        |      | EWB    |       |      | 18 inch, Double Shield, Rear                    |
| -10                                      | 04874371    | 1   |      |        |      | EWB    |       |      | SENSOR, Throttle Position                       |
| -11                                      | 56028194    | 1   |      |        |      |        |       |      | SENSOR, Battery Temperature                     |
| -12                                      | 04848214    | 1   |      |        |      |        | DEC   |      | SENSOR, Vehicle Speed                           |



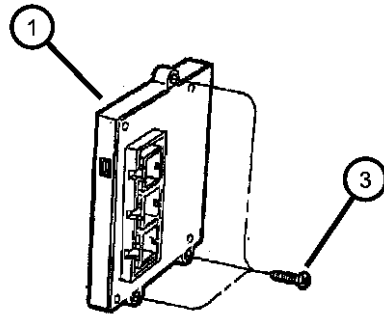
**VIPER GTS COUPE,VIPER RT/10 ROADSTER (SR)**

| SERIES         | LINE      | BODY                  | ENGINE                    | TRANSMISSION                      |
|----------------|-----------|-----------------------|---------------------------|-----------------------------------|
| S = RT/10      | D = DODGE | 27 = 2-DR CONVERTIBLE | EWB = 8.0L V10 SFI Engine | DEC = 6-Speed Manual Transmission |
| S = GTS Coupe  |           | 29 = SPECIALTY COUPE  |                           | DBB = All Manual Transmissions    |
| X = GTS/Lemans |           |                       |                           |                                   |

AR = use ase required - = Non illustrated part

**Single Board Controllers  
Figure 8-705**

| ITEM | PART NUMBER | QTY | LINE | SERIES | BODY | ENGINE | TRANS | TRIM | DESCRIPTION                                  |
|------|-------------|-----|------|--------|------|--------|-------|------|--|
| 1    | 04848702AC  | 1   |      |        |      |        |       |      | MODULE, Engine Controller<br>Federal, Canada |
|      | 04848703AC  | 1   |      |        |      |        |       |      | Europe                                       |
| -2   | 04848160AB  | 1   |      |        |      |        |       |      | COVER, Module, JTEC Module                   |
| 3    | 06034300    | 3   |      |        |      |        |       |      | SCREW, Tapping, .19-16x1.75                  |

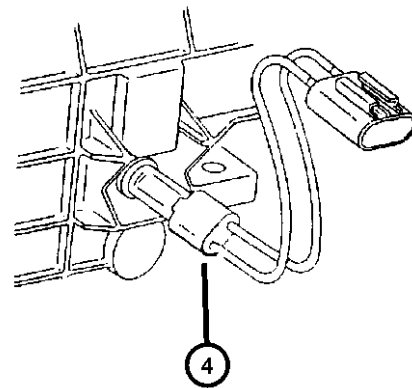
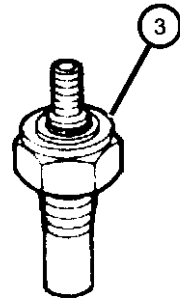
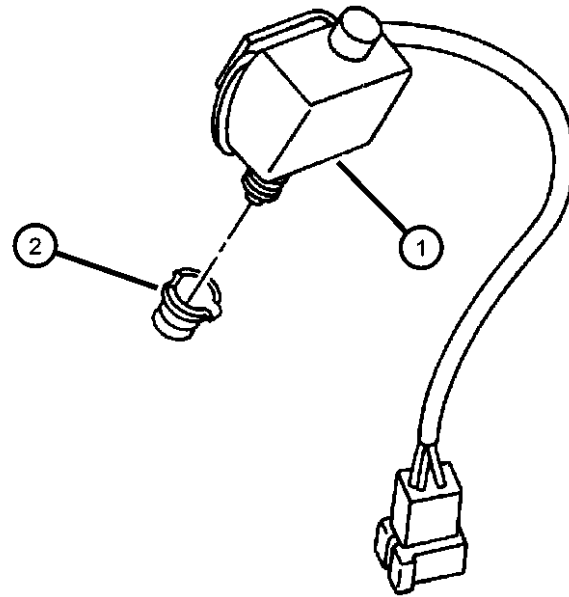


**VIPER GTS COUPE,VIPER RT/10 ROADSTER (SR)**

|                |           |                       |                           |                                   |
|----------------|-----------|-----------------------|---------------------------|-----------------------------------|
| SERIES         | LINE      | BODY                  | ENGINE                    | TRANSMISSION                      |
| S = RT/10      | D = DODGE | 27 = 2-DR CONVERTIBLE | EWB = 8.0L V10 SFI Engine | DEC = 6-Speed Manual Transmission |
| S = GTS Coupe  |           | 29 = SPECIALTY COUPE  |                           | DBB = All Manual Transmissions    |
| X = GTS/Lemans |           |                       |                           |                                   |

AR = use ase required - = Non illustrated part

Switches  
Figure 8-805



| ITEM                                     | PART NUMBER | QTY | LINE | SERIES | BODY | ENGINE | TRANS | TRIM | DESCRIPTION  |
|--|-------------|-----|------|--------|------|--------|-------|------|--|
| EWB= 8.0L V10 SFI<br>DEC= MANUAL 6-SPEED |             |     |      |        |      |        |       |      |  |
| 1  | 04671334    | 1   |      |        |      |        |       |      | SWITCH, Stop Lamp, Stop Lamp/Speed Control (Clutch Inter-Lock) |
| 2  | 04671334    | 1   |      |        |      |        |       |      | CLIP, (NOT SERVICED)   |
| 3  | 04848110    | 1   |      |        |      | EWB    |       |      | SENDING UNIT, Temperature Gauge                                |
| 4  | 04626593    | 1   |      |        |      |        | DEC   |      | SWITCH, Back Up Lamp   |
| -5                                       | 53007944    | 1   |      |        |      |        |       |      | SWITCH, Clutch Starter Interlock                               |
| -6                                       | 04848295    | 1   |      |        |      | EWB    |       |      | SWITCH, Oil Pressure   |
| -7                                       | 56026779    | 1   |      |        |      | EWB    |       |      | SENDING UNIT, Oil Pressure                                     |
| -8                                       | 05245736    | 1   |      |        | 29   |        |       |      | SWITCH, Electric Back Light                                    |
| -9                                       | 04687594    | 1   |      |        |      |        |       |      | SWITCH, Door Ajar, Under Hood Security Alarm                   |
| -10                                      |             |     |      |        |      |        |       |      | BRACKET, Wiring  |
|  | 04848283AB  | 1   |      |        |      |        |       |      | Up to 02/10/97   |
|  | 04848283AC  | 1   |      |        |      |        |       |      | After 02/10/97   |
| -11                                      | 04848149    | 1   |      |        | 29   |        |       |      | SWITCH, Strut, Rear Hatch Alarm                                |
| -12                                      |             |     |      |        |      |        |       |      | SWITCH, Headlamp   |
|  | 04763135    | 1   |      |        |      |        |       |      |  |
|  | 04763596    | 1   |      |        |      |        |       |      | Export   |
| -13                                      |             |     |      |        |      |        |       |      | KNOB, Head Lamp Switch   |
|  | 04848135    | 1   |      |        |      |        |       |      |  |
|  | 04848136    | 1   |      |        |      |        |       |      | Export   |
| -14                                      |             |     |      |        |      |        |       |      | SWITCH, Ignition   |
|  | 04797401    | 1   |      |        |      |        |       |      | Upto 10-1-97   |
|  | 56021346    | 1   |      |        |      |        |       |      | After 10-1-97  |
| -15                                      | 06503845    | 3   |      |        |      |        |       |      | SCREW, Ignition Switch   |
| -16                                      |             |     |      |        |      |        |       |      | SWITCH, Door Handle  |
|  | 04848150    | 2   |      |        | 29   |        |       |      |  |
|  |             | 2   |      |        | 27   |        |       |      |  |
| -17                                      |             |     |      |        |      |        |       |      | SWITCH, Power Window   |
|  | 05245735    | 1   |      |        | 29   |        |       |      |  |
|  |             | 1   |      |        | 27   |        |       |      |  |
| -18                                      | 04848291    | 1   |      |        |      |        |       |      | SWITCH, Windshield Wiper                                       |
| -19                                      | 04848291    | 1   |      |        |      |        |       |      | SWITCH, Disarm, (NOT REQUIRED)                                 |
| -20                                      | 04728424    | 1   |      |        |      |        |       |      | SWITCH, Multifunction  |

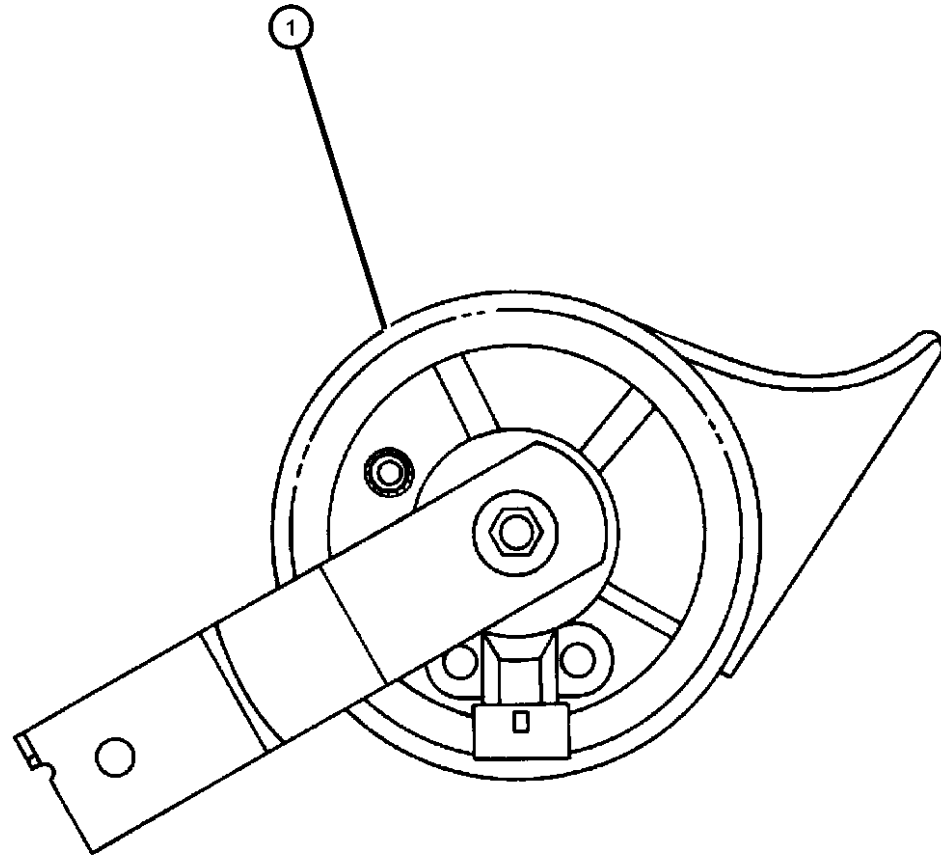
VIPER GTS COUPE,VIPER RT/10 ROADSTER (SR)

| SERIES         | LINE      | BODY                  | ENGINE                    | TRANSMISSION                      |
|----------------|-----------|-----------------------|---------------------------|-----------------------------------|
| S = RT/10      | D = DODGE | 27 = 2-DR CONVERTIBLE | EWB = 8.0L V10 SFI Engine | DEC = 6-Speed Manual Transmission |
| S = GTS Coupe  |           | 29 = SPECIALTY COUPE  |                           | DBB = All Manual Transmissions    |
| X = GTS/Lemans |           |                       |                           |                                   |

AR = use ase required - = Non illustrated part

Horns  
Figure 8-905

| ITEM | PART NUMBER | QTY | LINE | SERIES | BODY | ENGINE | TRANS | TRIM | DESCRIPTION                      |
|------|-------------|-----|------|--------|------|--------|-------|------|----------------------------------|
| 1    | 04643867    | 1   |      |        |      |        |       |      | HORN, High Note<br>Up to 1-27-97 |
|      | 04643867AB  | 1   |      |        |      |        |       |      | After 1-27-97                    |
| -2   | 04643868    | 1   |      |        |      |        |       |      | HORN, Low Note<br>Up to 1-27-97  |
|      | 04643868AB  | 1   |      |        |      |        |       |      | After 1-27-97                    |
| -3   | 06035135    | 2   |      |        |      |        |       |      | SCREWHorn Mounting               |



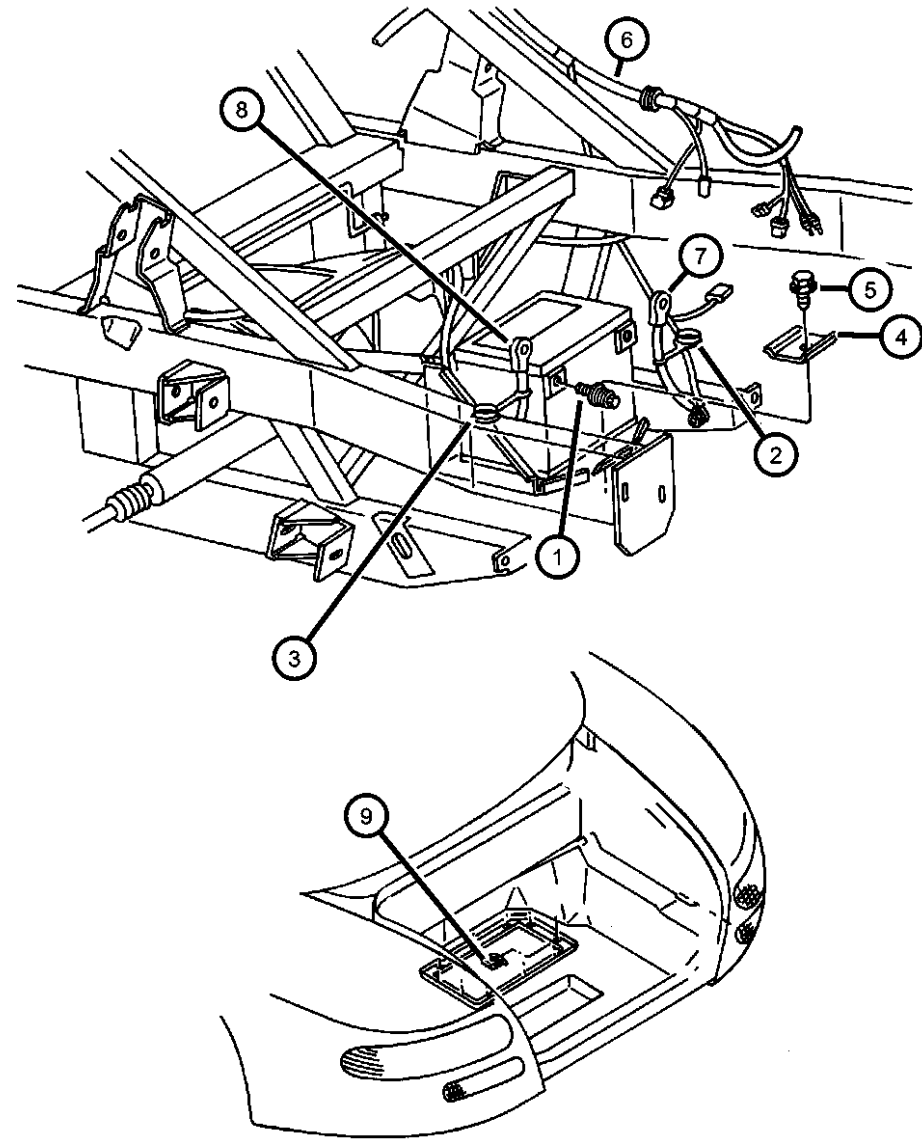
VIPER GTS COUPE,VIPER RT/10 ROADSTER (SR)

| SERIES         | LINE      | BODY                  | ENGINE                    | TRANSMISSION                      |
|----------------|-----------|-----------------------|---------------------------|-----------------------------------|
| S = RT/10      | D = DODGE | 27 = 2-DR CONVERTIBLE | EWB = 8.0L V10 SFI Engine | DEC = 6-Speed Manual Transmission |
| S = GTS Coupe  |           | 29 = SPECIALTY COUPE  |                           | DBB = All Manual Transmissions    |
| X = GTS/Lemans |           |                       |                           |                                   |

AR = use ase required - = Non illustrated part



**Battery Tray and Cables**  
**Figure 8-1005**



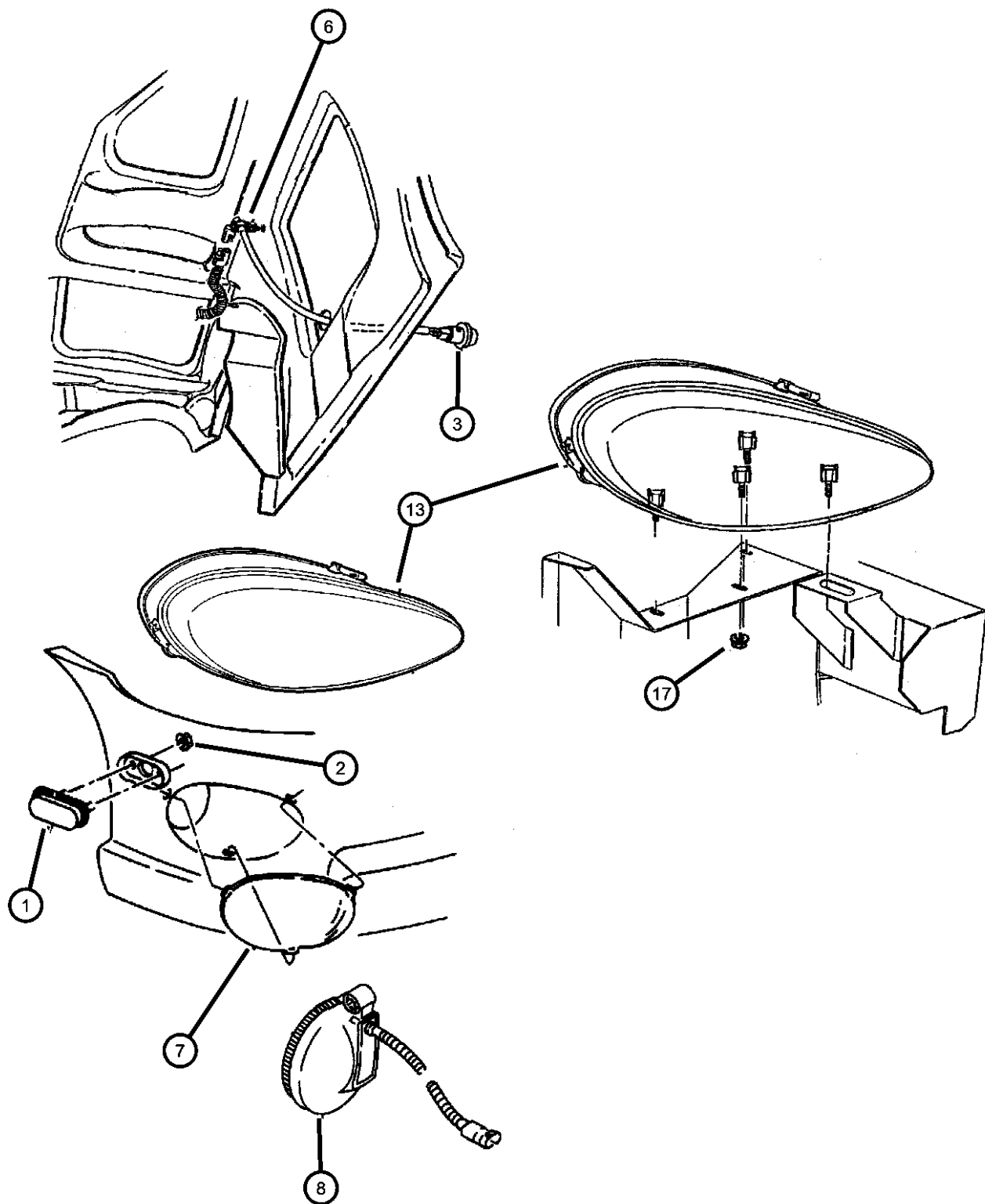
| ITEM | PART NUMBER | QTY | LINE | SERIES | BODY | ENGINE | TRANS | TRIM | DESCRIPTION  |
|------|-------------|-----|------|--------|------|--------|-------|------|--|
| 1    | 04642589    | 1   |      |        |      |        |       |      | BOLT, Hex Head, .375-16x.95, Side Post Battery                         |
| 2    | 04642591    | 1   |      |        |      |        |       |      | COVER, Battery Terminal, Battery Side Post, Negative                   |
| 3    | 04642924    | 1   |      |        |      |        |       |      | COVER, Battery Terminal, Battery Side Post, Positive                   |
| 4    | 04763635    | 1   |      |        |      |        |       |      | RETAINER, Battery Hold Down, Battery Tray                              |
| 5    |             |     |      |        |      |        |       |      | SCREW AND WASHER, Hex Head, M8x1.25x30                                 |
|      | 06500584    | 1   | D    |        | 27   |        |       |      |  |
|      |             | 1   | D    |        | 29   |        |       |      | w/Washer   |
| 6    |             |     |      |        |      |        |       |      | WIRING, Unified Body   |
|      | 04763077AB  | 1   |      |        | 29   |        |       |      |  |
|      | 04848158AB  | 1   |      |        | 27   |        |       |      |  |
| 7    | 04642610AB  | 1   |      |        |      |        |       |      | WIRING, Battery Negative   |
| 8    | 04763057AB  | 1   |      |        |      |        |       |      | WIRING, Battery Positive   |
| 9    | 04643305    | 1   |      |        |      |        |       |      | TRAY, Battery  |
|      | 0VU01207    |     |      |        |      |        |       |      | Repair Battery Terminal End Side Post ( Ten Per Box) Mopar Power Pro 6 |
|      | BA078730EX  |     |      |        |      |        |       |      | Repair Battery Terminal End Top Post ( Ten Per Box)                    |
|      | 0VU01205    |     |      |        |      |        |       |      |  |
| -10  | 06101308    | 2   |      |        |      |        |       |      | NUT, U, M6x1   |
| -11  | 56028194    | 1   |      |        |      |        |       |      | SENSOR, Battery Temperature  |
| -12  |             |     |      |        |      |        |       |      | LABEL, Battery   |
|      | 04671062    | 1   |      |        |      |        |       |      |  |
|      | 04848923AA  | 1   |      |        |      |        |       |      | English/French   |
|      | 05003355AA  | 1   |      |        |      |        |       |      | 650 AMP Maintenance  |

**VIPER GTS COUPE,VIPER RT/10 ROADSTER (SR)**

| SERIES         | LINE      | BODY                  | ENGINE                    | TRANSMISSION                      |
|----------------|-----------|-----------------------|---------------------------|-----------------------------------|
| S = RT/10      | D = DODGE | 27 = 2-DR CONVERTIBLE | EWB = 8.0L V10 SFI Engine | DEC = 6-Speed Manual Transmission |
| S = GTS Coupe  |           | 29 = SPECIALTY COUPE  |                           | DBB = All Manual Transmissions    |
| X = GTS/Lemans |           |                       |                           |                                   |

AR = use ase required - = Non illustrated part

Lamps and Wiring - Front  
Figure 8-1105



| ITEM | PART NUMBER | QTY | LINE | SERIES | BODY | ENGINE | TRANS | TRIM | DESCRIPTION   |
|------|-------------|-----|------|--------|------|--------|-------|------|---|
| 1    |             |     |      |        |      |        |       |      | LAMP, Side Marker   |
|      | 04642930    | 2   |      |        | 29   |        |       |      | Federal, Canada   |
|      |             | 2   |      |        | 27   |        |       |      | Federal, Canada   |
|      | 04643939    | 2   |      |        | 29   |        |       |      | Export  |
| 2    | 06025002    | 4   |      |        | 29   |        |       |      | NUT AND WASHER, Hex<br>Nut-Coned Washer, .190-24, Side<br>Marker Lamp To Fascia |
| 3    | 04676565    | 2   |      |        |      |        |       |      | LAMP, Front FenderSide Repeater,<br>Export                                      |
| -4   | 00153620    | 2   |      |        |      |        |       |      | BULB, 8/4Side Repeater Lamp,<br>Export  |
| -5   | 04676801    | 2   |      |        |      |        |       |      | GASKET, Side Marker LampExport  |
| 6    | 04481618    | 2   |      |        |      |        |       |      | WIRING, Side Repeater<br>LampExport   |
| 7    |             |     |      |        |      |        |       |      | COVER, Fog Lamp   |
|      | 04643819    | 1   |      |        | 29   |        |       |      | Left  |
|      |             | 1   |      |        | 27   |        |       |      | Left  |
| 8    |             |     |      |        |      |        |       |      | LAMP, Fog   |
|      | 05245104    | 2   |      |        | 29   |        |       |      | Fog   |
|      |             | 2   |      |        | 27   |        |       |      | Fog   |
| -9   |             |     |      |        |      |        |       |      | SCREW, .19-16x.75   |
|      | 06033526    | 4   |      |        | 27   |        |       |      | For Lamp to Adapter   |
|      |             | 4   |      |        | 29   |        |       |      | For Lamp to Adapter   |
| -10  | 04728646    | 2   |      |        |      |        |       |      | BULB PACKAGE, 55 Watt, Fog<br>Lamp (H3)   |
| -11  |             |     |      |        |      |        |       |      | BRACKET, Fog Lamp   |
|      | 05245172    | 2   |      |        | 29   |        |       |      | Fog Lamp Fascia Front   |
|      |             | 2   |      |        | 27   |        |       |      | Fog Lamp Fascia Front   |
| -12  |             |     |      |        |      |        |       |      | SEAL, Fog Lamp  |
|      | 05245991    | 1   |      |        | 27   |        |       |      |   |
|      |             | 1   |      |        | 29   |        |       |      |   |
| 13   |             |     |      |        |      |        |       |      | HEADLAMP  |
|      | 04708146AB  | 1   |      |        |      |        |       |      | Right   |
|      | 04708147AB  | 1   |      |        |      |        |       |      | Left  |
|      | 04848062AB  | 1   |      |        |      |        |       |      | Federal, Canada, Right  |
|      | 04848063AB  | 1   |      |        |      |        |       |      | Federal, Canada, Left   |
| -14  | L0009005    | 1   |      |        |      |        |       |      | BULB, Headlamp  |
| -15  | L000009011  | 1   |      |        |      |        |       |      | BULB, 9011, high beam, Right &<br>Left  |

VIPER GTS COUPE,VIPER RT/10 ROADSTER (SR)

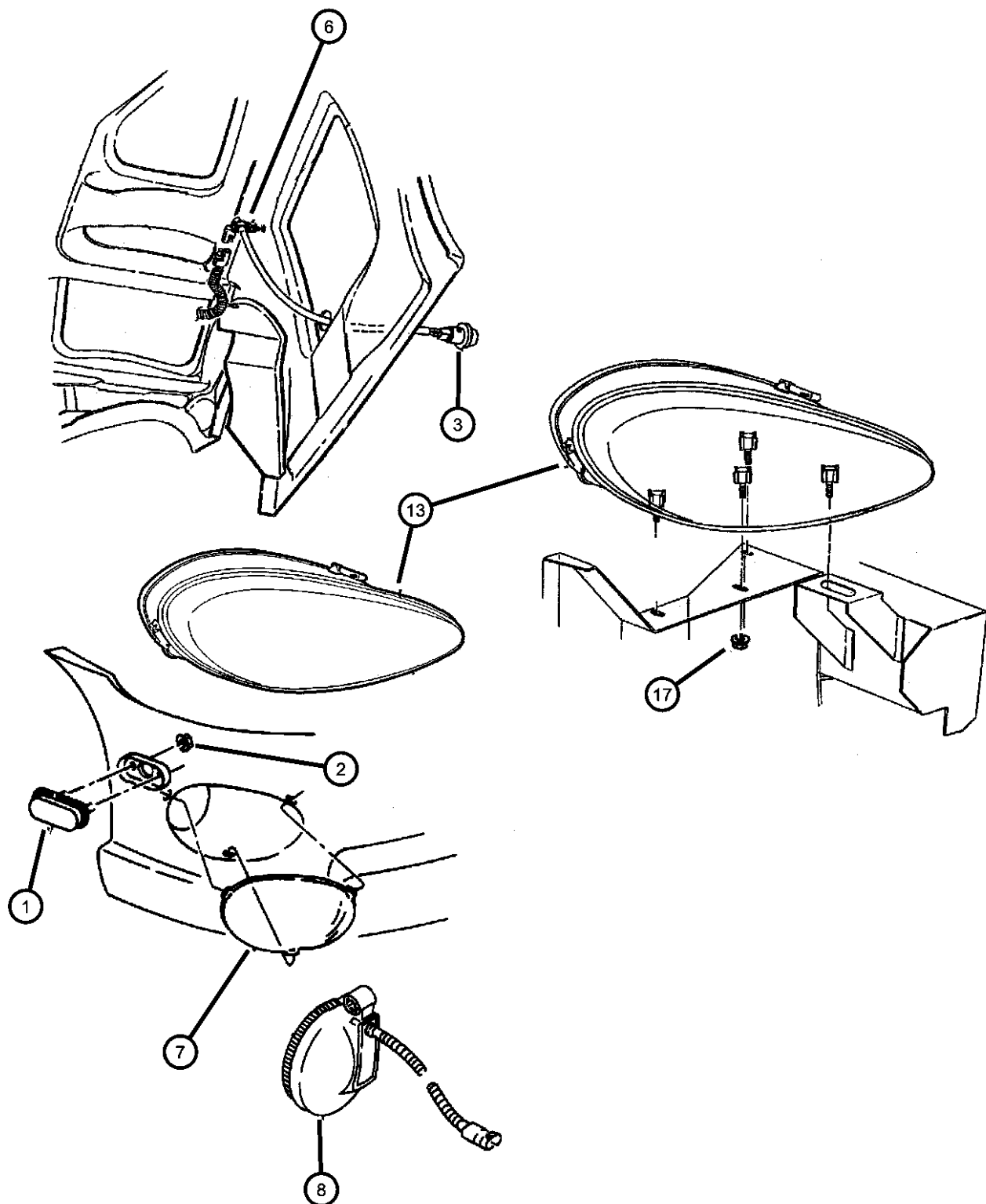
| SERIES         | LINE      | BODY                  | ENGINE                    | TRANSMISSION                      |
|----------------|-----------|-----------------------|---------------------------|-----------------------------------|
| S = RT/10      | D = DODGE | 27 = 2-DR CONVERTIBLE | EWB = 8.0L V10 SFI Engine | DEC = 6-Speed Manual Transmission |
| S = GTS Coupe  |           | 29 = SPECIALTY COUPE  |                           | DBB = All Manual Transmissions    |
| X = GTS/Lemans |           |                       |                           |                                   |

AR = use ase required - = Non illustrated part

1997 SR

Lamps and Wiring - Front  
Figure 8-1105

| ITEM | PART NUMBER | QTY | LINE | SERIES | BODY | ENGINE | TRANS | TRIM | DESCRIPTION |
|------|-------------|-----|------|--------|------|--------|-------|------|-------------|
|------|-------------|-----|------|--------|------|--------|-------|------|-------------|



|     |                          |   |  |  |  |  |  |  |  |
|-----|--------------------------|---|--|--|--|--|--|--|--|
| -16 | 00L03157NA<br>L0003157ST | 1 |  |  |  |  |  |  | BULB, 3157 NAK, Park & Turn Signal (#3157NA)<br>SilverStar |
| 17  | 06504572                 | 4 |  |  |  |  |  |  | NUT AND WASHER, Hex Nut-Coned Washer, M8 x 1.25            |
| -18 | 04708012                 | 4 |  |  |  |  |  |  | NUT, Wing, Headlamp Mounting                               |

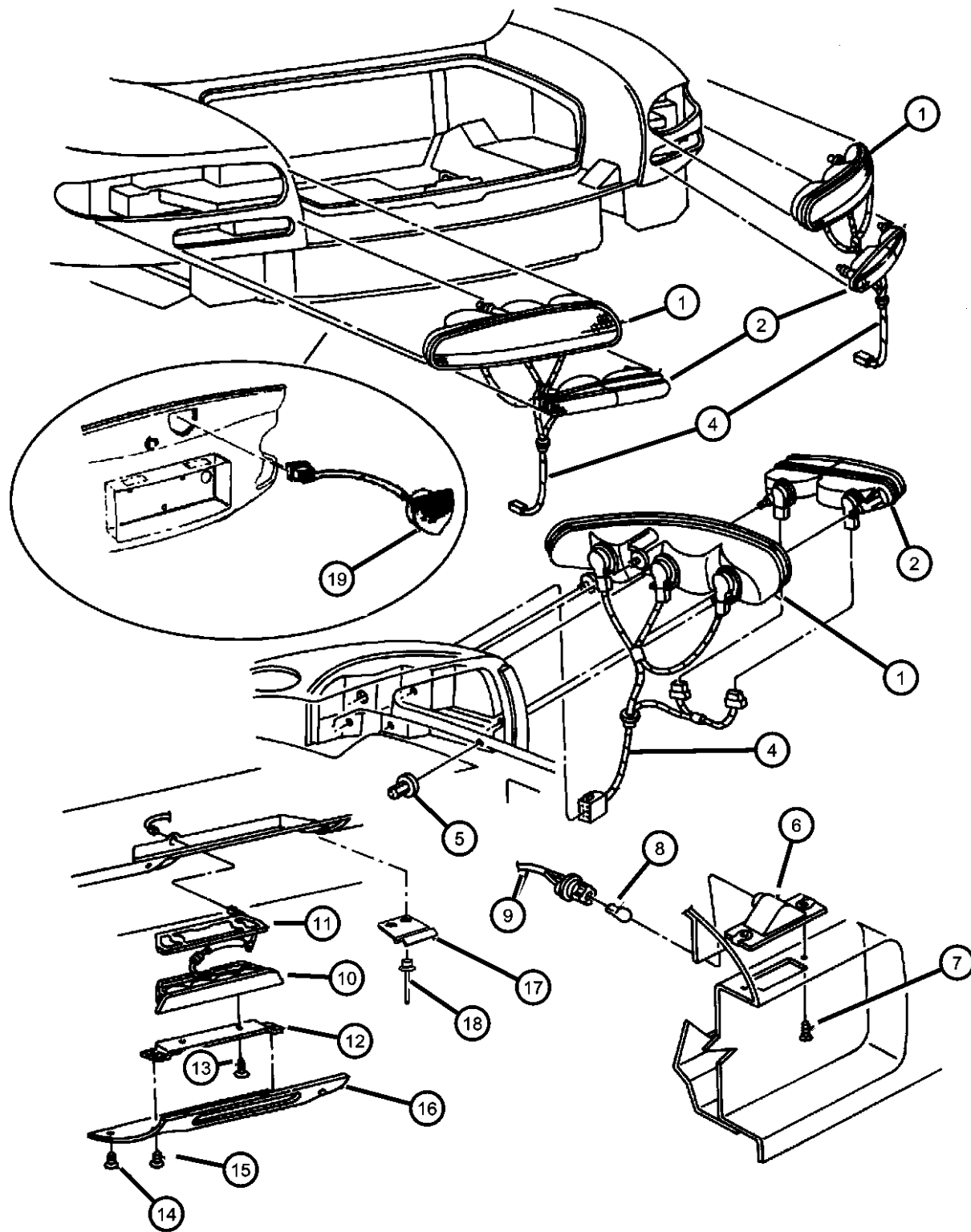
VIPER GTS COUPE,VIPER RT/10 ROADSTER (SR)

| SERIES         | LINE      | BODY                  | ENGINE                    | TRANSMISSION                      |
|----------------|-----------|-----------------------|---------------------------|-----------------------------------|
| S = RT/10      | D = DODGE | 27 = 2-DR CONVERTIBLE | EWB = 8.0L V10 SFI Engine | DEC = 6-Speed Manual Transmission |
| S = GTS Coupe  |           | 29 = SPECIALTY COUPE  |                           | DBB = All Manual Transmissions    |
| X = GTS/Lemans |           |                       |                           |                                   |

AR = use ase required - = Non illustrated part

1997 SR

Lamps and Wiring - Rear  
Figure 8-1110



| ITEM | PART NUMBER | QTY | LINE | SERIES | BODY | ENGINE | TRANS | TRIM | DESCRIPTION   |
|------|-------------|-----|------|--------|------|--------|-------|------|---|
| 1    |             |     |      |        |      |        |       |      | LAMP, Tail Stop Turn  |
|      | 04848420    | 1   |      |        | 29   |        |       |      | Right   |
|      |             | 1   |      |        | 27   |        |       |      | Right   |
|      | 04848421    | 1   |      |        | 29   |        |       |      | Left  |
|      |             | 1   |      |        | 27   |        |       |      | Left  |
|      | 04848424    | 1   |      |        | 29   |        |       |      | Export, Right   |
|      |             | 1   |      |        | 27   |        |       |      | Export, Right   |
|      | 04848425    | 1   |      |        | 29   |        |       |      | Export, Left  |
|      |             | 1   |      |        | 27   |        |       |      | Export, Left  |
| 2    |             |     |      |        |      |        |       |      | LAMP, Back-Up and Turn Signal                                       |
|      | 04642100    | 1   |      |        | 29   |        |       |      | Right   |
|      | 04642101    | 1   |      |        | 29   |        |       |      | Left  |
| -3   | 00153623    | 4   |      |        |      |        |       |      | BULB, P-25-2Tail Lamp   |
| 4    |             |     |      |        |      |        |       |      | WIRING, Taillamp  |
|      | 04848422    | 1   |      |        | 29   |        |       |      |   |
|      | 04848423    | 1   |      |        | 29   |        |       |      | Export  |
| 5    | 06502589    | 10  |      |        | 29   |        |       |      | NUT, Wing, M6Tail Lamp  |
| 6    | 04642929    | 2   |      |        | 29   |        |       |      | LAMP, License Plate   |
| 7    | 04642929    | 2   |      |        |      |        |       |      | SCREW, Not Serviced, (NOT SERVICED)                                 |
| 8    |             |     |      |        |      |        |       |      | BULB, 168   |
|      | L0000168    | 2   |      |        | 27   |        |       |      | License, CHMSL  |
|      |             | 1   |      |        | 29   |        |       |      | License, Dome   |
| 9    |             | 1   |      |        |      |        |       |      | WIRING, License Lamp, Serviced in Uni-Body Harness, (NOT SERVICED), |
| 10   | 04642571    | 1   |      |        | 27   |        |       |      | LAMP, High Mounted Stop, Hi-Mtd. Stop                               |
| 11   | 04848203    | AR  |      |        |      |        |       |      | GROMMET, Lamp, CHMSL  |
| 12   | 04643601    | 1   |      |        | 27   |        |       |      | BRACKET, High Mounted Stop Lamp                                     |
| 13   | 34201942    | 2   |      |        | 27   |        |       |      | CLIP, Panel Fastener, CHMSL Bracket to Lamp                         |
| 14   | 34201942    | 2   |      |        |      |        |       |      | SCREW, Not Serviced, (NOT SERVICED)                                 |
| 15   | 34201942    | 2   |      |        |      |        |       |      | SCREW, Not Serviced, (NOT SERVICED)                                 |
| 16   | 04642910    | 1   |      |        | 27   |        |       |      | PANEL, Chmsl Cover, Cover   |
| 17   | 04642910    | 1   |      |        |      |        |       |      | BRACKET, Not Serviced, (NOT SERVICED)                               |
| 18   |             |     |      |        |      |        |       |      | RIVET, Blind, .156x.460   |

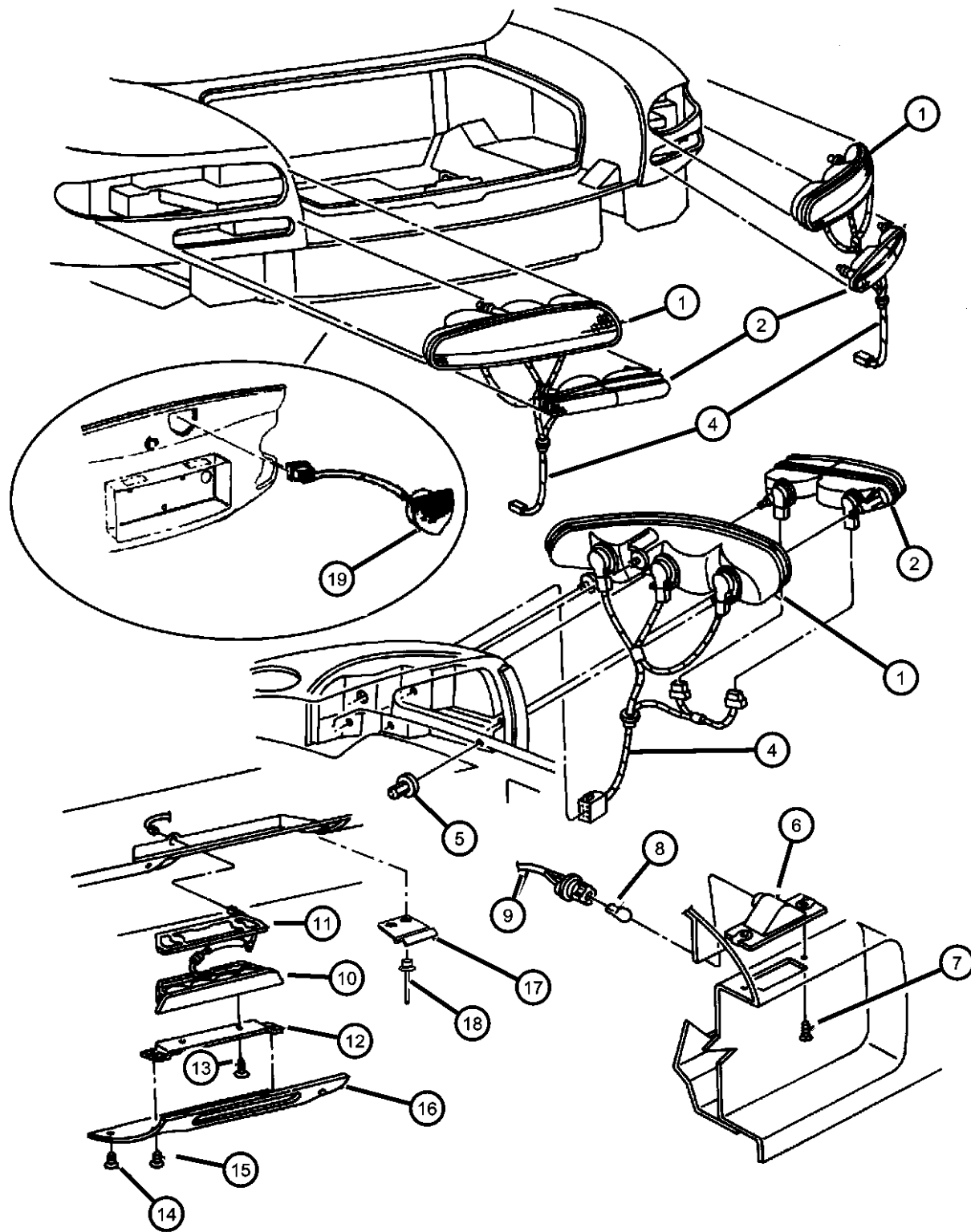
VIPER GTS COUPE,VIPER RT/10 ROADSTER (SR)

| SERIES         | LINE      | BODY                  | ENGINE                    | TRANSMISSION                      |
|----------------|-----------|-----------------------|---------------------------|-----------------------------------|
| S = RT/10      | D = DODGE | 27 = 2-DR CONVERTIBLE | EWB = 8.0L V10 SFI Engine | DEC = 6-Speed Manual Transmission |
| S = GTS Coupe  |           | 29 = SPECIALTY COUPE  |                           | DBB = All Manual Transmissions    |
| X = GTS/Lemans |           |                       |                           |                                   |

AR = use ase required - = Non illustrated part

1997 SR

Lamps and Wiring - Rear  
Figure 8-1110



| ITEM | PART NUMBER | QTY | LINE | SERIES | BODY | ENGINE | TRANS | TRIM | DESCRIPTION          |
|------|-------------|-----|------|--------|------|--------|-------|------|----------------------|
|      | 06034756    | 4   |      |        | 29   |        |       |      |                      |
|      |             | 10  |      |        | 27   |        |       |      |                      |
| 19   | 04763042    | 1   |      |        | 29   |        |       |      | LAMP, Liftgate Chmsl |

VIPER GTS COUPE,VIPER RT/10 ROADSTER (SR)

| SERIES         | LINE      | BODY                  | ENGINE                    | TRANSMISSION                      |
|----------------|-----------|-----------------------|---------------------------|-----------------------------------|
| S = RT/10      | D = DODGE | 27 = 2-DR CONVERTIBLE | EWB = 8.0L V10 SFI Engine | DEC = 6-Speed Manual Transmission |
| S = GTS Coupe  |           | 29 = SPECIALTY COUPE  |                           | DBB = All Manual Transmissions    |
| X = GTS/Lemans |           |                       |                           |                                   |

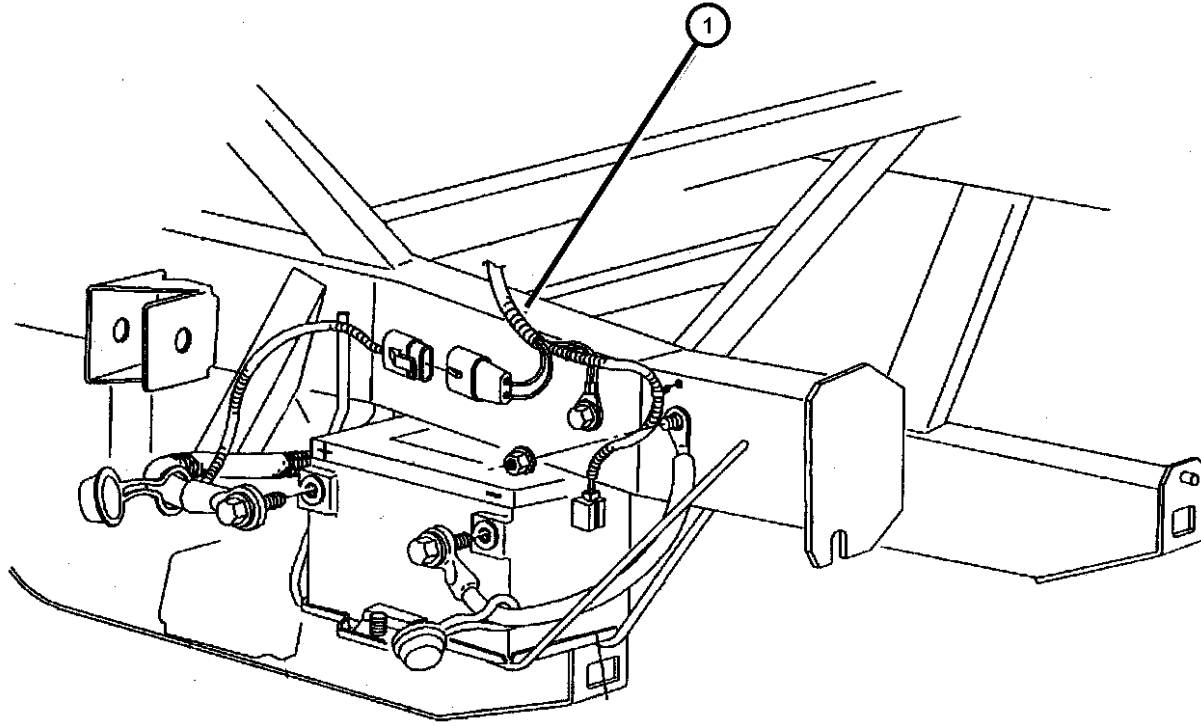
AR = use ase required - = Non illustrated part

1997 SR

**Wiring - Engine and Related Parts  
Figure 8-1205**

| ITEM | PART NUMBER | QTY | LINE | SERIES | BODY | ENGINE | TRANS | TRIM | DESCRIPTION |
|------|-------------|-----|------|--------|------|--------|-------|------|-------------|
|------|-------------|-----|------|--------|------|--------|-------|------|-------------|

EWB= 8.0L V10 SFI



|    |            |   |  |  |  |     |  |  |  |
|----|------------|---|--|--|--|-----|--|--|--|
| 1  |            |   |  |  |  |     |  |  | WIRING, Engine                           |
|    | 04763760AB | 1 |  |  |  | EWB |  |  | Lower                                    |
|    | 04848501   | 1 |  |  |  | EWB |  |  | Intake                                   |
| -2 | 04848285   | 1 |  |  |  | EWB |  |  | WIRING, Alternator                       |
| -3 |            |   |  |  |  |     |  |  | BRACKET, Wire Harness                    |
|    | 04848779   | 1 |  |  |  | EWB |  |  | 3/8 x 1/4                                |
|    | 04848860AA | 1 |  |  |  | EWB |  |  | 1/4 x 1/4                                |
| -4 | 04848344   | 1 |  |  |  | EWB |  |  | BRACKET, Wiring Harness, Wiring Assembly |
| -5 | 04642610AB | 1 |  |  |  |     |  |  | WIRING, Battery Negative                 |
| -6 | 04848507   | 1 |  |  |  | EWB |  |  | WIRING, Engine Ground                    |
| -7 | 56026779   | 1 |  |  |  | EWB |  |  | SENDING UNIT, Oil Pressure               |

**VIPER GTS COUPE,VIPER RT/10 ROADSTER (SR)**

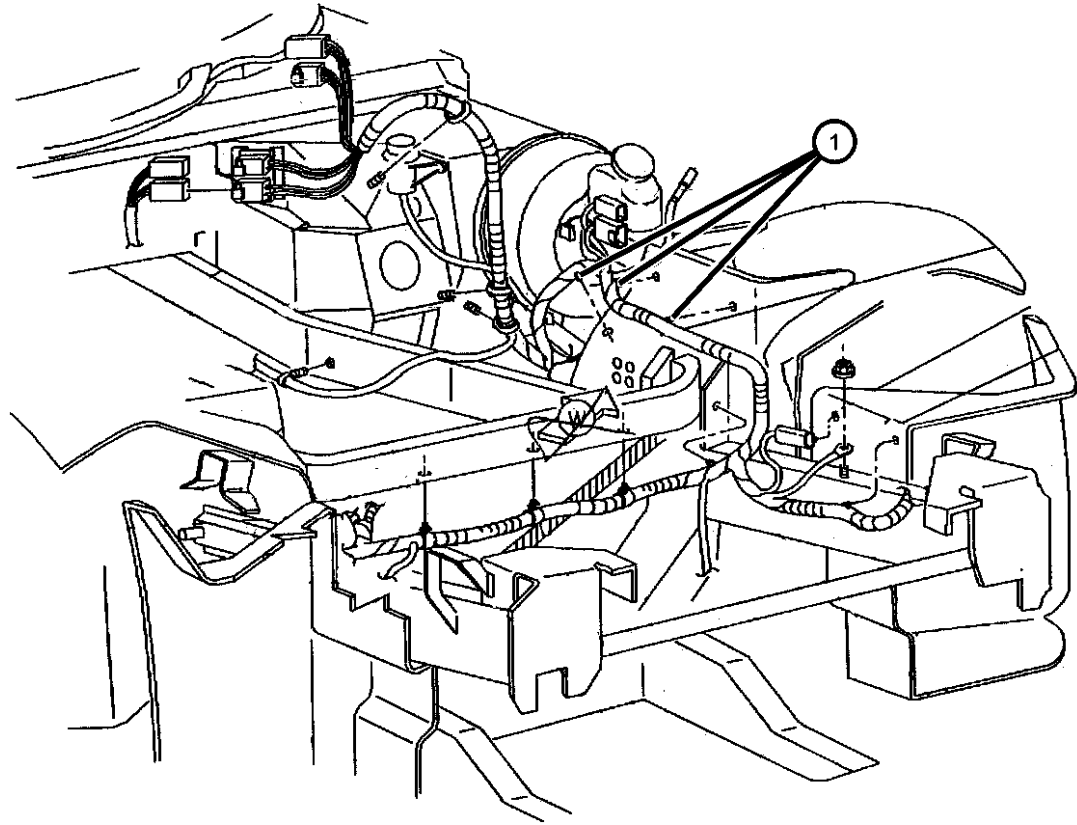
| SERIES         | LINE      | BODY                  | ENGINE                    | TRANSMISSION                      |
|----------------|-----------|-----------------------|---------------------------|-----------------------------------|
| S = RT/10      | D = DODGE | 27 = 2-DR CONVERTIBLE | EWB = 8.0L V10 SFI Engine | DEC = 6-Speed Manual Transmission |
| S = GTS Coupe  |           | 29 = SPECIALTY COUPE  |                           | DBB = All Manual Transmissions    |
| X = GTS/Lemans |           |                       |                           |                                   |

AR = use ase required - = Non illustrated part

1997 SR

**Wiring - Headlamp to Dash  
Figure 8-1305**

| ITEM | PART NUMBER | QTY | LINE | SERIES | BODY | ENGINE | TRANS | TRIM | DESCRIPTION   |
|------|-------------|-----|------|--------|------|--------|-------|------|---|
| 1    | 04763082AD  | 1   |      |        |      |        |       |      | WIRING, Headlamp to Dash<br>Up to 02/10/97            |
|      | 04763082AE  | 1   |      |        |      |        |       |      | After 02/10/97  |
| -2   |             |     |      |        |      |        |       |      | FLASHER   |
|      | 02932877    | 1   |      |        |      |        |       |      | Combination   |
|      | 56007098    | 1   |      |        |      |        |       |      |   |
| -3   | 04604611    | 1   |      |        |      |        |       |      | COVER, Power Distribution Center                      |
| -4   |             |     |      |        |      |        |       |      | LABEL, Fuse Block                                     |
|      | 04848579    | 1   |      |        |      |        |       |      | Fuse & Relay Top Cover                                |
|      | 04848772    | 1   |      |        |      |        |       |      | Fuse Identification                                   |
|      | 04848797    | 1   |      |        |      |        |       |      | Top Cover Fuses                                       |
| -5   | 04848796    | 1   |      |        |      |        |       |      | LABEL, Relay Identification, ISO<br>Relay (Top Cover) |



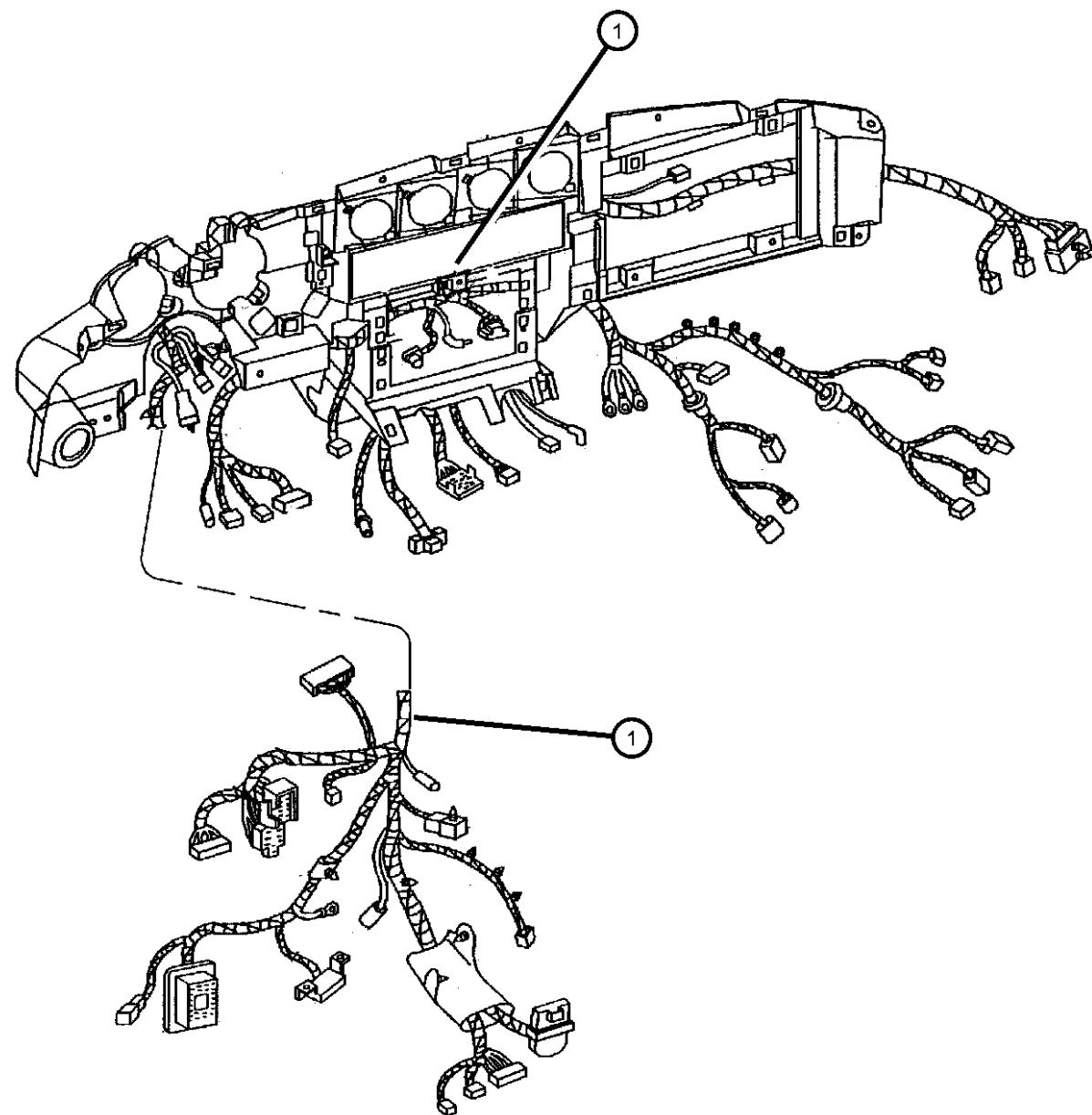
**VIPER GTS COUPE,VIPER RT/10 ROADSTER (SR)**

| SERIES         | LINE      | BODY                  | ENGINE                    | TRANSMISSION                      |
|----------------|-----------|-----------------------|---------------------------|-----------------------------------|
| S = RT/10      | D = DODGE | 27 = 2-DR CONVERTIBLE | EWB = 8.0L V10 SFI Engine | DEC = 6-Speed Manual Transmission |
| S = GTS Coupe  |           | 29 = SPECIALTY COUPE  |                           | DBB = All Manual Transmissions    |
| X = GTS/Lemans |           |                       |                           |                                   |

AR = use ase required - = Non illustrated part

1997 SR

Wiring - Instrument Panel  
Figure 8-1405



| ITEM | PART NUMBER | QTY | LINE | SERIES | BODY | ENGINE | TRANS | TRIM | DESCRIPTION              |
|------|-------------|-----|------|--------|------|--------|-------|------|--------------------------|
| 1    | 04763138AC  | 1   |      |        |      |        |       |      | WIRING, Instrument Panel |
| -2   | 04848076    | AR  |      |        |      |        |       |      | BLOCK, Fuse              |
| -3   |             |     |      |        |      |        |       |      | FLASHER                  |
|      | 02932877    | 1   |      |        |      |        |       |      | Turn Signal              |
|      | 56007098    | 1   |      |        |      |        |       |      | Combination              |

VIPER GTS COUPE,VIPER RT/10 ROADSTER (SR)

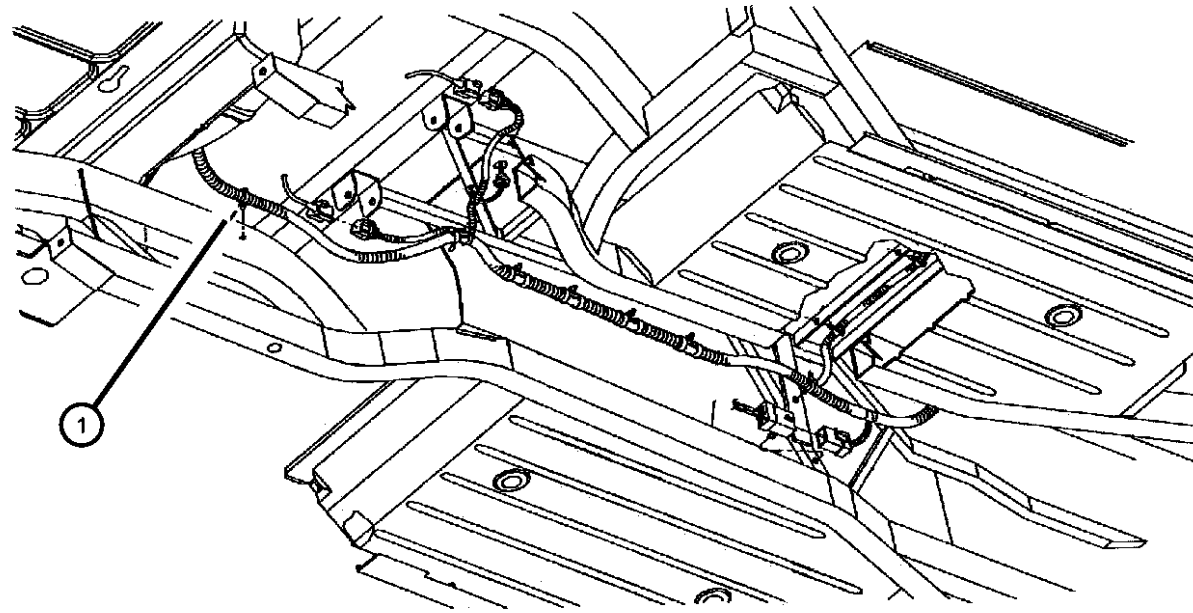
| SERIES         | LINE      | BODY                  | ENGINE                    | TRANSMISSION                      |
|----------------|-----------|-----------------------|---------------------------|-----------------------------------|
| S = RT/10      | D = DODGE | 27 = 2-DR CONVERTIBLE | EWB = 8.0L V10 SFI Engine | DEC = 6-Speed Manual Transmission |
| S = GTS Coupe  |           | 29 = SPECIALTY COUPE  |                           | DBB = All Manual Transmissions    |
| X = GTS/Lemans |           |                       |                           |                                   |

AR = use ase required - = Non illustrated part

1997 SR



**Wiring - Body and Accessories**  
**Figure 8-1505**



| ITEM              | PART NUMBER | QTY | LINE | SERIES | BODY | ENGINE | TRANS | TRIM | DESCRIPTION                        |
|-------------------|-------------|-----|------|--------|------|--------|-------|------|------------------------------------|
| EWB= 8.0L V10 SFI |             |     |      |        |      |        |       |      |                                    |
| 1                 |             |     |      |        |      |        |       |      | WIRING, Unified Body               |
|                   | 04763077AB  | 1   |      |        | 29   |        |       |      |                                    |
|                   | 04848158AB  | 1   |      |        | 27   |        |       |      |                                    |
| -2                | 05245041    | 1   |      |        |      |        |       |      | WIRING, Transmission               |
| -3                | 04763057AB  | 1   |      |        |      |        |       |      | WIRING, Battery Positive           |
| -4                | 04642610AB  | 1   |      |        |      |        |       |      | WIRING, Battery Negative           |
| -5                | 04763806AB  | 1   |      |        |      | EWB    |       |      | HARNESS, CCV To Air Cleaner        |
| -6                | 04763804AC  | 1   |      |        |      | EWB    |       |      | HARNESS, Canister Purge            |
| -7                | 04763767AB  | 1   |      |        |      | EWB    |       |      | HARNESS, PCV                       |
| -8                |             |     |      |        |      |        |       |      | WIRING, Door                       |
|                   | 04763075AB  | 1   |      |        |      |        |       |      | Left                               |
|                   | 04763076AB  | 1   |      |        |      |        |       |      | Right                              |
| -9                | 04481618    | 2   |      |        |      |        |       |      | WIRING, Side Repeater Lamp, Export |
| -10               | 04709138    | 1   |      |        |      |        |       |      | WIRING, Side Marker Jumper         |
| -11               | 04848156AC  | 1   |      |        | 29   |        |       |      | WIRING, Electric Back LightGround  |
| -12               | 04708364    | 1   |      |        |      |        |       |      | WIRING, Heater and A/C, Sub-Assy.  |
| -13               | 04886109AA  | 1   |      |        | 27   |        |       |      | WIRING, Mirror Jumper              |

**VIPER GTS COUPE,VIPER RT/10 ROADSTER (SR)**

|                |           |                       |                           |                                   |
|----------------|-----------|-----------------------|---------------------------|-----------------------------------|
| SERIES         | LINE      | BODY                  | ENGINE                    | TRANSMISSION                      |
| S = RT/10      | D = DODGE | 27 = 2-DR CONVERTIBLE | EWB = 8.0L V10 SFI Engine | DEC = 6-Speed Manual Transmission |
| S = GTS Coupe  |           | 29 = SPECIALTY COUPE  |                           | DBB = All Manual Transmissions    |
| X = GTS/Lemans |           |                       |                           |                                   |

AR = use ase required - = Non illustrated part

**Connector Repair Package  
Figure 8-1610**

| ITEM | PART NUMBER | QTY | LINE | SERIES | BODY | ENGINE | TRANS | TRIM | DESCRIPTION   |
|------|-------------|-----|------|--------|------|--------|-------|------|---|
| -1   | 05013930AA  | 1   |      |        |      |        |       |      | WIRING PACKAGE, Underhood Connector Repair, For Electrical Connector Repair Information visit the World Wide Web at <a href="http://dto.vftis.com/mopar/disclaimer.asp">http://dto.vftis.com/mopar/disclaimer.asp</a> |

For Electrical Connector Repair Information visit the World Wide Web at

<http://dto.vftis.com/mopar/disclaimer.asp>

**VIPER GTS COUPE,VIPER RT/10 ROADSTER (SR)**

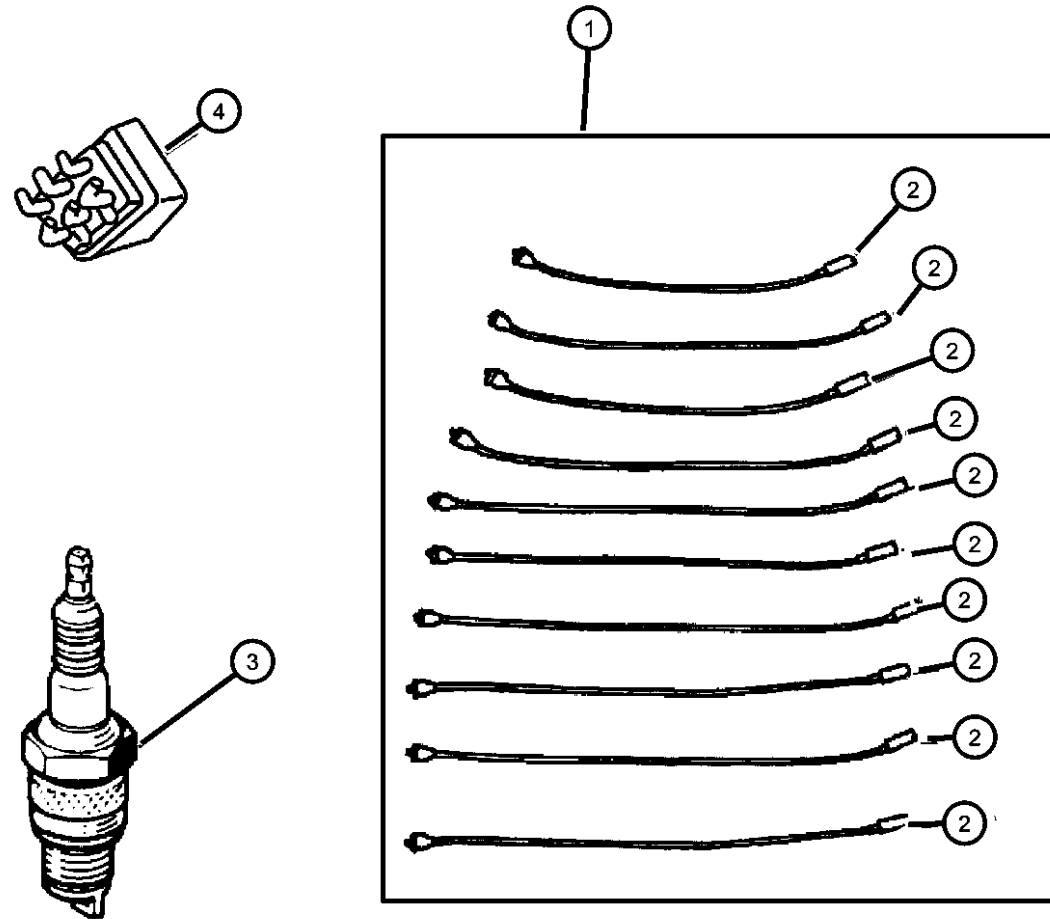
|                |           |                       |                           |                                   |
|----------------|-----------|-----------------------|---------------------------|-----------------------------------|
| SERIES         | LINE      | BODY                  | ENGINE                    | TRANSMISSION                      |
| S = RT/10      | D = DODGE | 27 = 2-DR CONVERTIBLE | EWB = 8.0L V10 SFI Engine | DEC = 6-Speed Manual Transmission |
| S = GTS Coupe  |           | 29 = SPECIALTY COUPE  |                           | DBB = All Manual Transmissions    |
| X = GTS/Lemans |           |                       |                           |                                   |

AR = use ase required - = Non illustrated part

1997 SR

Spark Plugs - Cables - Coil  
Figure 8-1905

| ITEM              | PART NUMBER | QTY | LINE | SERIES | BODY | ENGINE | TRANS | TRIM | DESCRIPTION   |
|-------------------|-------------|-----|------|--------|------|--------|-------|------|---|
| EWB= 8.0L V10 SFI |             |     |      |        |      |        |       |      |   |
| 1                 | 04883365AA  | 1   |      |        |      | EWB    |       |      | CABLE PACKAGE, Ignition, Spark Plug                                 |
| 2                 |             |     |      |        |      |        |       |      | WIRE, Spark Plug  |
|                   | 04763780    | 1   |      |        |      | EWB    |       |      | [#1]  |
|                   | 04763781    | 1   |      |        |      | EWB    |       |      | [#2]  |
|                   | 04763782    | 1   |      |        |      | EWB    |       |      | [#3]  |
|                   | 04763783    | 1   |      |        |      | EWB    |       |      | [#4]  |
|                   | 04763784    | 1   |      |        |      | EWB    |       |      | [#5]  |
|                   | 04763785    | 1   |      |        |      | EWB    |       |      | [#6]  |
|                   | 04763786    | 1   |      |        |      | EWB    |       |      | [#7]  |
|                   | 04763787    | 1   |      |        |      | EWB    |       |      | [#8]  |
|                   | 04763788    | 1   |      |        |      | EWB    |       |      | [#9]  |
|                   | 04763789    | 1   |      |        |      | EWB    |       |      | [#10]   |
| 3                 | 56027275    | 10  |      |        |      | EWB    |       |      | SPARK PLUG, RC-12-LYC5  |
|                   | OSP00436    |     |      |        |      |        |       |      | Canadian Aftermarket Part   |
| 4                 | 05245237    | 7   |      |        |      | EWB    |       |      | SEPERATOR, Ignition Cable, Attaches to Thermo.Housing, 4 or 5 Place |
| -5                | 53020419    | 10  |      |        |      | EWB    |       |      | SHIELD, Heat, Spark Plug  |
| -6                |             |     |      |        |      |        |       |      | COIL, Ignition  |
|                   | 56032520    | 1   |      |        |      | EWB    |       |      | Six Lead  |
|                   | 56032521    | 1   |      |        |      | EWB    |       |      | Four Lead   |



VIPER GTS COUPE,VIPER RT/10 ROADSTER (SR)

| SERIES         | LINE      | BODY                  | ENGINE                    | TRANSMISSION                      |
|----------------|-----------|-----------------------|---------------------------|-----------------------------------|
| S = RT/10      | D = DODGE | 27 = 2-DR CONVERTIBLE | EWB = 8.0L V10 SFI Engine | DEC = 6-Speed Manual Transmission |
| S = GTS Coupe  |           | 29 = SPECIALTY COUPE  |                           | DBB = All Manual Transmissions    |
| X = GTS/Lemans |           |                       |                           |                                   |

AR = use ase required - = Non illustrated part

# Group - 08A

## Instrument Panel and Radios and Consoles

## Group - 08A Instrument Panel and Radios and Consoles

Illustration Title

Group-Fig. No.

### Instrument Panel

Instrument Panel ..... Fig. 08A - 110

### Instrument Panel Cluster

Gauge Cluster ..... Fig. 08A - 210

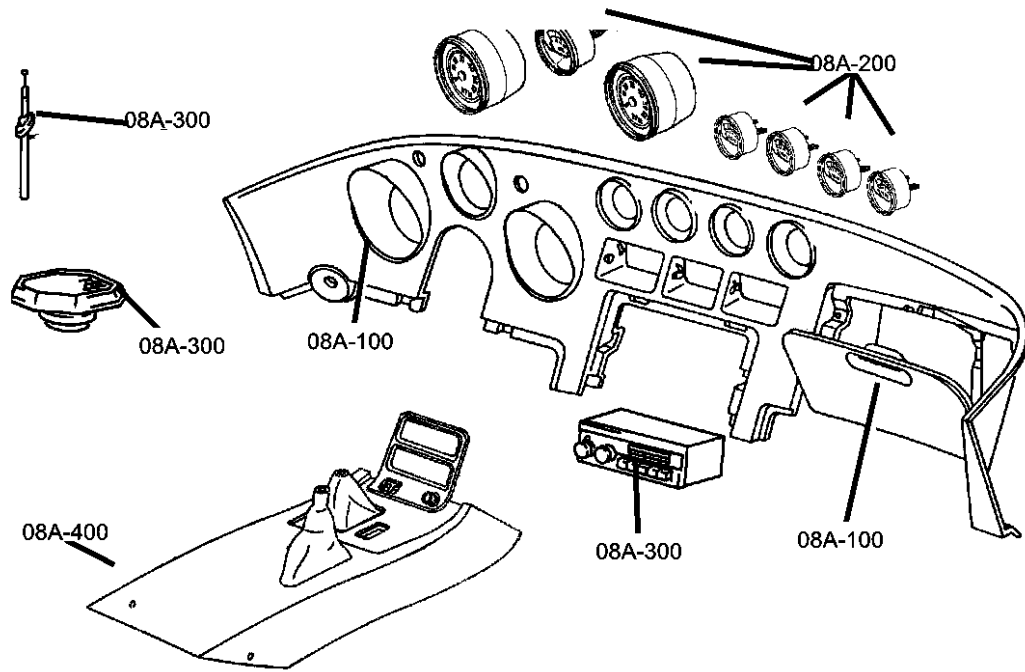
### Radio, Antenna, and Speakers

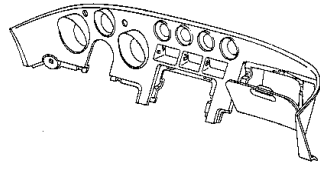
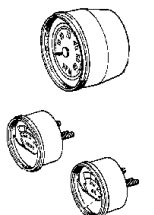
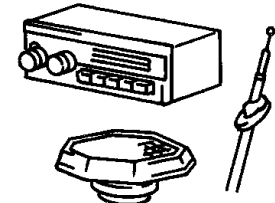
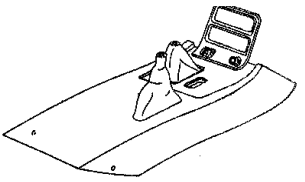
Radios ..... Fig. 08A - 305

Antenna-Speakers ..... Fig. 08A - 310

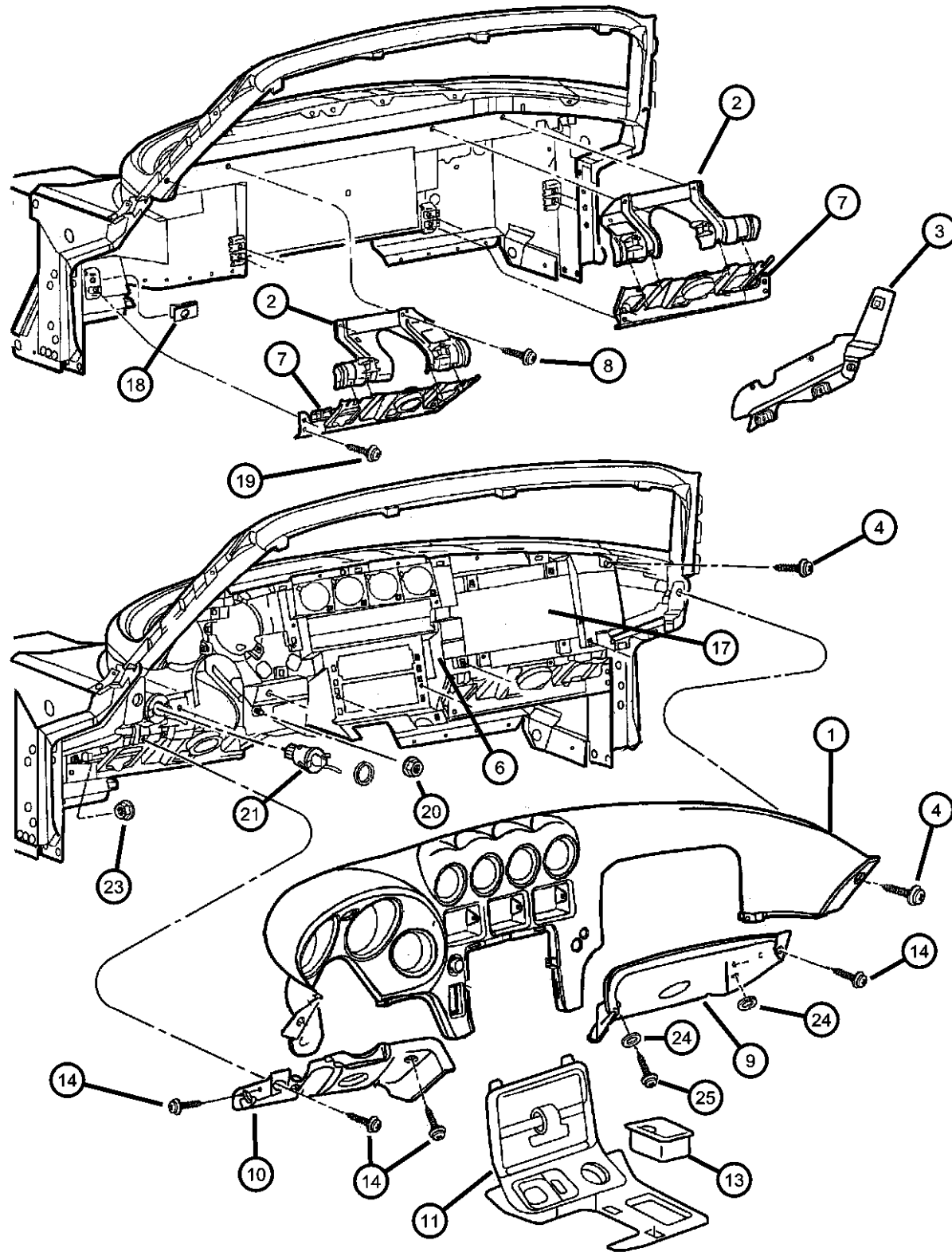
### Consoles

Console ..... Fig. 08A - 410



|   |  |   |  |
|---|--|---|--|
| <p><b>08A-100</b><br/>Instrument Panel</p>  | <p><b>08A-200</b><br/>Instrument Panel Cluster</p>  | <p><b>08A-300</b><br/>Radio, Antenna, and Speakers</p>  | <p><b>08A-400</b><br/>Consoles</p>  |
|---|--|---|--|

Instrument Panel  
Figure 08A-110



| ITEM | PART NUMBER | QTY | LINE | SERIES | BODY | ENGINE | TRANS | TRIM | DESCRIPTION                                |
|------|-------------|-----|------|--------|------|--------|-------|------|--|
| 1    | 0LB39SX4AD  | 1   |      |        |      |        |       |      | FASCIA, Instrument Panel                   |
| 2    |             |     |      |        |      |        |       |      | SUPPORT, Instrument Panel                  |
|      | 04763604    | 1   |      |        |      |        |       |      | Right                                      |
|      | 04763605    | 1   |      |        |      |        |       |      | Left                                       |
| 3    |             |     |      |        |      |        |       |      | PANEL, Instrument Closure                  |
|      | 05245939AB  | 1   |      |        |      |        |       |      | Right                                      |
|      | 05245962AB  | 1   |      |        |      |        |       |      | Left                                       |
| 4    | 06032723    | 23  |      |        |      |        |       |      | SCREW, Self Tapping, M4.2x1.69x19.05       |
| -5   | 06034833    | 36  |      |        |      |        |       |      | CLIP, Push, .164-7.5, Fascia Mounting      |
| 6    | 04763468    | 1   |      |        |      |        |       |      | CARRIER, Instrument Panel                  |
| 7    |             |     |      |        |      |        |       |      | PLATE, Instrument Panel Support            |
|      | 04763610    | 1   |      |        |      |        |       |      | Right                                      |
|      | 04763611    | 1   |      |        |      |        |       |      | Left                                       |
| 8    | 00154555    | 2   |      |        |      |        |       |      | SCREW                                      |
| 9    | 0LB36BX7AC  | 1   |      |        |      |        |       |      | PAD, Instrument Panel, Black, Lower, Right |
| 10   | 0QN71SX7AB  | 1   |      |        |      |        |       |      | PAD, Instrument Panel, Black, Lower, Left  |
| 11   |             |     |      |        |      |        |       |      | BEZEL, Instrument Panel                    |
|      | 0KS79MX4AB  | 1   |      |        | 29   |        |       |      | Black, Center                              |
|      | 0PK84MX4AB  | 1   |      |        | 27   |        |       |      | Black, Center                              |
| -12  |             |     |      |        |      |        |       |      | CLIP, M5.35x12.65                          |
|      | 06032268    | 6   |      |        | 29   |        |       |      | Center Bezel attaching                     |
|      |             | 6   |      |        | 27   |        |       |      | Center Bezel attaching                     |
| 13   | 0D221SX8    | 1   |      |        |      |        |       |      | ASH RECEIVER, Rear Door                    |
| 14   | 06035625    | 3   |      |        |      |        |       |      | SCREW                                      |
| -15  | 04848773    | 1   |      |        |      |        |       |      | COVER, Fuse Access                         |
| -16  | 04848772    | 1   |      |        |      |        |       |      | LABEL, Fuse Block, Fuse Identification     |
| 17   |             |     |      |        |      |        |       |      | AIR BAG, Passenger                         |
|      | 0MB62MX4    | 1   |      |        |      |        |       |      | Black                                      |
|      | 0MB62SX4AB  | 1   |      |        |      |        |       |      | Black, Export                              |
| 18   | 0MB62SX4AB  | 1   |      |        |      |        |       |      | U-NUT, [.190-16], (NOT SERVICED),          |
| 19   | 0MB62SX4AB  | 1   |      |        |      |        |       |      | SCREW, .190-12x.625, (NOT SERVICED)        |
| 20   | 34202304    | 2   |      |        |      |        |       |      | NUT, M5x.8                                 |
| 21   |             |     |      |        |      |        |       |      | SWITCH, Headlamp                           |

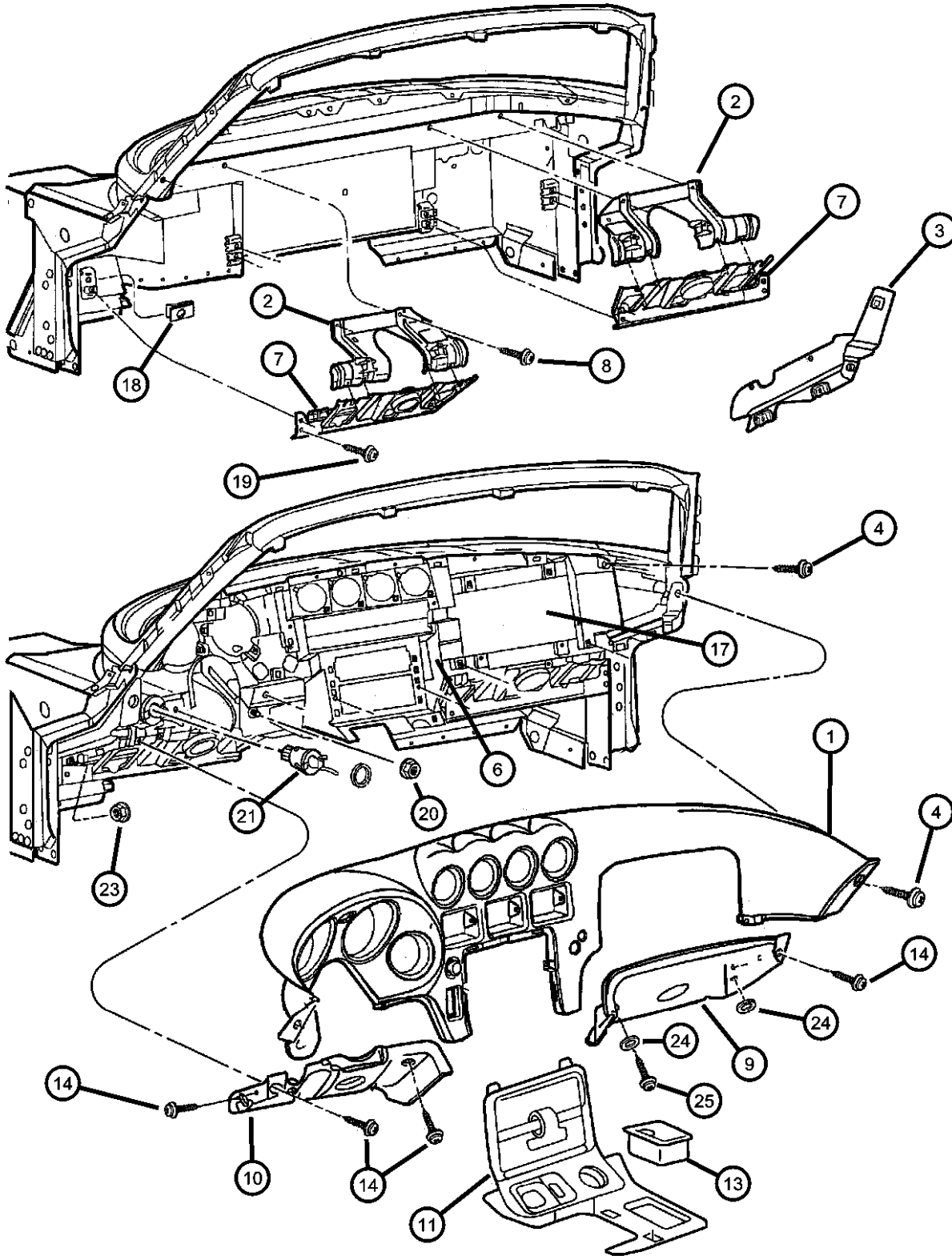
VIPER GTS COUPE,VIPER RT/10 ROADSTER (SR)

| SERIES         | LINE      | BODY                  | ENGINE                    | TRANSMISSION                      |
|----------------|-----------|-----------------------|---------------------------|-----------------------------------|
| S = RT/10      | D = DODGE | 27 = 2-DR CONVERTIBLE | EWB = 8.0L V10 SFI Engine | DEC = 6-Speed Manual Transmission |
| S = GTS Coupe  |           | 29 = SPECIALTY COUPE  |                           | DBB = All Manual Transmissions    |
| X = GTS/Lemans |           |                       |                           |                                   |

AR = use ase required - = Non illustrated part

1997 SR

Instrument Panel  
Figure 08A-110



| ITEM | PART NUMBER | QTY | LINE | SERIES | BODY | ENGINE | TRANS | TRIM | DESCRIPTION   |
|------|-------------|-----|------|--------|------|--------|-------|------|---|
|      | 04763135    | 1   |      |        |      |        |       |      | Export  |
|      | 04763596    | 1   |      |        |      |        |       |      | Export  |
| -22  | 05245299AB  | 1   |      |        |      |        |       |      | MODULE, Lighting Control, Instrument Panel Lamp dimming CAP |
| 23   | 04848798    | 1   |      |        | 29   |        |       |      | WASHER, (NOT SERVICED)                                      |
| 24   | 04848798    | 1   |      |        |      |        |       |      | SCREW, [.190-16x2.00], (NOT SERVICED)                       |
| 25   | 04848798    | 1   |      |        |      |        |       |      | SCREW, [.190-16x2.00], (NOT SERVICED)                       |
| -26  | 04848664    | 1   |      |        | 29   |        |       |      | WIRING, LED Security, w/Red Lens                            |
| -27  | 04848663    | 1   |      |        | 29   |        |       |      | BEZEL, Windshield Frame                                     |

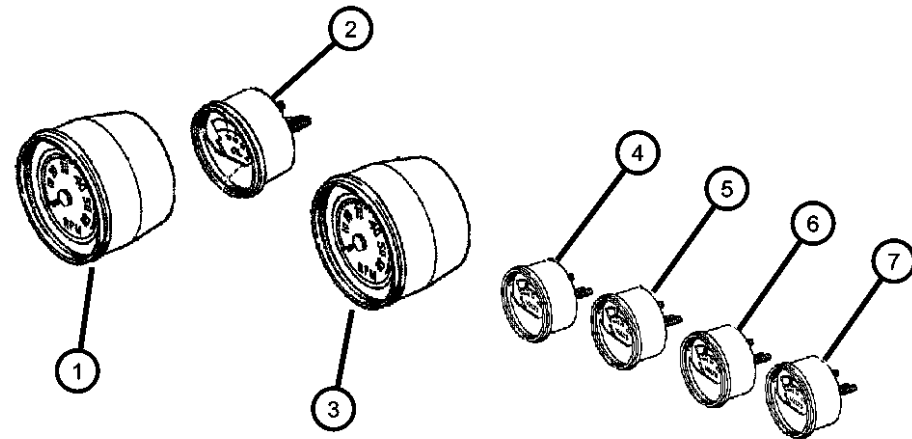
VIPER GTS COUPE,VIPER RT/10 ROADSTER (SR)

| SERIES         | LINE      | BODY                  | ENGINE                    | TRANSMISSION                      |
|----------------|-----------|-----------------------|---------------------------|-----------------------------------|
| S = RT/10      | D = DODGE | 27 = 2-DR CONVERTIBLE | EWB = 8.0L V10 SFI Engine | DEC = 6-Speed Manual Transmission |
| S = GTS Coupe  |           | 29 = SPECIALTY COUPE  |                           | DBB = All Manual Transmissions    |
| X = GTS/Lemans |           |                       |                           |                                   |

AR = use ase required - = Non illustrated part

1997 SR

Gauge Cluster  
Figure 08A-210



| ITEM | PART NUMBER | QTY | LINE | SERIES | BODY | ENGINE | TRANS | TRIM | DESCRIPTION                                   |
|------|-------------|-----|------|--------|------|--------|-------|------|---|
| 1    | 04763850AB  | 1   |      |        |      |        |       |      | GAUGE, Speedometer<br>With MPH                |
|      | 04763853AB  | 1   |      |        |      |        |       |      | With KPH                                      |
| 2    | 04763851AB  | 1   |      |        |      |        |       |      | GAUGE, Tachometer                             |
| 3    | 04763128AB  | 1   |      |        |      |        |       |      | MODULE, Message Center,<br>Warning Indicators |
| 4    | 04642133AB  | 1   |      |        |      |        |       |      | GAUGE, Oil Pressure                           |
|      | 04643966AB  | 1   |      |        |      |        |       |      | Export  |
| 5    | 04642134AB  | 1   |      |        |      |        |       |      | GAUGE, Temperature                            |
|      | 04643967AB  | 1   |      |        |      |        |       |      | Export  |
| 6    | 04642135AB  | 1   |      |        |      |        |       |      | GAUGE, Volt                                   |
| 7    | 04848581AB  | 1   |      |        |      |        |       |      | GAUGE, Fuel                                   |
| -8   | 04848154    | 1   |      |        |      |        |       |      | CHIMNEY, Cluster, Turn Signal                 |

VIPER GTS COUPE,VIPER RT/10 ROADSTER (SR)

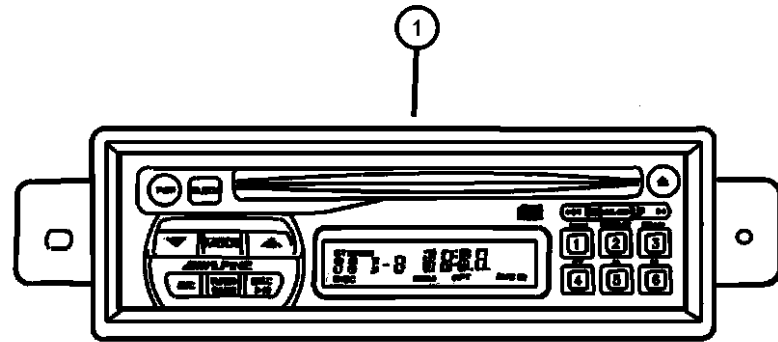
|                |           |                       |                           |                                   |
|----------------|-----------|-----------------------|---------------------------|-----------------------------------|
| SERIES         | LINE      | BODY                  | ENGINE                    | TRANSMISSION                      |
| S = RT/10      | D = DODGE | 27 = 2-DR CONVERTIBLE | EWB = 8.0L V10 SFI Engine | DEC = 6-Speed Manual Transmission |
| S = GTS Coupe  |           | 29 = SPECIALTY COUPE  |                           | DBB = All Manual Transmissions    |
| X = GTS/Lemans |           |                       |                           |                                   |

AR = use ase required - = Non illustrated part

1997 SR

**Radios  
Figure 08A-305**

| ITEM                            | PART NUMBER | QTY | LINE | SERIES | BODY | ENGINE | TRANS | TRIM | DESCRIPTION  |
|---------------------------------|-------------|-----|------|--------|------|--------|-------|------|--|
| RBH=PREMIUM, ALPINE STEREO W/CD |             |     |      |        |      |        |       |      |  |
| 1                               |             |     |      |        |      |        |       |      | RADIO, AM/FM with CD                                     |
|                                 | 04763982AB  | 1   |      |        |      |        |       |      | Sales Code (RBH)   |
|                                 | 04848134AB  | 1   |      |        |      |        |       |      | Sales Code (RBH), Export                                 |
| -2                              | 06032723    | 2   |      |        |      |        |       |      | SCREW, Self Tapping,<br>M4.2x1.69x19.05, Radio Attaching |
| -3                              | 04763136    | 1   |      |        |      |        |       |      | BRACKET, Radio   |



RBH

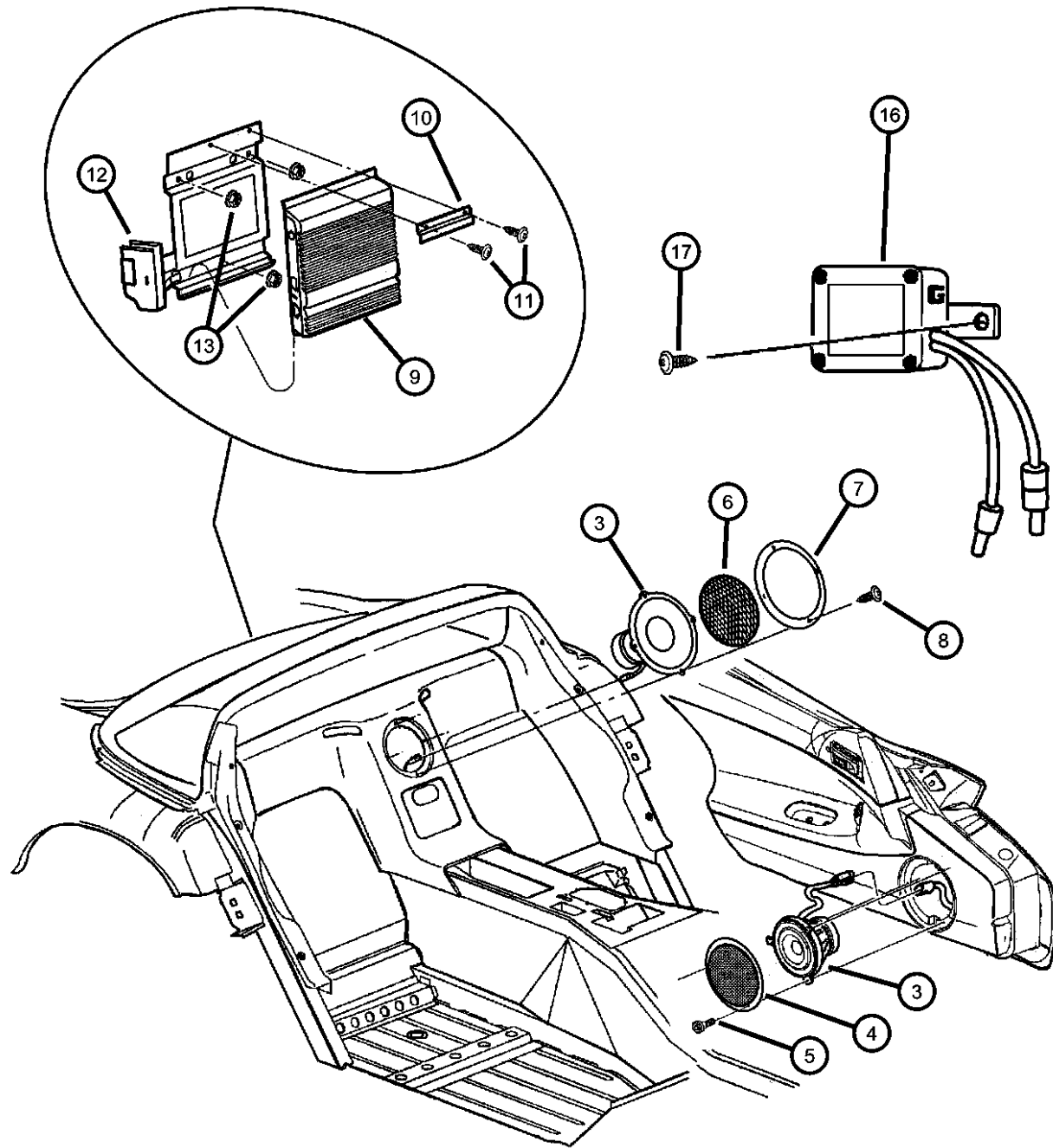
**VIPER GTS COUPE,VIPER RT/10 ROADSTER (SR)**

| SERIES         | LINE      | BODY                  | ENGINE                    | TRANSMISSION                      |
|----------------|-----------|-----------------------|---------------------------|-----------------------------------|
| S = RT/10      | D = DODGE | 27 = 2-DR CONVERTIBLE | EWB = 8.0L V10 SFI Engine | DEC = 6-Speed Manual Transmission |
| S = GTS Coupe  |           | 29 = SPECIALTY COUPE  |                           | DBB = All Manual Transmissions    |
| X = GTS/Lemans |           |                       |                           |                                   |

AR = use ase required - = Non illustrated part



Antenna-Speakers  
Figure 08A-310



| ITEM | PART NUMBER | QTY | LINE | SERIES | BODY | ENGINE | TRANS | TRIM | DESCRIPTION  |
|------|-------------|-----|------|--------|------|--------|-------|------|--|
| -1   | 04763136    | 1   |      |        |      |        |       |      | ANTENNA, Serviced with Windshield, (NOT REQUIRED)                          |
| -2   | 04848850AC  | 1   |      |        |      |        |       |      | COVER, Antenna Opening   |
| 3    | 04848850AC  | 1   |      |        |      |        |       |      | SPEAKER, 6.5", All Speakers Serviced Only By ALPINE Dealer, (NOT SERVICED) |
| 4    | 05245738    | 2   | D    |        | 29   |        |       |      | GRILLE, SpeakerDoor  |
| 5    | 05245738    | 2   |      |        |      |        |       |      | SCREW, .164-18x1.5 Not Serviced, (NOT SERVICED)                            |
| 6    | 04848147    | 1   |      |        | 27   |        |       |      | GRILLE, SpeakerCenter  |
| 7    | 04848147    | 1   |      |        |      |        |       |      | RING, Speaker, (NOT SERVICED)  |
| 8    | 04848147    | 1   |      |        |      |        |       |      | SCREW, .164-15x.750, (NOT SERVICED)  |
| 9    | 04848147    | 1   |      |        |      |        |       |      | AMPLIFIER, Radio, Serviced Only By ALPINE Dealer, (NOT SERVICED)           |
| 10   | 04848139    | 1   |      |        |      |        |       |      | BRACKET, Amplifier Retainer  |
| 11   | 06100557    | 2   |      |        |      |        |       |      | BOLT AND CONED WASHER, Hex Head, M6x20x14, Amplifier Retainer Attaching    |
| 12   | 04848137    | 1   |      |        |      |        |       |      | BRACKET, Amplifier, Assembly   |
| 13   | 34201358    | 3   |      |        |      |        |       |      | NUT AND WASHER, Hex Nut-Sealing Washer, M6 x 1.00Amplifier Attaching       |
| -14  | 04709110    | 1   |      |        |      |        |       |      | CABLE, Amplifier Box, With Shield  |
| -15  | 04709112    | 1   |      |        |      |        |       |      | GROMMET, Antenna Amplifier   |
| 16   | 04709109    | 1   |      |        |      |        |       |      | BOX, Antenna Amplifier   |
| 17   | 04709109    | 1   |      |        |      |        |       |      | SCREW, .190-16X.375, (NOT SERVICED)  |
| -18  | 04848082    | 1   |      |        |      |        |       |      | HOLDER, Fuse, Block  |

VIPER GTS COUPE,VIPER RT/10 ROADSTER (SR)

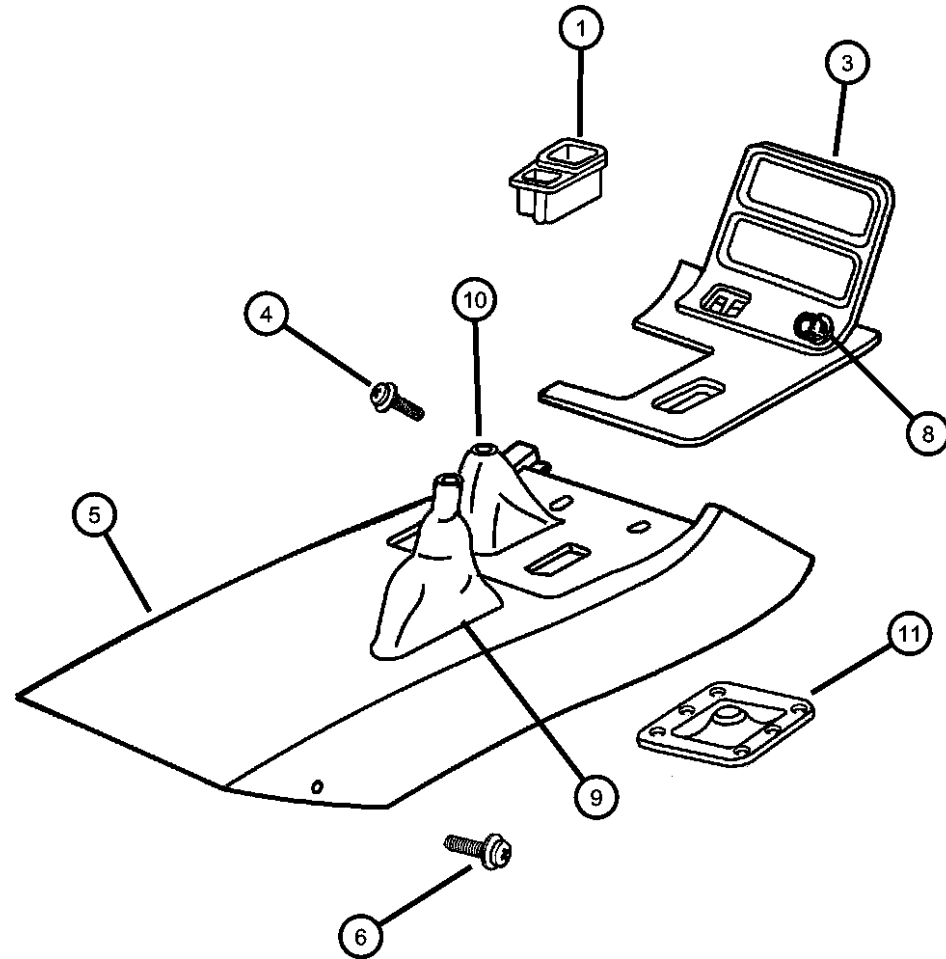
| SERIES         | LINE      | BODY                  | ENGINE                    | TRANSMISSION                      |
|----------------|-----------|-----------------------|---------------------------|-----------------------------------|
| S = RT/10      | D = DODGE | 27 = 2-DR CONVERTIBLE | EWB = 8.0L V10 SFI Engine | DEC = 6-Speed Manual Transmission |
| S = GTS Coupe  |           | 29 = SPECIALTY COUPE  |                           | DBB = All Manual Transmissions    |
| X = GTS/Lemans |           |                       |                           |                                   |

AR = use ase required - = Non illustrated part

1997 SR

**Console  
Figure 08A-410**

| ITEM | PART NUMBER | QTY | LINE | SERIES | BODY | ENGINE | TRANS | TRIM | DESCRIPTION   |
|------|-------------|-----|------|--------|------|--------|-------|------|---|
| 1    | 0D221SX8    | 1   |      |        |      |        |       |      | ASH RECEIVER, Rear Door, (Black)                      |
| -2   |             |     |      |        |      |        |       |      | CLIP, Ash Receiver Retention                          |
|      | 04643872    | 2   |      |        | 29   |        |       |      |   |
|      |             | 2   |      |        | 27   |        |       |      |   |
| 3    |             |     |      |        |      |        |       |      | BEZEL, Instrument Panel, Center                       |
|      | 0KS79MX4    | 1   |      |        | 29   |        |       |      |   |
|      | 0PK84MX4    | 1   |      |        | 27   |        |       |      |   |
| 4    | 0PK84MX4    | 1   |      |        |      |        |       |      | SCREW, (NOT SERVICED)                                 |
| 5    | 0PF25TX7    | 1   |      |        |      |        |       |      | CONSOLE, Front, Assembly (Items 7 & 8 Included) Black |
| 6    | 0PF25TX7    | 1   |      |        |      |        |       |      | SCREW, (NOT SERVICED)                                 |
| -7   |             |     |      |        |      |        |       |      | SHELL, Cigar Lighter                                  |
|      | 03747633    | 1   |      |        | 29   |        |       |      | with Clamp  |
|      |             | 1   |      |        | 27   |        |       |      | with Clamp  |
|      | 03747634    | 1   |      |        | 29   |        |       |      |   |
|      |             | 1   |      |        | 27   |        |       |      |   |
| 8    | 04373688    | 1   |      |        |      |        |       |      | KNOB AND ELEMENT, Cigar Lighter                       |
| 9    | 0PD66TX9    | 1   | D    |        | 29   |        |       |      | BOOT, Parking Brake Lever, Black                      |
| 10   | 0PD67TX9    | 1   | D    |        | 29   |        |       |      | BOOT, Gearshift, Black, Leather                       |
| 11   | 04848038    | 1   |      |        |      |        |       |      | BOOT, Gearshift, Rubber Base                          |



**VIPER GTS COUPE,VIPER RT/10 ROADSTER (SR)**

|                |           |                       |                           |                                   |
|----------------|-----------|-----------------------|---------------------------|-----------------------------------|
| SERIES         | LINE      | BODY                  | ENGINE                    | TRANSMISSION                      |
| S = RT/10      | D = DODGE | 27 = 2-DR CONVERTIBLE | EWB = 8.0L V10 SFI Engine | DEC = 6-Speed Manual Transmission |
| S = GTS Coupe  |           | 29 = SPECIALTY COUPE  |                           | DBB = All Manual Transmissions    |
| X = GTS/Lemans |           |                       |                           |                                   |

AR = use ase required - = Non illustrated part

# Group - 9

## Engine Mounting

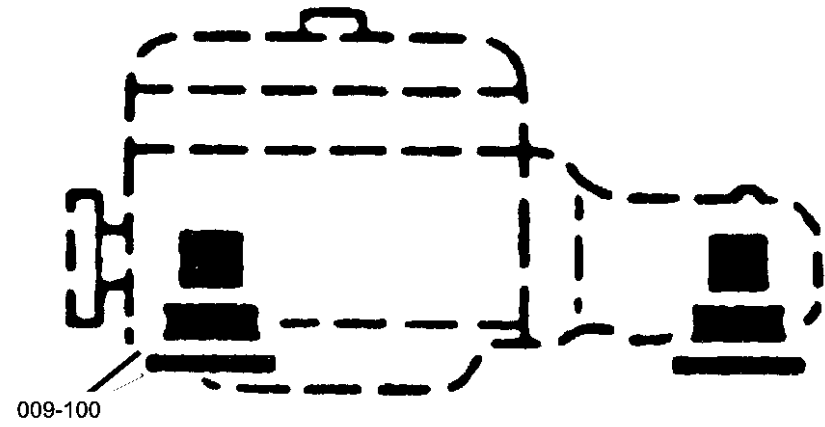
### Group - 9 Engine Mounting

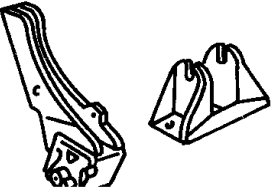
Illustration Title

Group-Fig. No.

#### Engine Mounting

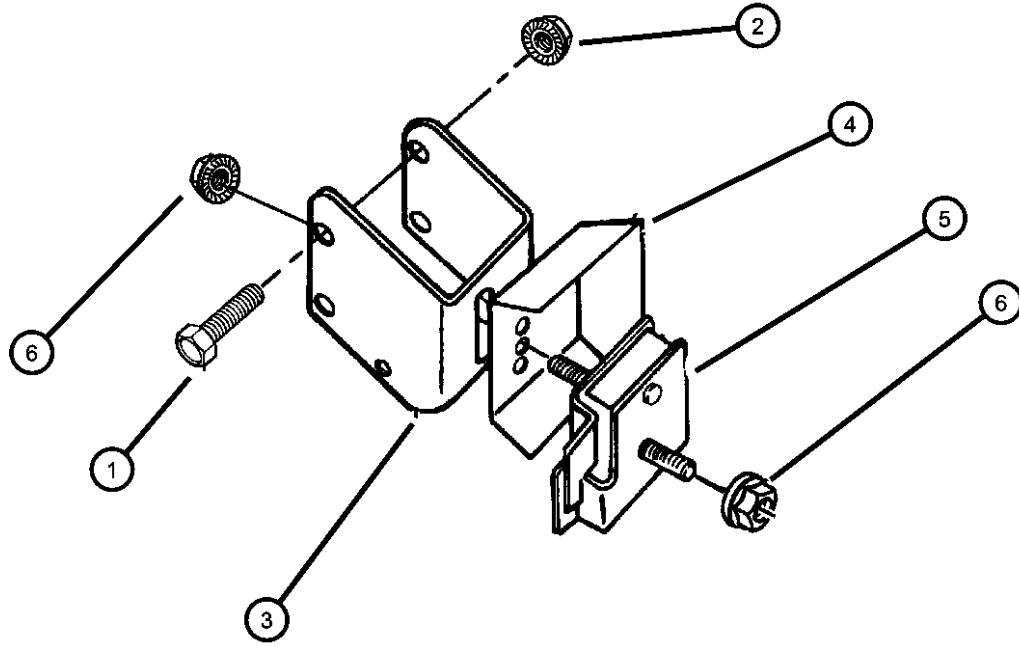
|  |              |
|--|--------------|
| Engine Mounting, Front 8.0L Engine ..... | Fig. 9 - 110 |
| Engine Mounting, Rear 8.0L Engine .....  | Fig. 9 - 120 |



|  |  |  |  |
|--|--|--|--|
| <p><b>009-100</b><br/>Engine Mounting</p>  |  |  |  |
|--|--|--|--|

**Engine Mounting, Front 8.0L Engine  
Figure 9-110**

| ITEM | PART NUMBER | QTY | LINE | SERIES | BODY | ENGINE | TRANS | TRIM | DESCRIPTION                                   |
|------|-------------|-----|------|--------|------|--------|-------|------|---|
| 1    | 06034523    | 4   |      |        |      | EWB    |       |      | BOLT, Alternator, w/Washer, (.375-16x4.00)    |
| 2    | 00152344    | 4   |      |        |      | EWB    |       |      | NUT, .375-16                                  |
| 3    | 04796376    | 2   |      |        |      | EWB    |       |      | BRACKET PACKAGE, Engine Mount                 |
| 4    | 04643546    | 2   |      |        |      | EWB    |       |      | SHIELD, Heat, Engine Mount                    |
| 5    |             |     |      |        |      |        |       |      | INSULATOR, Engine Mount                       |
|      | 04642617    | 1   |      |        |      | EWB    |       |      | Left  |
|      | 04643530    | 1   |      |        |      | EWB    |       |      | Right   |
| 6    | 06025022    | 2   |      |        |      |        |       |      | NUT AND WASHER, Hex Nut-Coned Washer, .500-13 |



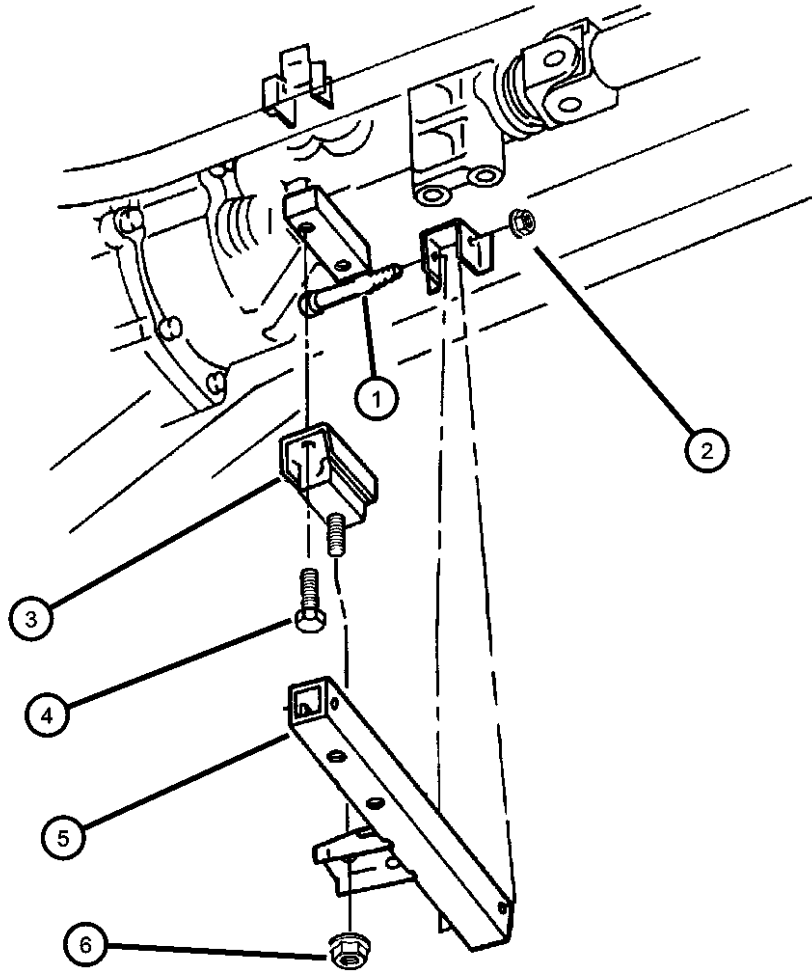
**VIPER GTS COUPE,VIPER RT/10 ROADSTER (SR)**

| SERIES         | LINE      | BODY                  | ENGINE                    | TRANSMISSION                      |
|----------------|-----------|-----------------------|---------------------------|-----------------------------------|
| S = RT/10      | D = DODGE | 27 = 2-DR CONVERTIBLE | EWB = 8.0L V10 SFI Engine | DEC = 6-Speed Manual Transmission |
| S = GTS Coupe  |           | 29 = SPECIALTY COUPE  |                           | DBB = All Manual Transmissions    |
| X = GTS/Lemans |           |                       |                           |                                   |

AR = use ase required - = Non illustrated part

**Engine Mounting, Rear 8.0L Engine  
Figure 9-120**

| ITEM | PART NUMBER | QTY | LINE | SERIES | BODY | ENGINE | TRANS | TRIM | DESCRIPTION  |
|------|-------------|-----|------|--------|------|--------|-------|------|--|
| 1    | 06101707    | 2   |      |        |      |        |       |      | BOLT, M10x1.50x75, Trans. Crossmember to Frame,                                  |
| 2    | 06502696    | 2   |      |        |      |        |       |      | NUT, Hex Flange Lock, M14x1.50, Trans. Crossmember to Frame, MOUNT, Transmission |
| 3    | 04643318    | 1   |      |        |      |        |       |      | SCREW AND WASHER, Hex Head, M10x1.5x45   |
| 4    | 06501596    | 2   |      |        |      |        |       |      | CROSSMEMBER, Transmission  |
| 5    | 04763813    | 1   |      |        |      |        |       |      | NUT, Hex Flange Lock, M14x1.50, Mount to Trans. Crossmember,                     |
| 6    | 06502696    | 1   |      |        |      |        |       |      |  |



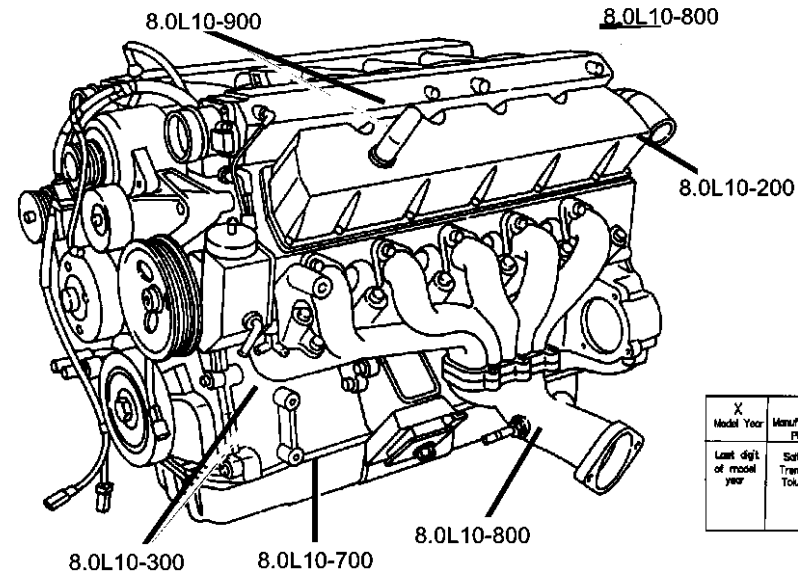
**VIPER GTS COUPE,VIPER RT/10 ROADSTER (SR)**

| SERIES         | LINE      | BODY                  | ENGINE                    | TRANSMISSION                      |
|----------------|-----------|-----------------------|---------------------------|-----------------------------------|
| S = RT/10      | D = DODGE | 27 = 2-DR CONVERTIBLE | EWB = 8.0L V10 SFI Engine | DEC = 6-Speed Manual Transmission |
| S = GTS Coupe  |           | 29 = SPECIALTY COUPE  |                           | DBB = All Manual Transmissions    |
| X = GTS/Lemans |           |                       |                           |                                   |

AR = use ase required - = Non illustrated part

# Group - 8.0L

## Engine 8.0L Ten Cylinder



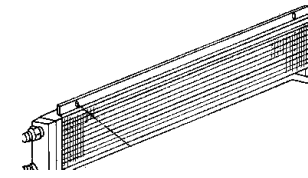
| X<br>Model Year          | X<br>Manufacturing Plant         | XXXXX<br>Component Code/Usage                            | XXXX<br>Month/Day | XXXXXXXXX<br>Serial Code |
|--------------------------|----------------------------------|--|-------------------|--------------------------|
| Last digit of model year | Satiko S<br>Tranton T<br>Tokuo K | Engine<br>3.3L - 3.8L<br>Usage<br>Pass Car PC<br>Truck T |                   | Last 8 Digits of VIN     |

8.0L10-100

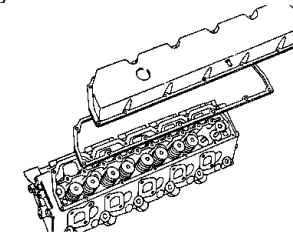
### 8.0L-100 Engine Identification

| X<br>Model Year          | X<br>Manufacturing Plant         | XXXXX<br>Component Code/Usage                            | XXXX<br>Month/Day | XXXXXXXXX<br>Serial Code |
|--------------------------|----------------------------------|--|-------------------|--------------------------|
| Last digit of model year | Satiko S<br>Tranton T<br>Tokuo K | Engine<br>3.3L - 3.8L<br>Usage<br>Pass Car PC<br>Truck T |                   | Last 8 Digits of VIN     |

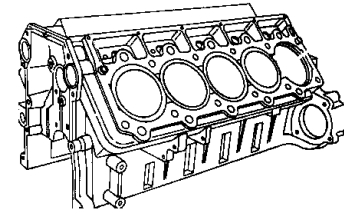
### 8.0L-1100 Oil Cooler



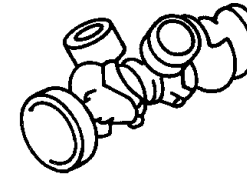
### 8.0L-200 Cylinder Head



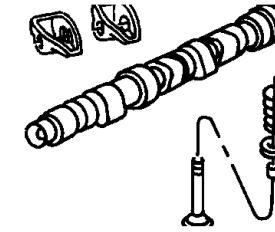
### 8.0L-300 Cylinder Block



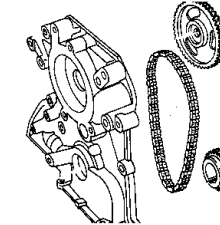
### 8.0L-400 Crankshaft, Piston and Torque Converter



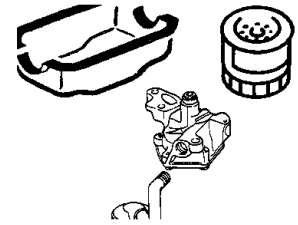
### 8.0L-500 Camshafts & Valves



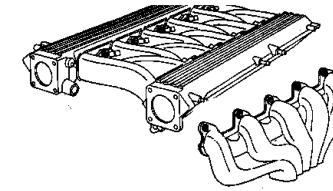
### 8.0L-600 Timing Belt and Cover



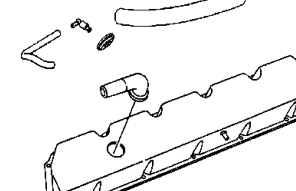
### 8.0L-700 Engine Oiling



### 8.0L-800 Manifolds



### 8.0L-900 Crankcase Ventilation



---

## Group - 8.0L Engine 8.0L Ten Cylinder

| Illustration Title                             | Group-Fig. No.   |
|--|------------------|
| <b>Engine Identification</b>                   |                  |
| I.D. Location 8.0L Engine.....                 | Fig. 8.0L - 110  |
| <b>Cylinder Head</b>                           |                  |
| Cylinder Head 8.0L Engine.....                 | Fig. 8.0L - 210  |
| <b>Cylinder Block</b>                          |                  |
| Cylinder Block 8.0L Engine.....                | Fig. 8.0L - 310  |
| <b>Crankshaft, Piston and Torque Converter</b> |                  |
| Crankshaft and Pistons 8.0L Engine.....        | Fig. 8.0L - 410  |
| <b>Camshafts &amp; Valves</b>                  |                  |
| Camshafts and Valves 8.0L Engine.....          | Fig. 8.0L - 510  |
| <b>Timing Belt and Cover</b>                   |                  |
| Timing Belt and Cover 8.0L Engine.....         | Fig. 8.0L - 610  |
| <b>Engine Oiling</b>                           |                  |
| Engine Oiling 8.0L Engine.....                 | Fig. 8.0L - 710  |
| <b>Manifolds</b>                               |                  |
| Manifolds, Intake and Exhaust 8.0L Engine..... | Fig. 8.0L - 810  |
| <b>Crankcase Ventilation</b>                   |                  |
| Crankcase Ventilation 8.0L Engine.....         | Fig. 8.0L - 910  |
| <b>Oil Cooler</b>                              |                  |
| Oil Cooler 8.0L Engine.....                    | Fig. 8.0L - 1110 |

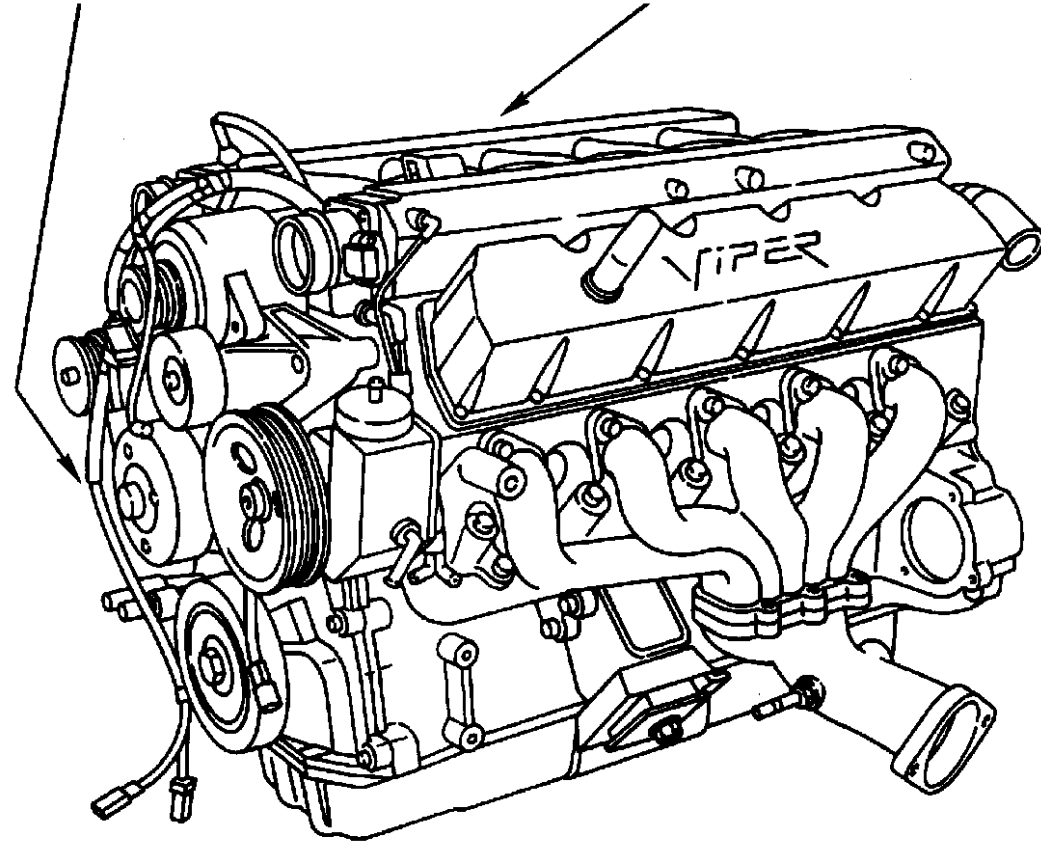
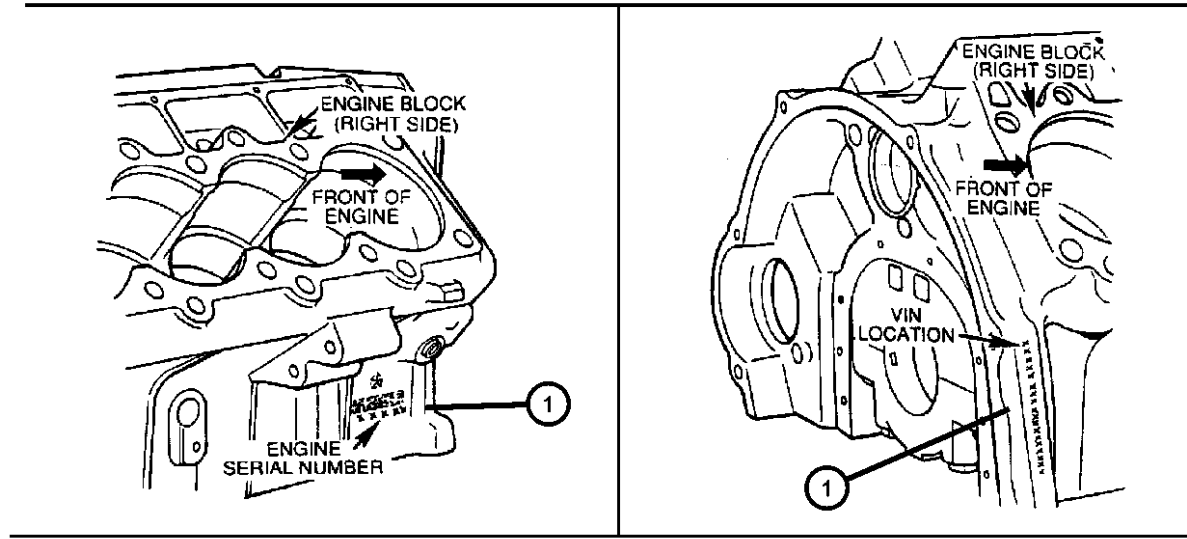
I.D. Location 8.0L Engine  
Figure 8.0L-110

| ITEM | PART NUMBER | QTY | LINE | SERIES | BODY | ENGINE | TRANS | TRIM | DESCRIPTION |
|------|-------------|-----|------|--------|------|--------|-------|------|-------------|
|------|-------------|-----|------|--------|------|--------|-------|------|-------------|

VIN Number located on right rear side of cylinder block in front of clutch housing. SERIAL Number located on right lower front of cylinder block above

1 06502696 1

LABEL, Equipment Identification,  
(NOT SERVICED)



VIPER GTS COUPE,VIPER RT/10 ROADSTER (SR)

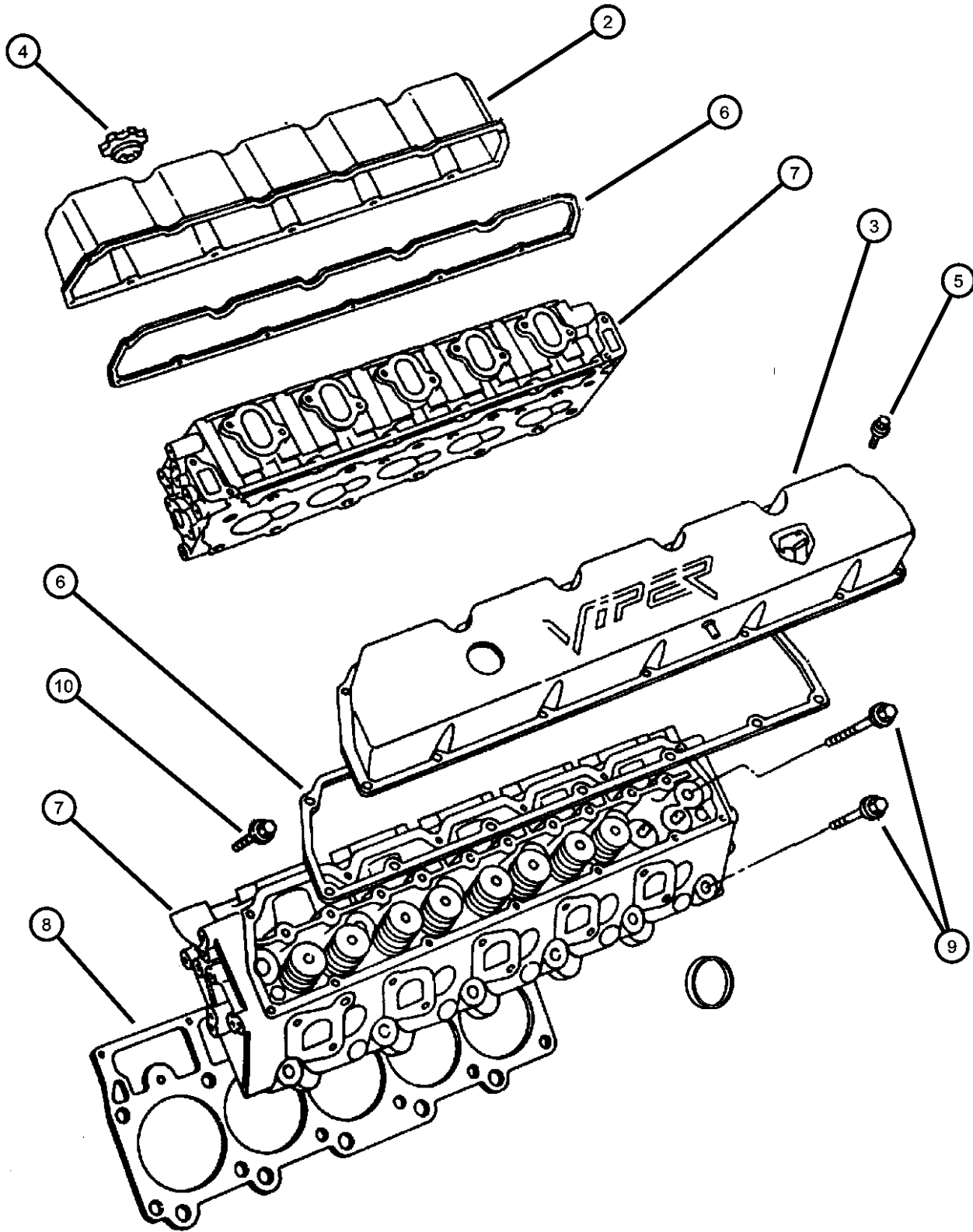
| SERIES         | LINE      | BODY                  | ENGINE                    | TRANSMISSION                      |
|----------------|-----------|-----------------------|---------------------------|-----------------------------------|
| S = RT/10      | D = DODGE | 27 = 2-DR CONVERTIBLE | EWB = 8.0L V10 SFI Engine | DEC = 6-Speed Manual Transmission |
| S = GTS Coupe  |           | 29 = SPECIALTY COUPE  |                           | DBB = All Manual Transmissions    |
| X = GTS/Lemans |           |                       |                           |                                   |

AR = use ase required - = Non illustrated part

1997 SR



**Cylinder Head 8.0L Engine  
Figure 8.0L-210**



| ITEM | PART NUMBER | QTY | LINE | SERIES | BODY | ENGINE | TRANS | TRIM | DESCRIPTION |
|------|-------------|-----|------|--------|------|--------|-------|------|-------------|
|------|-------------|-----|------|--------|------|--------|-------|------|-------------|

NOTE: Sales Code  
[EWB] = 8.0L V10 SFI Engine

|    |            |    |  |  |  |     |  |  |   |
|----|------------|----|--|--|--|-----|--|--|---|
| -1 | 04882950   | 1  |  |  |  | EWB |  |  | GASKET PACKAGE, Engine Upper              |
| 2  | 04763754   | 1  |  |  |  | EWB |  |  | COVER, Cylinder Head                      |
| 3  | 04763755   | 1  |  |  |  | EWB |  |  | COVER, Cylinder Head                      |
| 4  | 05245081AB | 1  |  |  |  | EWB |  |  | CAP, Oil Filler, Mobil 1 Graphics on cap. |
| 5  | 06035666   | 26 |  |  |  | EWB |  |  | SCREW, Hex Flange Head, .25-20x1.00       |
| 6  | 05245095   | 2  |  |  |  | EWB |  |  | GASKET, Valve Cover                       |
| 7  | 04763724   | 2  |  |  |  | EWB |  |  | HEAD, Cylinder                            |
| 8  | 05013101AA | AR |  |  |  | EWB |  |  | GASKET, Cylinder Head                     |
| 9  | 06035471   | 24 |  |  |  | EWB |  |  | BOLT, Cylinder Head                       |
| 10 | 06035666   | 12 |  |  |  | EWB |  |  | SCREW, Hex Flange Head, .25-20x1.00       |

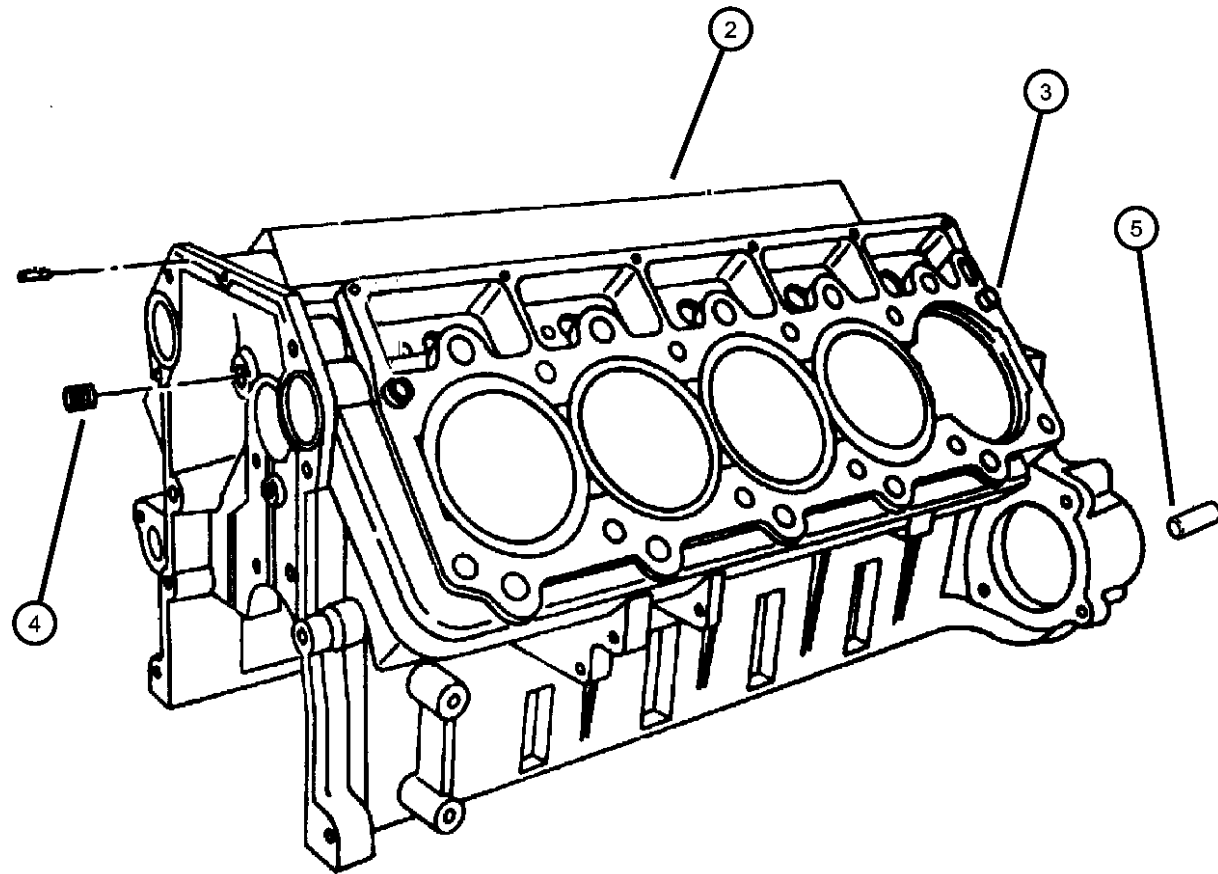
**VIPER GTS COUPE,VIPER RT/10 ROADSTER (SR)**

| SERIES         | LINE      | BODY                  | ENGINE                    | TRANSMISSION                      |
|----------------|-----------|-----------------------|---------------------------|-----------------------------------|
| S = RT/10      | D = DODGE | 27 = 2-DR CONVERTIBLE | EWB = 8.0L V10 SFI Engine | DEC = 6-Speed Manual Transmission |
| S = GTS Coupe  |           | 29 = SPECIALTY COUPE  |                           | DBB = All Manual Transmissions    |
| X = GTS/Lemans |           |                       |                           |                                   |

AR = use ase required - = Non illustrated part

**Cylinder Block 8.0L Engine  
Figure 8.0L-310**

| ITEM | PART NUMBER | QTY | LINE | SERIES | BODY | ENGINE | TRANS | TRIM | DESCRIPTION                              |
|------|-------------|-----|------|--------|------|--------|-------|------|--|
| -1   | 04882951    | 1   |      |        |      | EWB    |       |      | GASKET PACKAGE, Engine Lower             |
| 2    | 04763703    | 1   |      |        |      | EWB    |       |      | BLOCK, Short                             |
|      | 05127394AA  |     |      |        |      |        |       |      | Mopar 0W-40 Mobil 1 Engine Oil           |
|      | R1080466AA  |     |      |        |      |        |       |      | Mopar Reman 8.0L Long Block (EWB) - 1996 |
| 3    | J4005149    | 4   |      |        |      | EWB    |       |      | DOWEL, Oil Pump                          |
| 4    | 06034166    | 10  |      |        |      | EWB    |       |      | PLUG, Cylinder Block Oil Hole            |
| 5    | 04429678    | 2   |      |        |      | EWB    |       |      | PIN, Dowel                               |



**VIPER GTS COUPE,VIPER RT/10 ROADSTER (SR)**

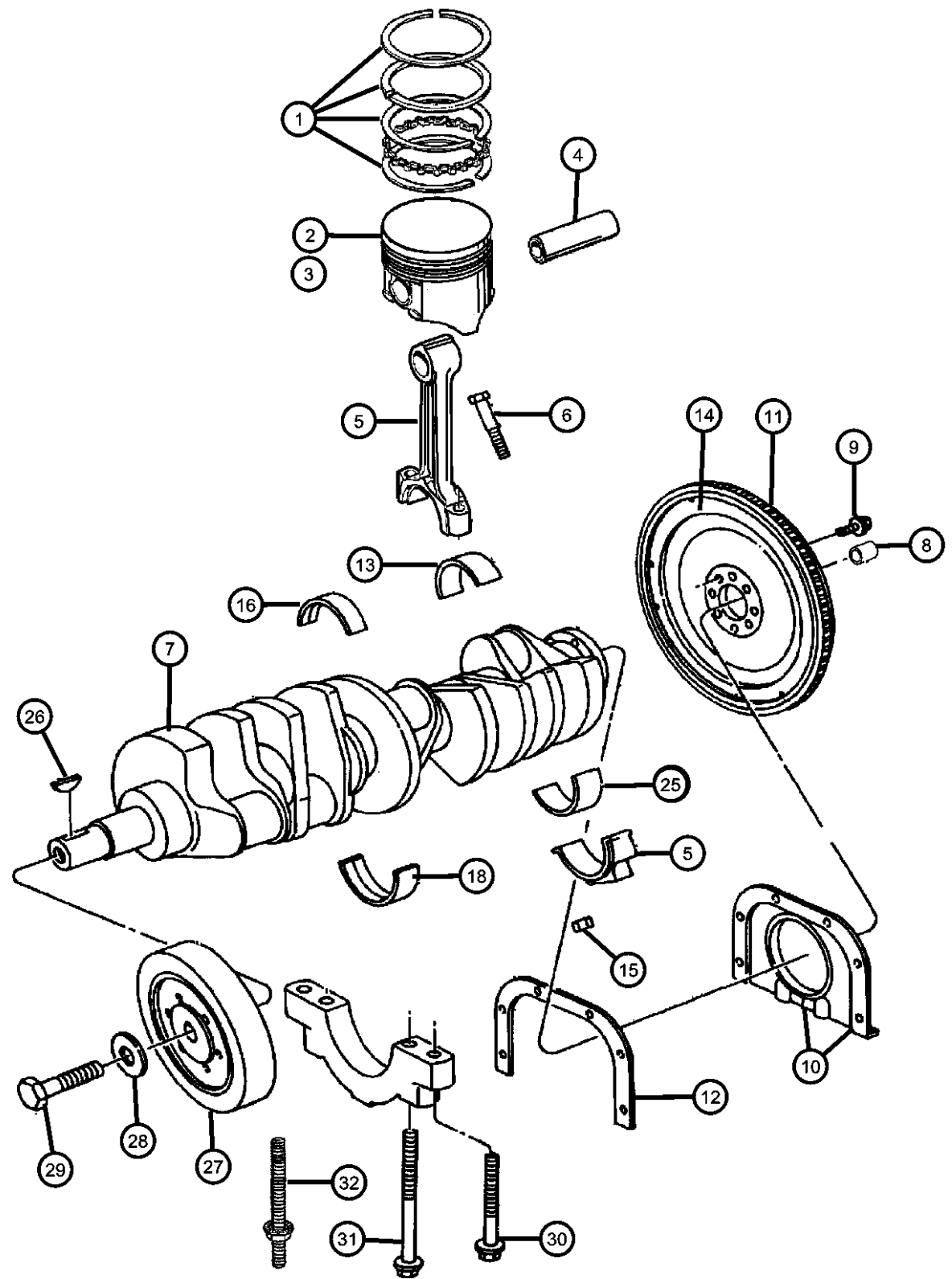
| SERIES         | LINE      | BODY                  | ENGINE                    | TRANSMISSION                      |
|----------------|-----------|-----------------------|---------------------------|-----------------------------------|
| S = RT/10      | D = DODGE | 27 = 2-DR CONVERTIBLE | EWB = 8.0L V10 SFI Engine | DEC = 6-Speed Manual Transmission |
| S = GTS Coupe  |           | 29 = SPECIALTY COUPE  |                           | DBB = All Manual Transmissions    |
| X = GTS/Lemans |           |                       |                           |                                   |

AR = use ase required - = Non illustrated part

Crankshaft and Pistons 8.0L Engine

Figure 8.0L-410

| ITEM | PART NUMBER | QTY | LINE | SERIES | BODY | ENGINE | TRANS | TRIM | DESCRIPTION  |
|------|-------------|-----|------|--------|------|--------|-------|------|--|
| 1    | 04882965    | 1   |      |        |      | EWB    |       |      | PISTON RING SET, COMPLETE ENGINE, STD.                               |
| 2    | 05245142AB  | AR  |      |        |      | EWB    |       |      | PISTON, ENGINE, [+0.10 Oversize], Standard PISTON                    |
| 3    | 04883705AA  | AR  |      |        |      | EWB    |       |      | [+0.10 Oversize]   |
|      | 04883706AA  | AR  |      |        |      | EWB    |       |      | [+0.020 Oversize]  |
| 4    | 53005779    | 1   |      |        |      | EWB    |       |      | PIN, Piston  |
| 5    | 05245366    | 10  |      |        |      | EWB    |       |      | ROD, Connecting  |
| 6    | 06033441    | 10  |      |        |      | EWB    |       |      | BOLT, Connecting Rod   |
| 7    | 04848733    | 1   |      |        |      | EWB    |       |      | CRANKSHAFT   |
| 8    | 53009181    | 1   |      |        |      | EWB    |       |      | BEARING, Pilot   |
| 9    | 06035811    | 8   |      |        |      | EWB    |       |      | BOLT, Hex Head, .437-20x1.50   |
| 10   | 04763726    | 1   |      |        |      | EWB    |       |      | RETAINER, Crankshaft Rear Oil Seal                                   |
| 11   | 04428037    | 1   |      |        |      | EWB    |       |      | GEAR, Ring   |
| 12   | 05245072    | 1   |      |        |      | EWB    |       |      | GASKET, Rear Oil Seal Retainer                                       |
| 13   | 02421305    | 20  |      |        |      | EWB    |       |      | BEARING, Connecting Rod, STD.  |
| 14   | 04643416    | 1   |      |        |      | EWB    |       |      | FLYWHEEL   |
| 15   | 06032296    | 10  |      |        |      | EWB    |       |      | NUT, Hex, .375-24  |
| 16   | 04723536    | AR  |      |        |      | EWB    |       |      | BEARING PACKAGE, Crankshaft, Standard Main #1-2-4-5-6- Magenta       |
|      | 04723538    | AR  |      |        |      | EWB    |       |      | Main #1-2-4-5-6- White - Clear                                       |
|      | 04723541    | AR  |      |        |      | EWB    |       |      | Main #1-2-4-5-6- Orange  |
|      | 04740292    | AR  |      |        |      | EWB    |       |      | Main #1-2-4-5-6- Black   |
|      | 04883374AA  | AR  |      |        |      | EWB    |       |      | Main #1-2-4-5-6- Yellow  |
| 17   | 04883685AA  | AR  |      |        |      | EWB    |       |      | BEARING PACKAGE, Crankshaft, Thrust Standard, +.030 Outside Diameter |
|      | 04883686AA  | AR  |      |        |      | EWB    |       |      | [.001 Undersized, +.030 Outside Diameter]                            |
|      | 04883687AA  | AR  |      |        |      | EWB    |       |      | [.002 Undersized, +.030 Outside Diameter]                            |
|      | 04883688AA  | AR  |      |        |      | EWB    |       |      | [.020 Undersized, +.030 Outside Diameter]                            |
|      | 04883690AA  | AR  |      |        |      | EWB    |       |      | [.010 Undersized, Standard, Outside Diameter]                        |
| 18   | 04723537    | AR  |      |        |      | EWB    |       |      | BEARING PACKAGE, Crankshaft Thrust, Standard Size Magenta            |

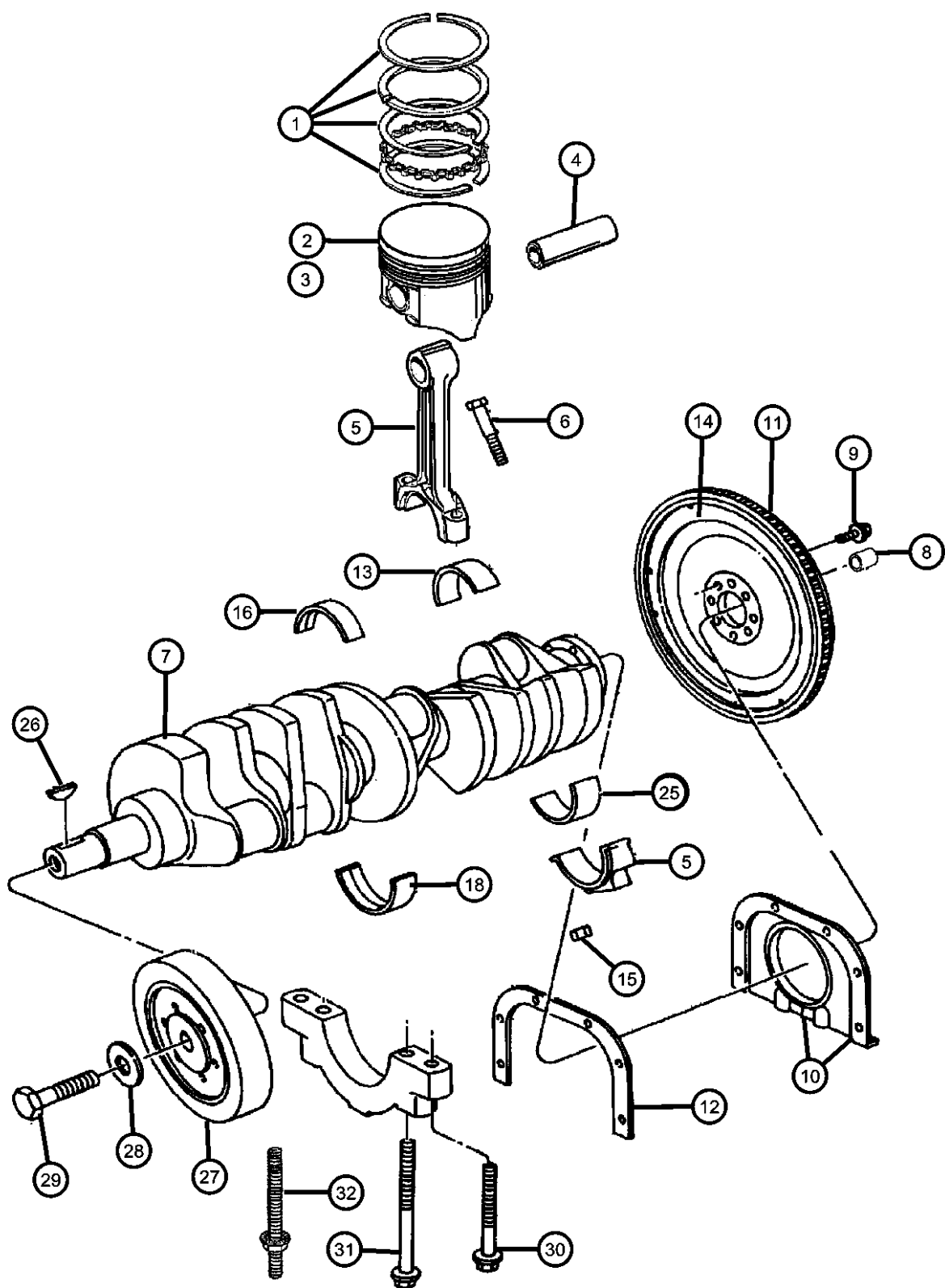


VIPER GTS COUPE, VIPER RT/10 ROADSTER (SR)

|                |           |                       |                           |                                   |
|----------------|-----------|-----------------------|---------------------------|-----------------------------------|
| SERIES         | LINE      | BODY                  | ENGINE                    | TRANSMISSION                      |
| S = RT/10      | D = DODGE | 27 = 2-DR CONVERTIBLE | EWB = 8.0L V10 SFI Engine | DEC = 6-Speed Manual Transmission |
| S = GTS Coupe  |           | 29 = SPECIALTY COUPE  |                           | DBB = All Manual Transmissions    |
| X = GTS/Lemans |           |                       |                           |                                   |

AR = use ase required - = Non illustrated part

**Crankshaft and Pistons 8.0L Engine  
Figure 8.0L-410**



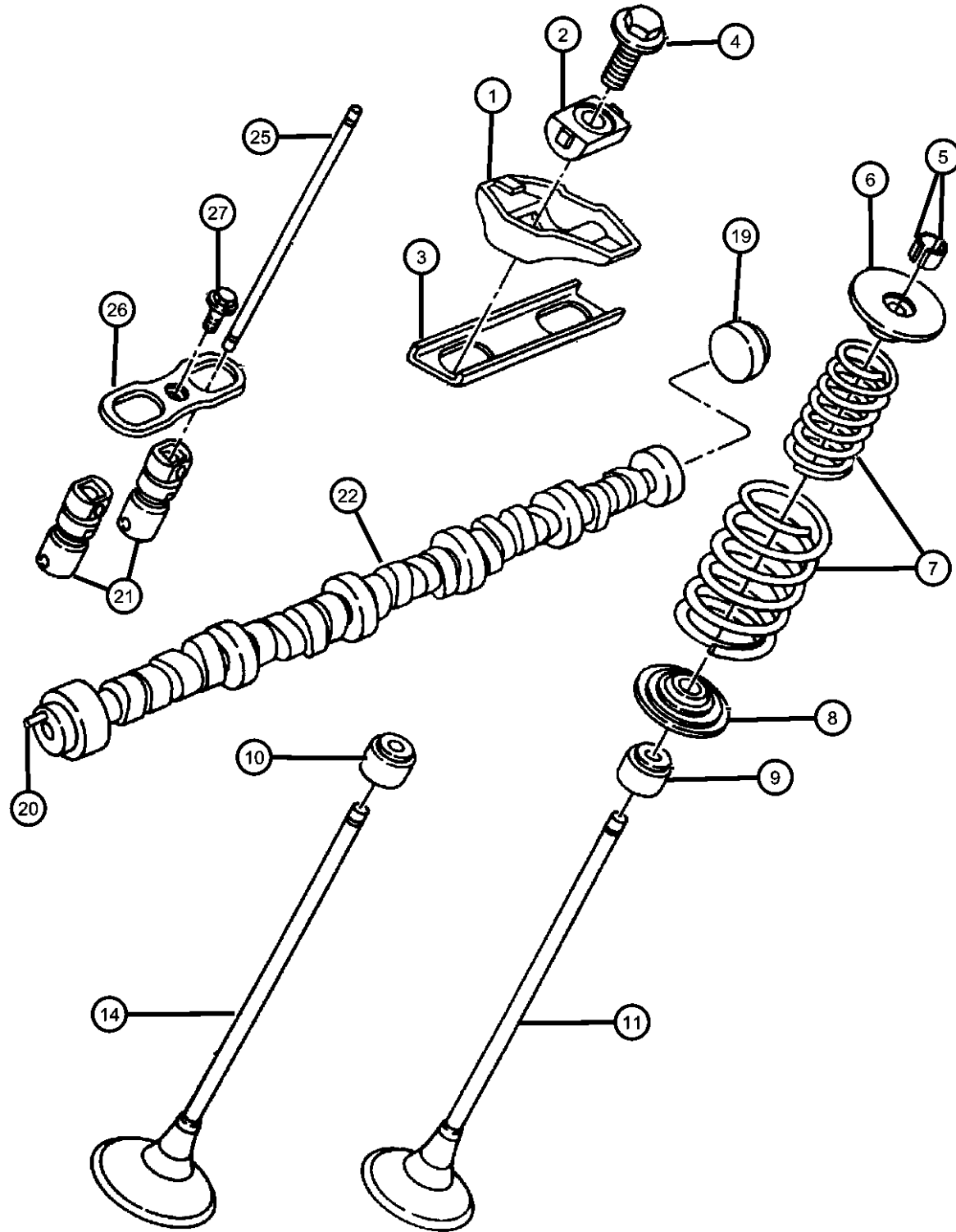
| ITEM | PART NUMBER | QTY | LINE | SERIES | BODY | ENGINE | TRANS | TRIM | DESCRIPTION  |
|------|-------------|-----|------|--------|------|--------|-------|------|--|
|      | 04723540    | 1   |      |        |      | EWB    |       |      | White-Clear  |
|      | 04723542    | AR  |      |        |      | EWB    |       |      | Orange   |
|      | 04740293    | AR  |      |        |      | EWB    |       |      | Black  |
|      | 04883375AA  | AR  |      |        |      | EWB    |       |      | Yellow   |
| 19   |             |     |      |        |      |        |       |      | BEARING PACKAGE, Crankshaft                        |
|      | 04883681AA  | AR  |      |        |      | EWB    |       |      | Standard, Main, +.030 Outside Diameter             |
|      | 04883682AA  | 1   |      |        |      | EWB    |       |      | [.001 Undersized, Main,+.030 Outside Diameter]     |
|      | 04883683AA  | AR  |      |        |      | EWB    |       |      | [.002 Undersized, Main,+.030 Outside Diameter]     |
|      | 04883684AA  | AR  |      |        |      | EWB    |       |      | [.010 Undersized, Main,+.030 Outside Diameter]     |
|      | 04883689AA  | AR  |      |        |      | EWB    |       |      | [.010 Undersized, Main, Standard,Outside Diameter] |
| 20   | 05096020AA  | AR  |      |        |      | EWB    |       |      | BEARING PACKAGE, Crankshaft, .009" U/S             |
| 21   | 05096021AA  | AR  |      |        |      | EWB    |       |      | BEARING PACKAGE, Crankshaft thrust, .009" U/S      |
| 22   | 05096022AA  | AR  |      |        |      | EWB    |       |      | BEARING PACKAGE, Crankshaft, .010" U/S             |
| 23   | 05096023AA  | AR  |      |        |      | EWB    |       |      | BEARING PACKAGE, Crankshaft thrust, .010" U/S      |
| 24   | 05096024AA  | AR  |      |        |      | EWB    |       |      | BEARING PACKAGE, Crankshaft, .011" U/S             |
| 25   | 05096025AA  | AR  |      |        |      | EWB    |       |      | BEARING PACKAGE, Crankshaft thrust, .011" U/S      |
| 26   | 06034749    | 1   |      |        |      | EWB    |       |      | KEY, Crankshaft Sprocket                           |
| 27   | 05245110    | 1   |      |        |      | EWB    |       |      | DAMPER, Crankshaft                                 |
| 28   | 06034504    | 1   |      |        |      | EWB    |       |      | WASHER, Flat, .78x1.94                             |
| 29   | 06034505    | 1   |      |        |      | EWB    |       |      | SCREW, Hex Head, .75-16x2.25                       |
| 30   | 06035470    | 12  |      |        |      | EWB    |       |      | BOLT, Bearing Cap                                  |
| 31   | 06035665    | 4   |      |        |      | EWB    |       |      | BOLT, Bearing Cap                                  |
| 32   | 06035469    | 8   |      |        |      | EWB    |       |      | STUD, .562-12x5.670                                |

**VIPER GTS COUPE,VIPER RT/10 ROADSTER (SR)**

|                |           |                       |                           |                                   |
|----------------|-----------|-----------------------|---------------------------|-----------------------------------|
| SERIES         | LINE      | BODY                  | ENGINE                    | TRANSMISSION                      |
| S = RT/10      | D = DODGE | 27 = 2-DR CONVERTIBLE | EWB = 8.0L V10 SFI Engine | DEC = 6-Speed Manual Transmission |
| S = GTS Coupe  |           | 29 = SPECIALTY COUPE  |                           | DBB = All Manual Transmissions    |
| X = GTS/Lemans |           |                       |                           |                                   |

AR = use ase required - = Non illustrated part

**Camshafts and Valves 8.0L Engine  
Figure 8.0L-510**



| ITEM | PART NUMBER | QTY | LINE | SERIES | BODY | ENGINE | TRANS | TRIM | DESCRIPTION                                |
|------|-------------|-----|------|--------|------|--------|-------|------|--|
| 1    | 05245335    | 20  |      |        |      | EWB    |       |      | ROCKER ARM, Valve                          |
| 2    | 05245336    | 20  |      |        |      | EWB    |       |      | PIVOT, Rocker Arm                          |
| 3    | 04848550    | 10  |      |        |      | EWB    |       |      | RETAINER, Rocker Arm Pedestal              |
| 4    | 06034499    | 20  |      |        |      | EWB    |       |      | BOLT, Hex Flange Head, .375-16x1.50        |
| 5    | 33003521    | 20  |      |        |      | EWB    |       |      | LOCK, Valve Spring Retainer                |
| 6    | 05245374    | 20  |      |        |      | EWB    |       |      | RETAINER, Valve Spring                     |
| 7    | 04761616    | 20  |      |        |      | EWB    |       |      | SPRING PACKAGE, Valve                      |
| 8    | 05245162    | 20  |      |        |      | EWB    |       |      | SEAT, Valve Spring                         |
| 9    | 53009886    | 10  |      |        |      | EWB    |       |      | SEAL, Valve Guide, Intake                  |
| 10   | 53009887    | 10  |      |        |      | EWB    |       |      | SEAL, Valve Guide, Exhaust                 |
| 11   | 04763747    | 10  |      |        |      | EWB    |       |      | VALVE, Intake, Standard                    |
| -12  | 04883699AA  | AR  |      |        |      | EWB    |       |      | VALVE, Intake, .003" O/S, Orange           |
| -13  | 04883700AA  | AR  |      |        |      | EWB    |       |      | VALVE, Intake, .015" O/S, Orange           |
| 14   | 04763748    | 10  |      |        |      | EWB    |       |      | VALVE, Exhaust, Standard                   |
| -15  | 04883702AA  | AR  |      |        |      | EWB    |       |      | VALVE, Exhaust, .005" O/S, Orange          |
| -16  | 04883703AA  | AR  |      |        |      | EWB    |       |      | VALVE, Exhaust, .015" O/S, Orange          |
| -17  | 04883704AA  | AR  |      |        |      | EWB    |       |      | VALVE, Exhaust, .030" O/S, Orange          |
| -18  | 05096010AA  | AR  |      |        |      | EWB    |       |      | INSERT, Valve Guide                        |
| 19   | 05245071    | 1   |      |        |      | EWB    |       |      | PLUG, Camshaft                             |
| 20   | 00141195    | 1   |      |        |      | EWB    |       |      | DOWEL, .25x.62                             |
| 21   | 04713439    | 20  |      |        |      | EWB    |       |      | TAPPET PACKAGE, Valve                      |
| 22   | 04763708    | 1   |      |        |      | EWB    |       |      | CAMSHAFT, Engine                           |
| -23  | 04883695AA  | 1   |      |        |      | EWB    |       |      | CAMSHAFT, Engine, .002" O/S Journal, Brown |
| -24  |             |     |      |        |      |        |       |      | CAMSHAFT, Engine                           |
|      | 04883696AA  | 1   |      |        |      | EWB    |       |      | [+.003 Oversized Journal - Blue]           |
|      | 04883697AA  | 1   |      |        |      | EWB    |       |      | [+.030 Oversized Journal - White]          |
| 25   | 04848548    | 20  |      |        |      | EWB    |       |      | PUSH ROD, Valve                            |
| 26   | 05245169    | 10  |      |        |      | EWB    |       |      | YOKE, Tappet Aligning                      |
| 27   | 05245170    | 10  |      |        |      | EWB    |       |      | BOLT, .25-20x.88                           |

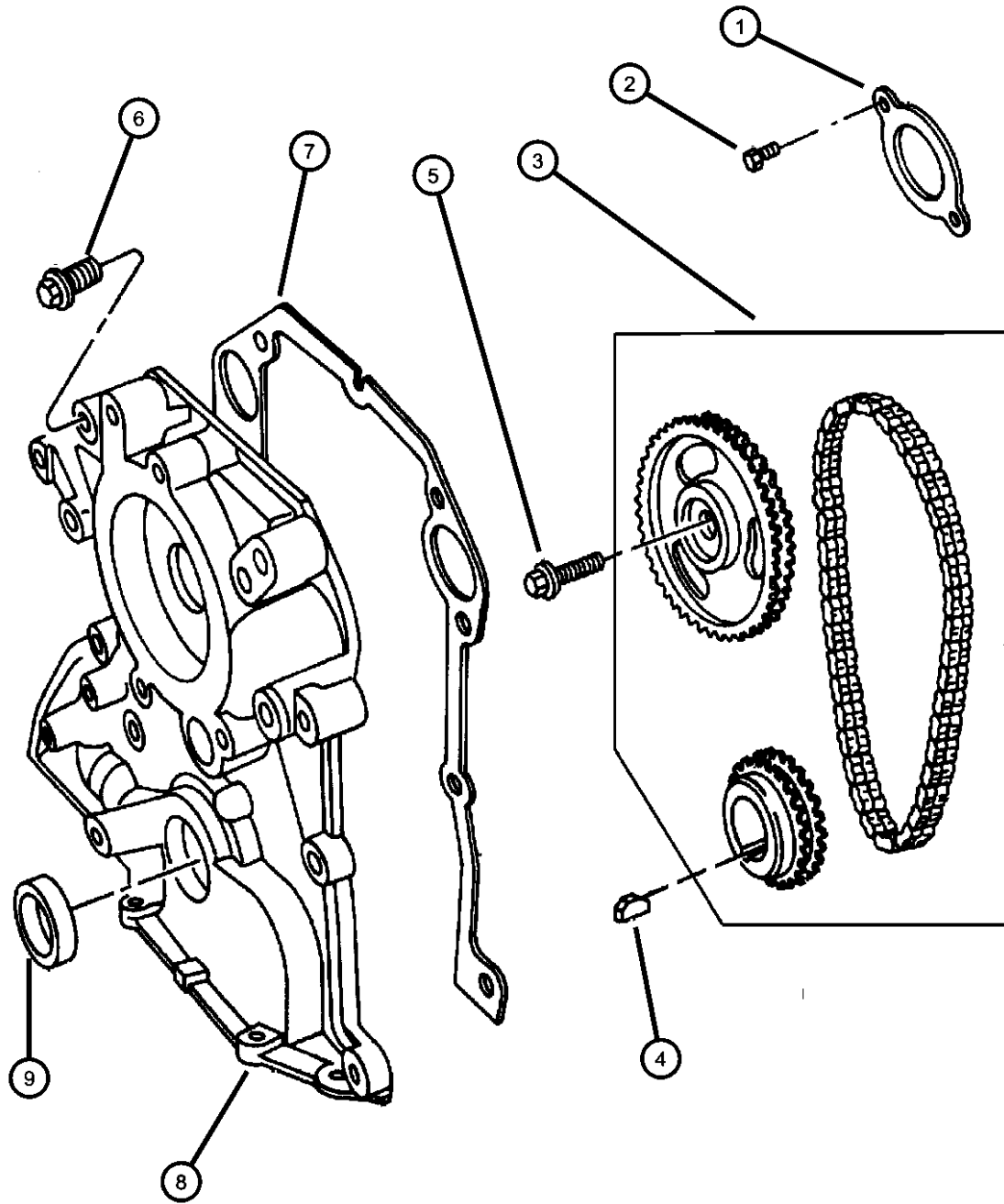
**VIPER GTS COUPE,VIPER RT/10 ROADSTER (SR)**

|                |           |                       |                           |                                   |
|----------------|-----------|-----------------------|---------------------------|-----------------------------------|
| SERIES         | LINE      | BODY                  | ENGINE                    | TRANSMISSION                      |
| S = RT/10      | D = DODGE | 27 = 2-DR CONVERTIBLE | EWB = 8.0L V10 SFI Engine | DEC = 6-Speed Manual Transmission |
| S = GTS Coupe  |           | 29 = SPECIALTY COUPE  |                           | DBB = All Manual Transmissions    |
| X = GTS/Lemans |           |                       |                           |                                   |

AR = use ase required - = Non illustrated part

**Timing Belt and Cover 8.0L Engine  
Figure 8.0L-610**

| ITEM | PART NUMBER | QTY | LINE | SERIES | BODY | ENGINE | TRANS | TRIM | DESCRIPTION                          |
|------|-------------|-----|------|--------|------|--------|-------|------|--------------------------------------|
| 1    | 05245359    | 1   |      |        |      | EWB    |       |      | PLATE, Camshaft Thrust               |
| 2    | 00220800    | 2   |      |        |      | EWB    |       |      | SCREW, Hex Head, .312-18x.75         |
| 3    | 04863827    | 1   |      |        |      | EWB    |       |      | CHAIN PACKAGE, Timing                |
| 4    | 06034749    | 1   |      |        |      | EWB    |       |      | KEY, Crankshaft Sprocket             |
| 5    | 06024035    | 1   |      |        |      | EWB    |       |      | BOLT, Hex Head, .375-14x1.75         |
| 6    | 06035558    | 9   |      |        |      | EWB    |       |      | SCREW, Hex Flange Head, .375-16x1.50 |
| 7    | 04763745    | 1   |      |        |      | EWB    |       |      | GASKET, Chain Case Cover             |
| 8    | 04763731    | 1   |      |        |      | EWB    |       |      | COVER, Timing Case                   |
| 9    | 05245135    | 1   |      |        |      | EWB    |       |      | SEAL, Crankshaft Oil, Front          |

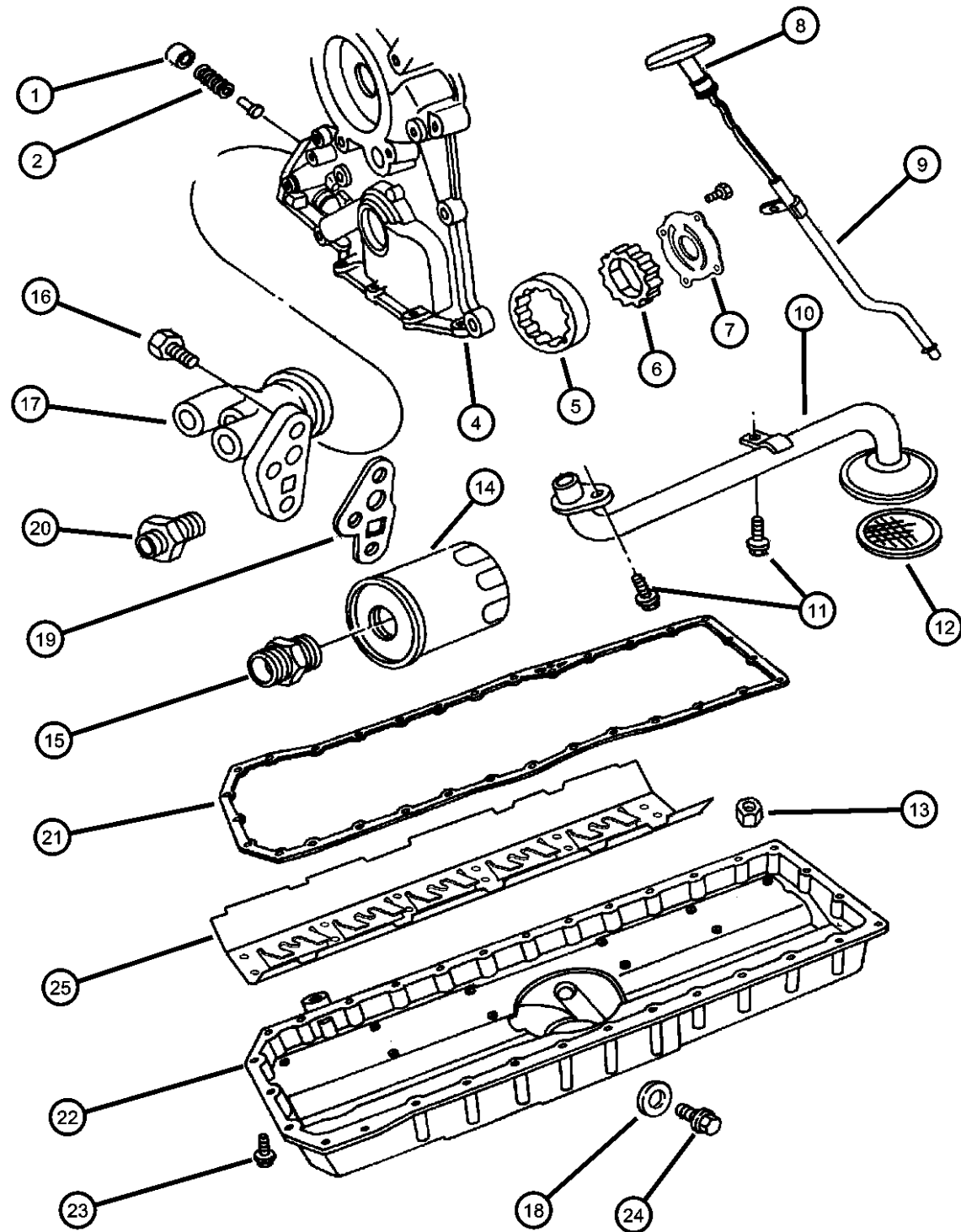


**VIPER GTS COUPE,VIPER RT/10 ROADSTER (SR)**

| SERIES         | LINE      | BODY                  | ENGINE                    | TRANSMISSION                      |
|----------------|-----------|-----------------------|---------------------------|-----------------------------------|
| S = RT/10      | D = DODGE | 27 = 2-DR CONVERTIBLE | EWB = 8.0L V10 SFI Engine | DEC = 6-Speed Manual Transmission |
| S = GTS Coupe  |           | 29 = SPECIALTY COUPE  |                           | DBB = All Manual Transmissions    |
| X = GTS/Lemans |           |                       |                           |                                   |

AR = use ase required - = Non illustrated part

**Engine Oiling 8.0L Engine  
Figure 8.0L-710**



| ITEM | PART NUMBER | QTY | LINE | SERIES | BODY | ENGINE | TRANS | TRIM | DESCRIPTION  |
|------|-------------|-----|------|--------|------|--------|-------|------|--|
| 1    | 04848784    | 1   |      |        |      | EWB    |       |      | CAP, Oil Pressure Relief Valve   |
| 2    | 04848785    | 1   |      |        |      | EWB    |       |      | SPRING, Oil Pressure Relief Valve  |
| -3   | 02843208AB  | 2   |      |        |      | EWB    |       |      | PLUNGER, Oil Pressure Relief Valve, Serviced in Case Cover                               |
| 4    | 04848786    | 1   |      |        |      | EWB    |       |      | VALVE, Oil Cooler Pressure   |
| 5    | 04763731    | 1   |      |        |      | EWB    |       |      | COVER, Timing Case   |
| 6    | 05245525    | 1   |      |        |      | EWB    |       |      | ROTOR SET, Oil Pump  |
| 7    | 05245128    | 1   |      |        |      | EWB    |       |      | COVER, Engine Oil Pump   |
| 8    | 06034475    | 4   |      |        |      | EWB    |       |      | SCREW, Torx Head, .25-20x.75   |
| 9    | 04763791    | 1   |      |        |      | EWB    |       |      | INDICATOR, Engine Oil Level  |
| 10   | 04763792    | 1   |      |        |      | EWB    |       |      | TUBE, Engine Oil Indicator   |
| 11   | 04763740    | 1   |      |        |      | EWB    |       |      | PICKUP, Engine Oil   |
| 12   | 00154601    | 8   |      |        |      | EWB    |       |      | SCREW, Pan Head, .19-24x.5   |
| 13   | 00219462    | 8   |      |        |      | EWB    |       |      | NUT, Hex, .250-20  |
| 14   | 05281090    | 1   |      |        |      | EWB    |       |      | FILTER, Engine Oil   |
|      | 0FE00292    |     |      |        |      |        |       |      | Canadian Aftermarket Part  |
|      | 05281090BA  |     |      |        |      |        |       |      | BULK PACK (12)   |
|      | 77060018    |     |      |        |      |        |       |      | Performance Mobil 1, 15W - 50 Tri-Synthetic Engine Oil- Recommended Fill for 6.1L & 8.3L |
|      | P5007323    |     |      |        |      |        |       |      | Performance Mobil 1, 5W - 30 Tri-Synthetic Engine Oil, Quart                             |
| 15   | 53007563    | 1   |      |        |      | EWB    |       |      | CONNECTOR, Oil Filter  |
| 16   | 06035666    | 26  |      |        |      | EWB    |       |      | SCREW, Hex Flange Head, .25-20x1.00  |
| 17   | 04763736    | 1   |      |        |      | EWB    |       |      | ADAPTER, Oil Filter  |
| 18   | 04763738    | 1   |      |        |      | EWB    |       |      | SEAL, Drain Plug   |
| 19   | 05245086    | 1   |      |        |      | EWB    |       |      | GASKET, Oil Filter Adapter   |
| 20   | 04848331    | 2   |      |        |      | EWB    |       |      | CONNECTOR, Engine Oil Cooler   |
| 21   | 04763737    | 1   |      |        |      | EWB    |       |      | GASKET, Oil Pan  |
| 22   | 04763744    | 1   |      |        |      | EWB    |       |      | PAN, Engine Oil  |
| 23   | 06035666    | 26  |      |        |      | EWB    |       |      | SCREW, Hex Flange Head, .25-20x1.00  |
| 24   | 04763739    | 1   |      |        |      | EWB    |       |      | PLUG, Oil Drain  |
| 25   | 04848705    | 1   |      |        |      | EWB    |       |      | TRAY, Windage  |
| -26  | 05245324    | 1   |      |        |      | EWB    |       |      | SEAL, Rear Main Crankshaft   |

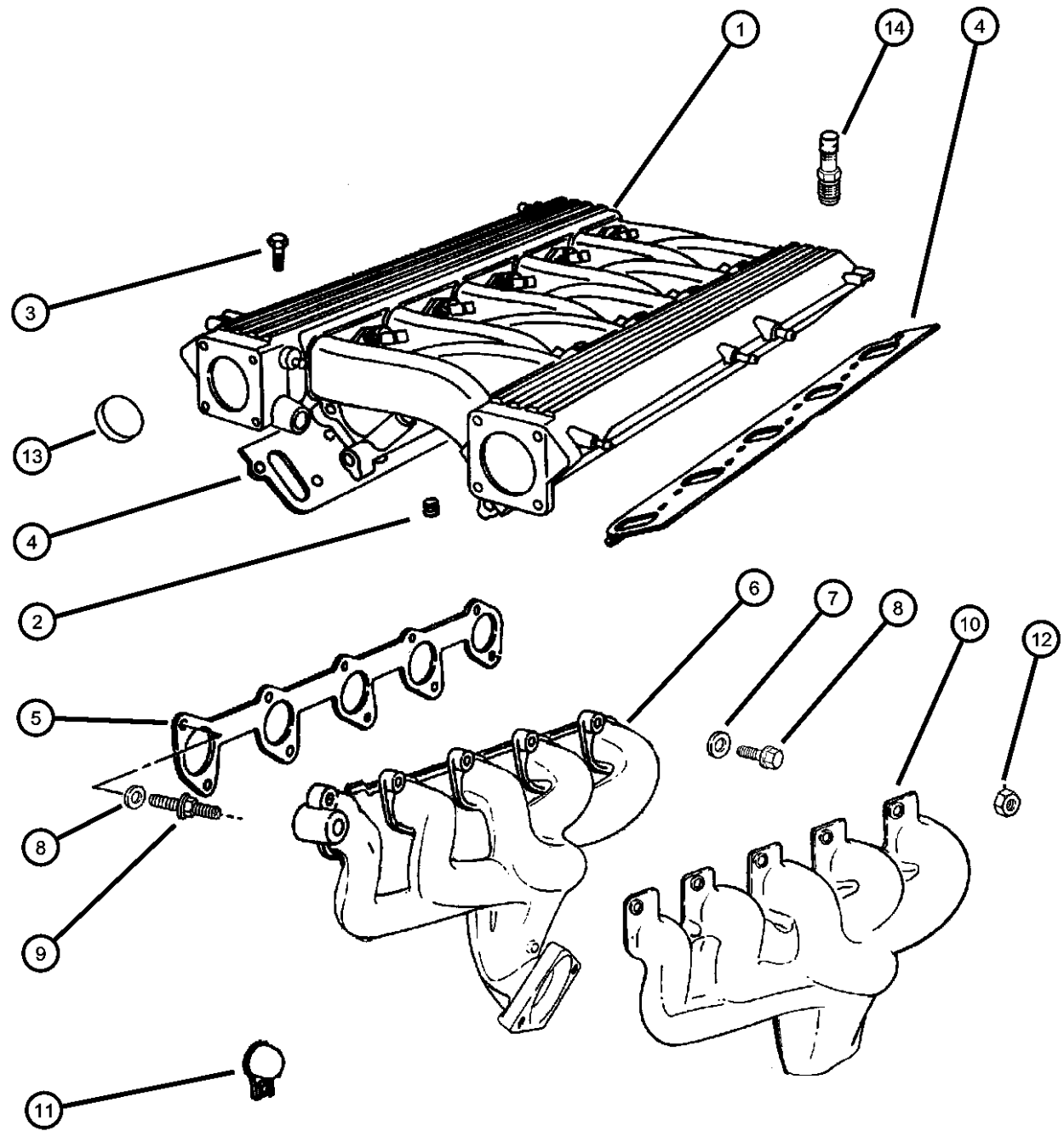
**VIPER GTS COUPE,VIPER RT/10 ROADSTER (SR)**

|                |           |                       |                           |                                   |
|----------------|-----------|-----------------------|---------------------------|-----------------------------------|
| SERIES         | LINE      | BODY                  | ENGINE                    | TRANSMISSION                      |
| S = RT/10      | D = DODGE | 27 = 2-DR CONVERTIBLE | EWB = 8.0L V10 SFI Engine | DEC = 6-Speed Manual Transmission |
| S = GTS Coupe  |           | 29 = SPECIALTY COUPE  |                           | DBB = All Manual Transmissions    |
| X = GTS/Lemans |           |                       |                           |                                   |

AR = use ase required - = Non illustrated part

1997 SR

**Manifolds, Intake and Exhaust 8.0L Engine  
Figure 8.0L-810**



| ITEM | PART NUMBER | QTY | LINE | SERIES | BODY | ENGINE | TRANS | TRIM | DESCRIPTION  |
|------|-------------|-----|------|--------|------|--------|-------|------|--|
| 1    | 04763758    | 1   |      |        |      | EWB    |       |      | MANIFOLD, Intake                                   |
| 2    | 06034166    | 10  |      |        |      | EWB    |       |      | PLUG, Cylinder Block Oil Hole                      |
| 3    | 06035666    | 20  |      |        |      | EWB    |       |      | SCREW, Hex Flange Head, .25-20x1.00                |
| 4    | 05245194    | 2   |      |        |      | EWB    |       |      | GASKET, Intake Manifold                            |
| 5    | 04848339    | 2   |      |        |      | EWB    |       |      | GASKET, Exhaust Manifold                           |
| 6    |             |     |      |        |      |        |       |      | MANIFOLD, Exhaust                                  |
|      | 04763770    | 1   |      |        |      | EWB    |       |      | Right  |
|      | 04763771    | 1   |      |        |      | EWB    |       |      | Left   |
| 7    | 06034595    | 20  |      |        |      | EWB    |       |      | WASHER, Coned, .340 x .750 x .180                  |
| 8    | 06034596    | 14  |      |        |      | EWB    |       |      | BOLT, Hex Head                                     |
| 9    | 06034658    | 6   |      |        |      | EWB    |       |      | STUD   |
| 10   | 05245642    | 2   |      |        |      |        |       |      | SHIELD, Exhaust Manifold                           |
| 11   | 05245585    | 1   |      |        |      | EWB    |       |      | SHIELD, Crank Position Sensor                      |
| 12   | 06034856    | 6   |      |        |      |        |       |      | NUT AND WASHER, Hex Nut-E<br>Teeth Washer, .312-24 |
| 13   | 04763414    | 2   |      |        |      | EWB    |       |      | PLUG, Cylinder Block Oil Hole                      |
| 14   | 05245193    | 1   |      |        |      | EWB    |       |      | VALVE, Shrader                                     |

**VIPER GTS COUPE,VIPER RT/10 ROADSTER (SR)**

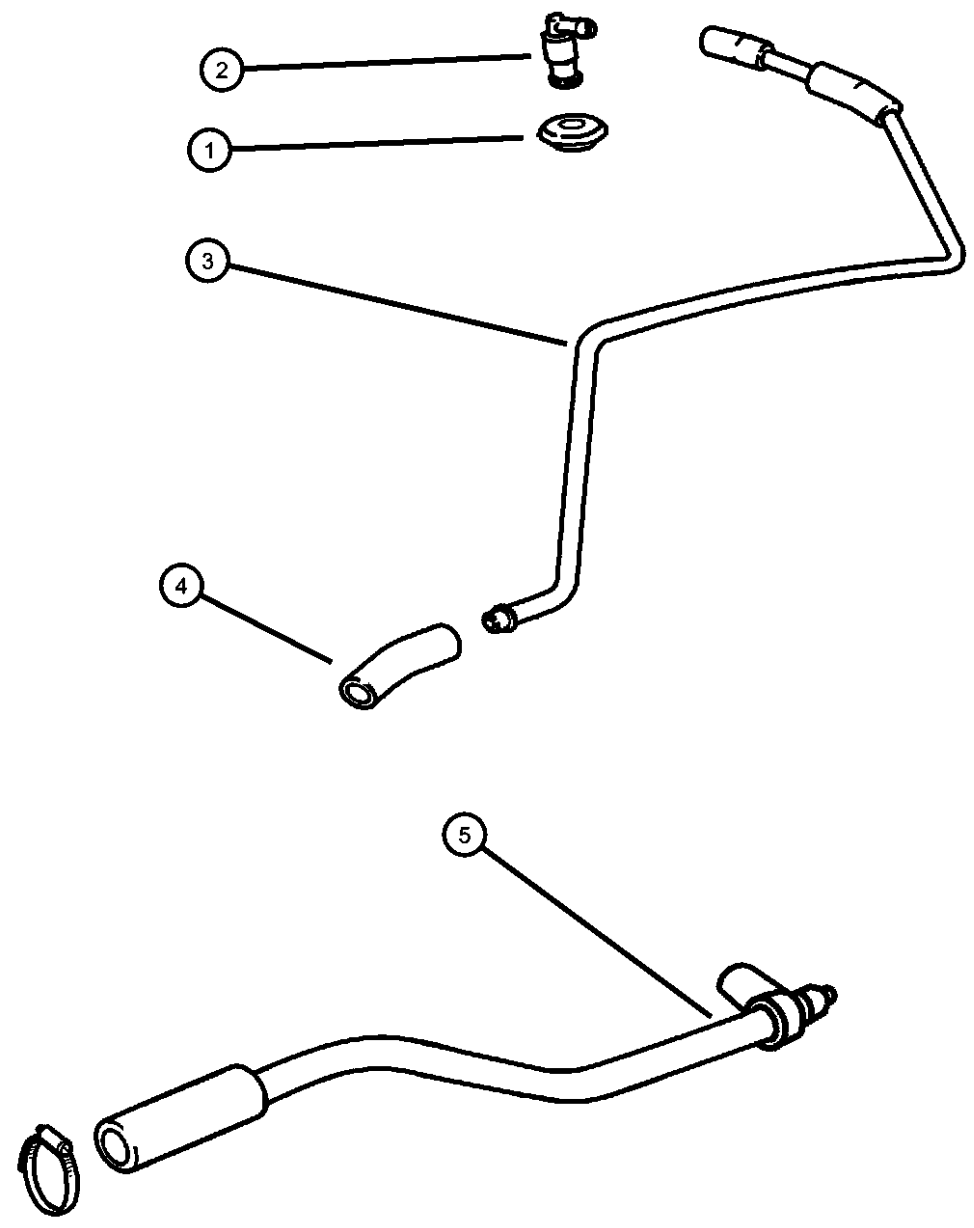
| SERIES         | LINE      | BODY                  | ENGINE                    | TRANSMISSION                      |
|----------------|-----------|-----------------------|---------------------------|-----------------------------------|
| S = RT/10      | D = DODGE | 27 = 2-DR CONVERTIBLE | EWB = 8.0L V10 SFI Engine | DEC = 6-Speed Manual Transmission |
| S = GTS Coupe  |           | 29 = SPECIALTY COUPE  |                           | DBB = All Manual Transmissions    |
| X = GTS/Lemans |           |                       |                           |                                   |

AR = use ase required - = Non illustrated part



**Crankcase Ventilation 8.0L Engine  
Figure 8.0L-910**

| ITEM | PART NUMBER | QTY | LINE | SERIES | BODY | ENGINE | TRANS | TRIM | DESCRIPTION                 |
|------|-------------|-----|------|--------|------|--------|-------|------|-----------------------------|
| 1    | 05245322    | 1   |      |        |      | EWB    |       |      | GROMMET, Crankcase Vent     |
| 2    | 03671076    | 1   |      |        |      | EWB    |       |      | VALVE, PCV                  |
| 3    | 04763767    | 1   |      |        |      | EWB    |       |      | HARNESS, PCV                |
| 4    | 04848340    | 1   |      |        |      | EWB    |       |      | HOSE, PCV Inlet             |
| 5    | 04763806    | 1   |      |        |      | EWB    |       |      | HARNESS, CCV To Air Cleaner |



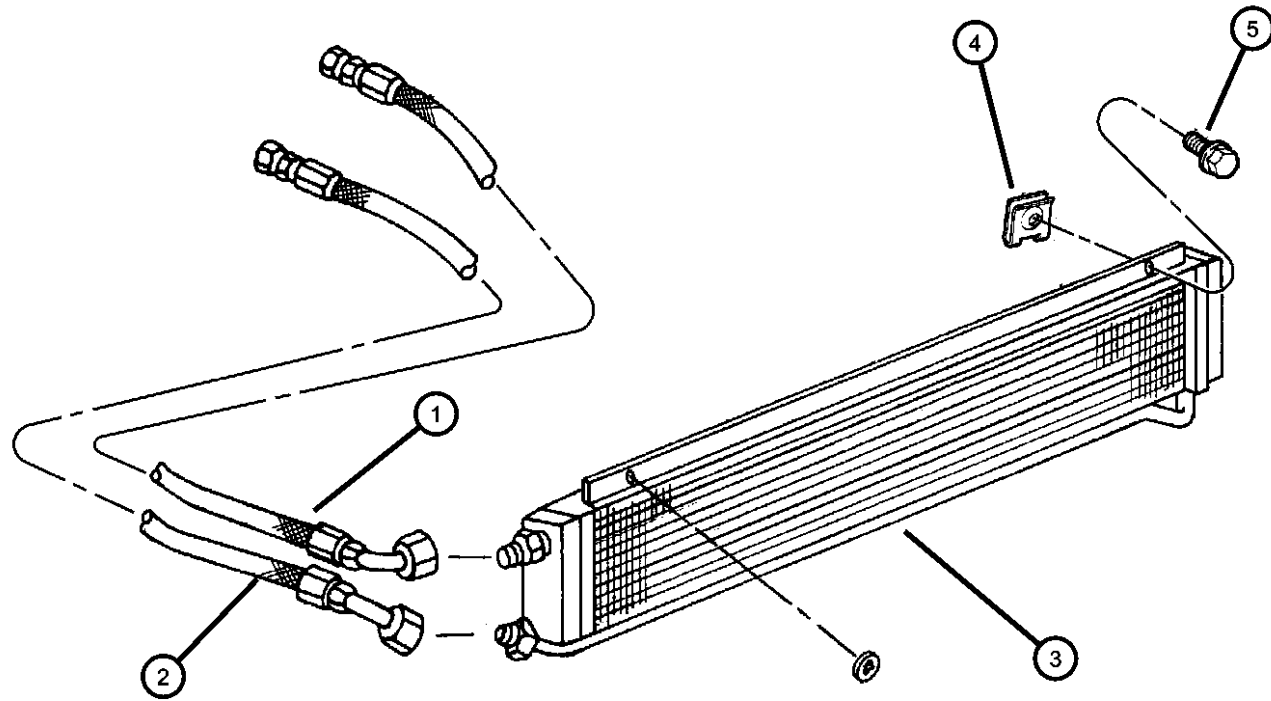
**VIPER GTS COUPE,VIPER RT/10 ROADSTER (SR)**

|                |           |                       |                           |                                   |
|----------------|-----------|-----------------------|---------------------------|-----------------------------------|
| SERIES         | LINE      | BODY                  | ENGINE                    | TRANSMISSION                      |
| S = RT/10      | D = DODGE | 27 = 2-DR CONVERTIBLE | EWB = 8.0L V10 SFI Engine | DEC = 6-Speed Manual Transmission |
| S = GTS Coupe  |           | 29 = SPECIALTY COUPE  |                           | DBB = All Manual Transmissions    |
| X = GTS/Lemans |           |                       |                           |                                   |

AR = use ase required - = Non illustrated part

**Oil Cooler 8.0L Engine  
Figure 8.0L-1110**

| ITEM | PART NUMBER | QTY | LINE | SERIES | BODY | ENGINE | TRANS | TRIM | DESCRIPTION             |
|------|-------------|-----|------|--------|------|--------|-------|------|-------------------------|
| 1    | 04848310    | 1   |      |        |      |        |       |      | LINE, Oil Cooler Inlet  |
| 2    | 04848300    | 1   |      |        |      |        |       |      | LINE, Oil Cooler Outlet |
| 3    | 04643826    | 1   |      |        |      |        |       |      | COOLER, Engine Oil      |
| 4    | 06101283    | 2   |      |        |      |        |       |      | U-NUT, M8x1.25          |
| 5    | 06100296    | 2   |      |        |      |        |       |      | BOLT, Hex Head          |



**VIPER GTS COUPE,VIPER RT/10 ROADSTER (SR)**

|                |           |                       |                           |                                   |
|----------------|-----------|-----------------------|---------------------------|-----------------------------------|
| SERIES         | LINE      | BODY                  | ENGINE                    | TRANSMISSION                      |
| S = RT/10      | D = DODGE | 27 = 2-DR CONVERTIBLE | EWB = 8.0L V10 SFI Engine | DEC = 6-Speed Manual Transmission |
| S = GTS Coupe  |           | 29 = SPECIALTY COUPE  |                           | DBB = All Manual Transmissions    |
| X = GTS/Lemans |           |                       |                           |                                   |

AR = use ase required - = Non illustrated part

1997 SR

# Group - 11

## Exhaust

### Group - 11 Exhaust

Illustration Title

Group-Fig. No.

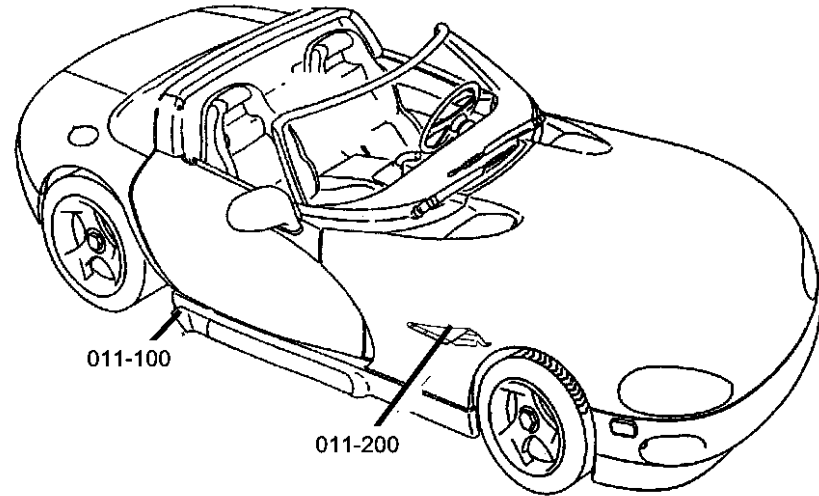
#### Exhaust System

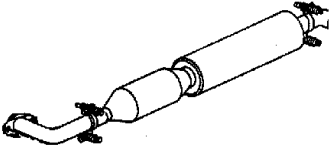
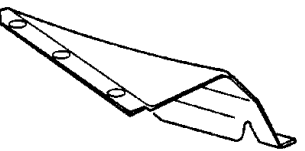
Exhaust System, U.S. and Canada ..... Fig. 11 - 115

Exhaust System, Export ..... Fig. 11 - 120

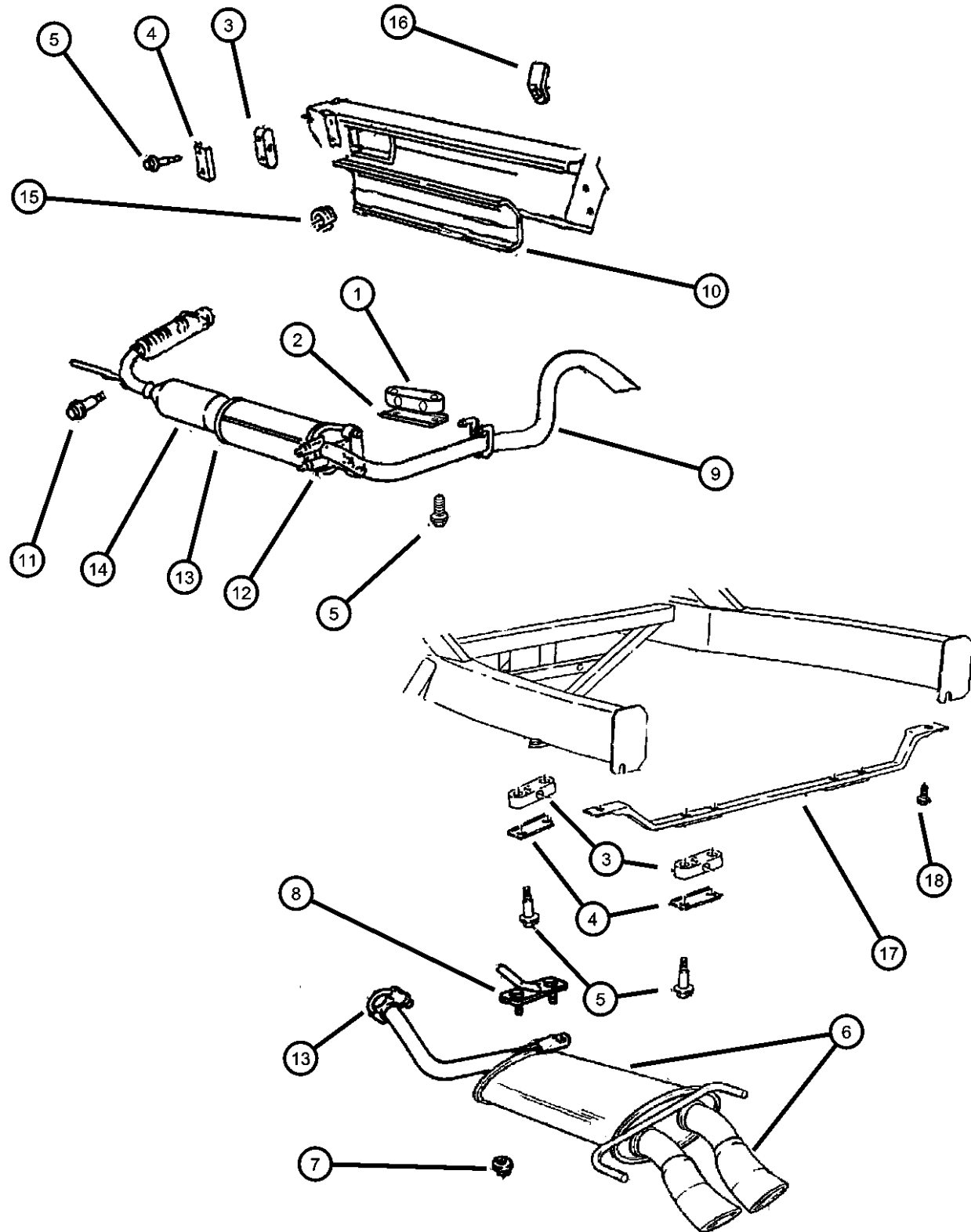
#### Heat Shields

Heat Shield ..... Fig. 11 - 210



|   |  |  |  |
|---|--|--|--|
| <p><b>011-100</b><br/>Exhaust System</p>  | <p><b>011-200</b><br/>Heat Shields</p>  |  |  |
|---|--|--|--|

Exhaust System, U.S. and Canada  
Figure 11-115



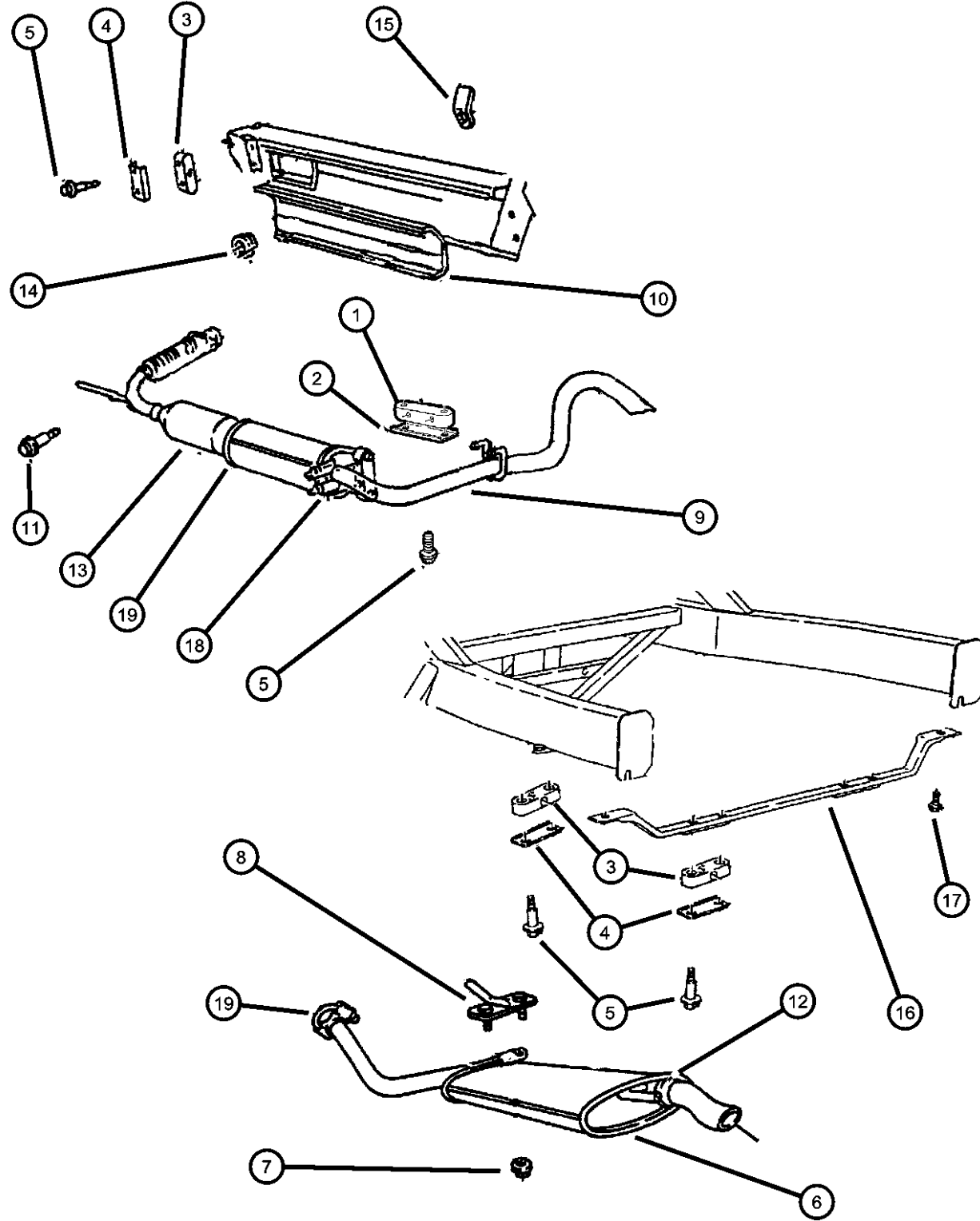
| ITEM | PART NUMBER | QTY | LINE | SERIES | BODY | ENGINE | TRANS | TRIM | DESCRIPTION   |
|------|-------------|-----|------|--------|------|--------|-------|------|---|
| 1    | 04763667    | 1   |      |        |      |        |       |      | ISOLATOR, Exhaust Support                               |
| 2    | 04763629    | 2   |      |        |      |        |       |      | SUPPORT, Exhaust Isolator                               |
| 3    | 04709038    | 5   |      |        |      |        |       |      | ISOLATOR, Exhaust                                       |
| 4    | 04708458    | 5   |      |        |      |        |       |      | SUPPORT, Exhaust Isolator                               |
| 5    | 06033047    | 14  |      |        |      |        |       |      | BOLT, Shoulder, .312-18x2.00                            |
| 6    | 05245788    | 1   |      |        |      |        |       |      | MUFFLER, Exhaust, w/Pipe                                |
| 7    | 06101445    | 2   |      |        |      |        |       |      | NUT AND WASHER, Hex Nut-Coned Washer, M8 x 1.25, Hanger |
| 8    | 05245034    | 1   |      |        |      |        |       |      | HANGER, Muffler, Rear                                   |
| 9    |             |     |      |        |      |        |       |      | RESONATOR AND PIPE, Exhaust                             |
|      | 04854302AA  | 1   |      |        |      |        |       |      | Right   |
|      | 04854303AA  | 1   |      |        |      |        |       |      | Left  |
| 10   |             |     |      |        |      |        |       |      | INSULATION, Thermal Sill Inner                          |
|      | 05245814    | 1   |      |        |      |        |       |      | Right   |
|      | 05245815    | 1   |      |        |      |        |       |      | Left  |
| 11   | 06100299    | 2   |      |        |      |        |       |      | BOLT AND CONED WASHER, Hex Head, M8x45x17               |
| 12   | 04695220    | 2   |      |        |      |        |       |      | CLAMP, Exhaust, 57.2mm                                  |
| 13   | 04848935AA  | 1   |      |        |      |        |       |      | CLAMP, Exhaust, 2 1/2' Band                             |
| 14   |             |     |      |        |      |        |       |      | CONVERTER, Catalytic                                    |
|      | 04855440    | 1   |      |        |      |        |       |      | Right   |
|      | 04855441    | 1   |      |        |      |        |       |      | Left  |
| 15   | 04763586    | 2   |      |        |      |        |       |      | GASKET, Exhaust, Ring, Exhaust Pipe to Manifold         |
| 16   | 04427610    | 4   |      |        |      |        |       |      | NUT, Hex Flange, M8x1.25                                |
| 17   | 04709106    | 1   |      |        |      |        |       |      | HANGER BAR, Muffler                                     |
| 18   | 06101542    | 2   |      |        |      |        |       |      | SCREW, Hex Head, M8-1.25 x 20, Hanger Bar,              |

VIPER GTS COUPE,VIPER RT/10 ROADSTER (SR)

| SERIES         | LINE      | BODY                  | ENGINE                    | TRANSMISSION                      |
|----------------|-----------|-----------------------|---------------------------|-----------------------------------|
| S = RT/10      | D = DODGE | 27 = 2-DR CONVERTIBLE | EWB = 8.0L V10 SFI Engine | DEC = 6-Speed Manual Transmission |
| S = GTS Coupe  |           | 29 = SPECIALTY COUPE  |                           | DBB = All Manual Transmissions    |
| X = GTS/Lemans |           |                       |                           |                                   |

AR = use ase required - = Non illustrated part

Exhaust System, Export  
Figure 11-120



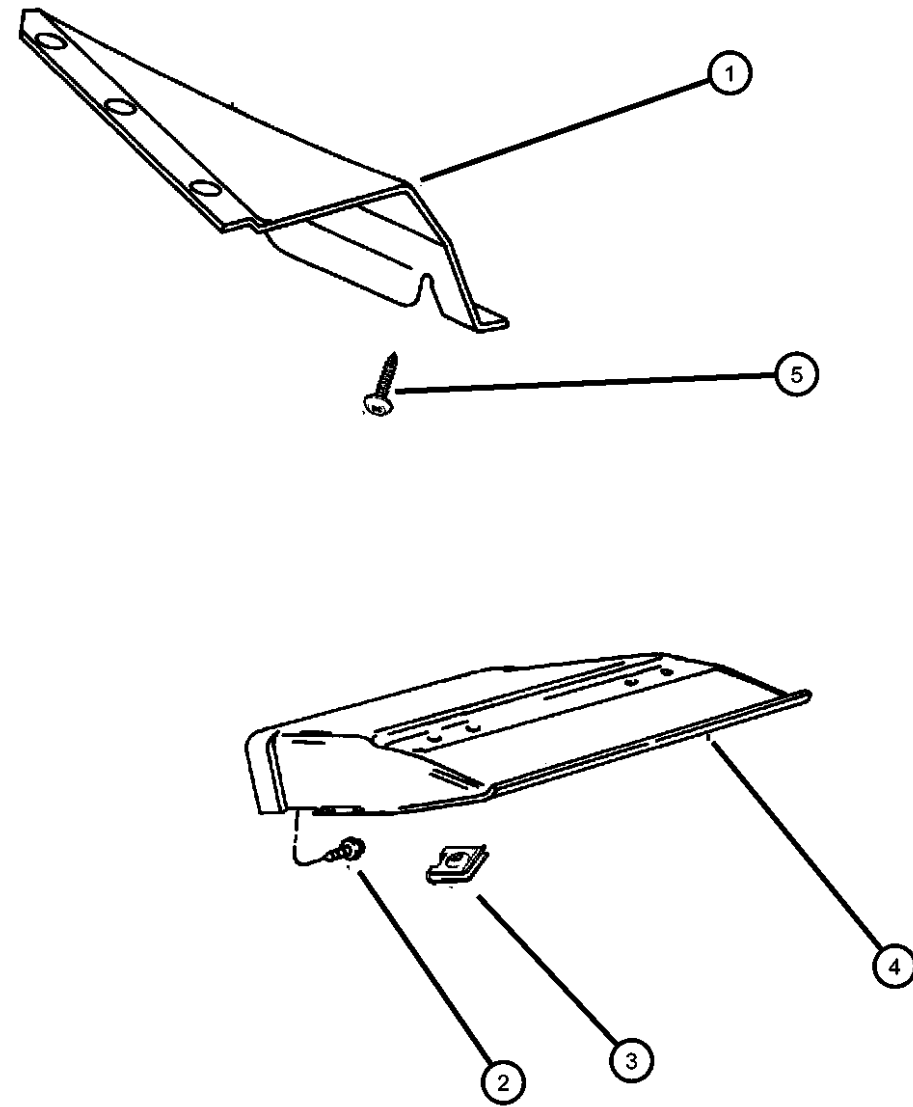
| ITEM | PART NUMBER | QTY | LINE | SERIES | BODY | ENGINE | TRANS | TRIM | DESCRIPTION   |
|------|-------------|-----|------|--------|------|--------|-------|------|---|
| 1    | 04763667    | 1   |      |        |      |        |       |      | ISOLATOR, Exhaust Support                                   |
| 2    | 04763629    | 2   |      |        |      |        |       |      | SUPPORT, Exhaust Isolator                                   |
| 3    | 04709038    | 5   |      |        |      |        |       |      | ISOLATOR, Exhaust   |
| 4    | 04708458    | 5   |      |        |      |        |       |      | SUPPORT, Exhaust Isolator                                   |
| 5    | 06033047    | 14  |      |        |      |        |       |      | BOLT, Shoulder, .312-18x2.00                                |
| 6    |             |     |      |        |      |        |       |      | MUFFLER, Exhaust  |
|      | 04763668    | 1   |      |        |      |        |       |      | Right   |
|      | 04763669    | 1   |      |        |      |        |       |      | Left  |
| 7    | 06101445    | 2   |      |        |      |        |       |      | NUT AND WASHER, Hex Nut-Coned Washer, M8 x 1.25, Hanger     |
| 8    | 05245034    | 1   |      |        |      |        |       |      | HANGER, Muffler, Rear                                       |
| 9    |             |     |      |        |      |        |       |      | MUFFLER, Exhaust  |
|      | 04763588    | 1   |      |        |      |        |       |      | Right   |
|      | 04763589    | 1   |      |        |      |        |       |      | Left  |
| 10   |             |     |      |        |      |        |       |      | INSULATION, Thermal Sill Inner                              |
|      | 05245814    | 1   |      |        |      |        |       |      | Right   |
|      | 05245815    | 1   |      |        |      |        |       |      | Left  |
| 11   | 06100299    | 2   |      |        |      |        |       |      | BOLT AND CONED WASHER, Hex Head, M8x45x17                   |
| 12   | 04695220    | 2   |      |        |      |        |       |      | CLAMP, Exhaust, Muffler Tip                                 |
| 13   |             |     |      |        |      |        |       |      | CONVERTER, Catalytic  |
|      | 04855440    | 1   |      |        |      |        |       |      | Right   |
|      | 04855441    | 1   |      |        |      |        |       |      | Left  |
| 14   | 04763586    | 2   |      |        |      |        |       |      | GASKET, Exhaust, Ring, Exhaust Manifold to Exhaust Assembly |
| 15   | 04427610    | 4   |      |        |      |        |       |      | NUT, Hex Flange, M8x1.25                                    |
| 16   | 04709106    | 1   |      |        |      |        |       |      | HANGER BAR, Muffler, Muffler Hanger                         |
| 17   | 06101542    | 2   |      |        |      |        |       |      | SCREW, Hex Head, M8-1.25 x 20, Hanger Bar                   |
| 18   | 04695220    | 2   |      |        |      |        |       |      | CLAMP, Exhaust, 57.2mm                                      |
| 19   | 04848935AA  | 1   |      |        |      |        |       |      | CLAMP, Exhaust, 2 1/2' Band                                 |

VIPER GTS COUPE,VIPER RT/10 ROADSTER (SR)

| SERIES         | LINE      | BODY                  | ENGINE                    | TRANSMISSION                      |
|----------------|-----------|-----------------------|---------------------------|-----------------------------------|
| S = RT/10      | D = DODGE | 27 = 2-DR CONVERTIBLE | EWB = 8.0L V10 SFI Engine | DEC = 6-Speed Manual Transmission |
| S = GTS Coupe  |           | 29 = SPECIALTY COUPE  |                           | DBB = All Manual Transmissions    |
| X = GTS/Lemans |           |                       |                           |                                   |

AR = use ase required - = Non illustrated part

Heat Shield  
Figure 11-210



| ITEM | PART NUMBER | QTY | LINE | SERIES | BODY | ENGINE | TRANS | TRIM | DESCRIPTION  |
|------|-------------|-----|------|--------|------|--------|-------|------|--|
| 1    | 04763846    | 1   |      |        |      |        |       |      | SHIELD, Heat Right   |
|      | 04763847    | 1   |      |        |      |        |       |      | Left   |
| 2    | 06035135    | 2   |      |        |      |        |       |      | SCREW, Shield, (.250-14x.875)  |
| 3    | 06029074    | 6   |      |        |      |        |       |      | U-NUT, .25-20, Shield  |
| 4    | 05245730    | 1   |      |        |      |        |       |      | SHIELD, Heat, Rear Muffler   |
| 5    | 06035494    | 10  |      |        |      |        |       |      | SCREW TAPPING & WASHER, Hex Head, .190-16X.500, Shield, (.190-16x.500) |

VIPER GTS COUPE,VIPER RT/10 ROADSTER (SR)

| SERIES         | LINE      | BODY                  | ENGINE                    | TRANSMISSION                      |
|----------------|-----------|-----------------------|---------------------------|-----------------------------------|
| S = RT/10      | D = DODGE | 27 = 2-DR CONVERTIBLE | EWB = 8.0L V10 SFI Engine | DEC = 6-Speed Manual Transmission |
| S = GTS Coupe  |           | 29 = SPECIALTY COUPE  |                           | DBB = All Manual Transmissions    |
| X = GTS/Lemans |           |                       |                           |                                   |

AR = use ase required - = Non illustrated part

1997 SR

# Group - 13

## Frames and Bumpers

### Group - 13 Frames and Bumpers

Illustration Title

Group-Fig. No.

#### Frames

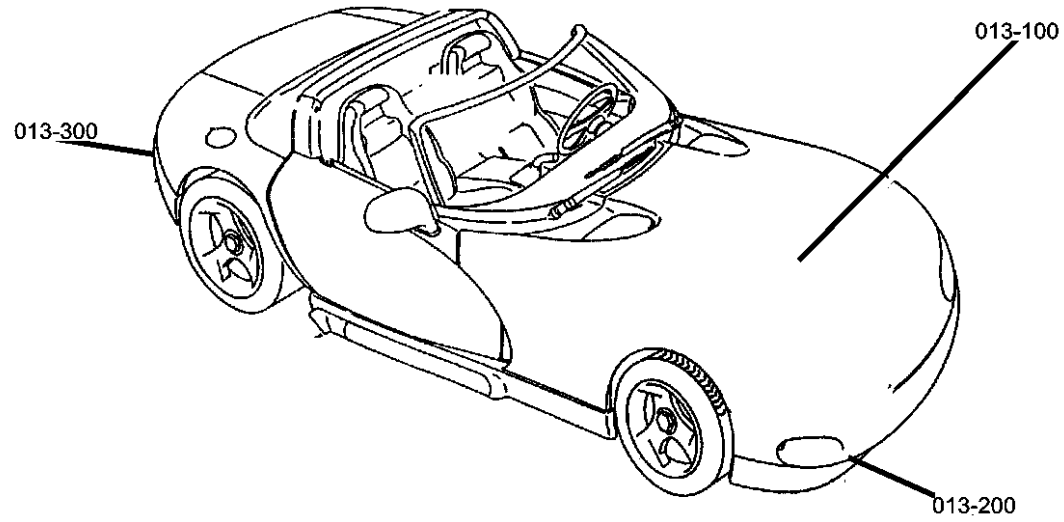
Frame .....Fig. 13 - 110

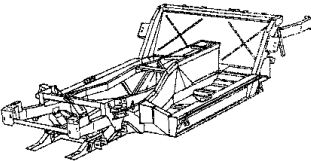
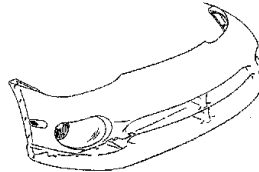

#### Front Bumper and Fascia

Fascia, Front.....Fig. 13 - 210

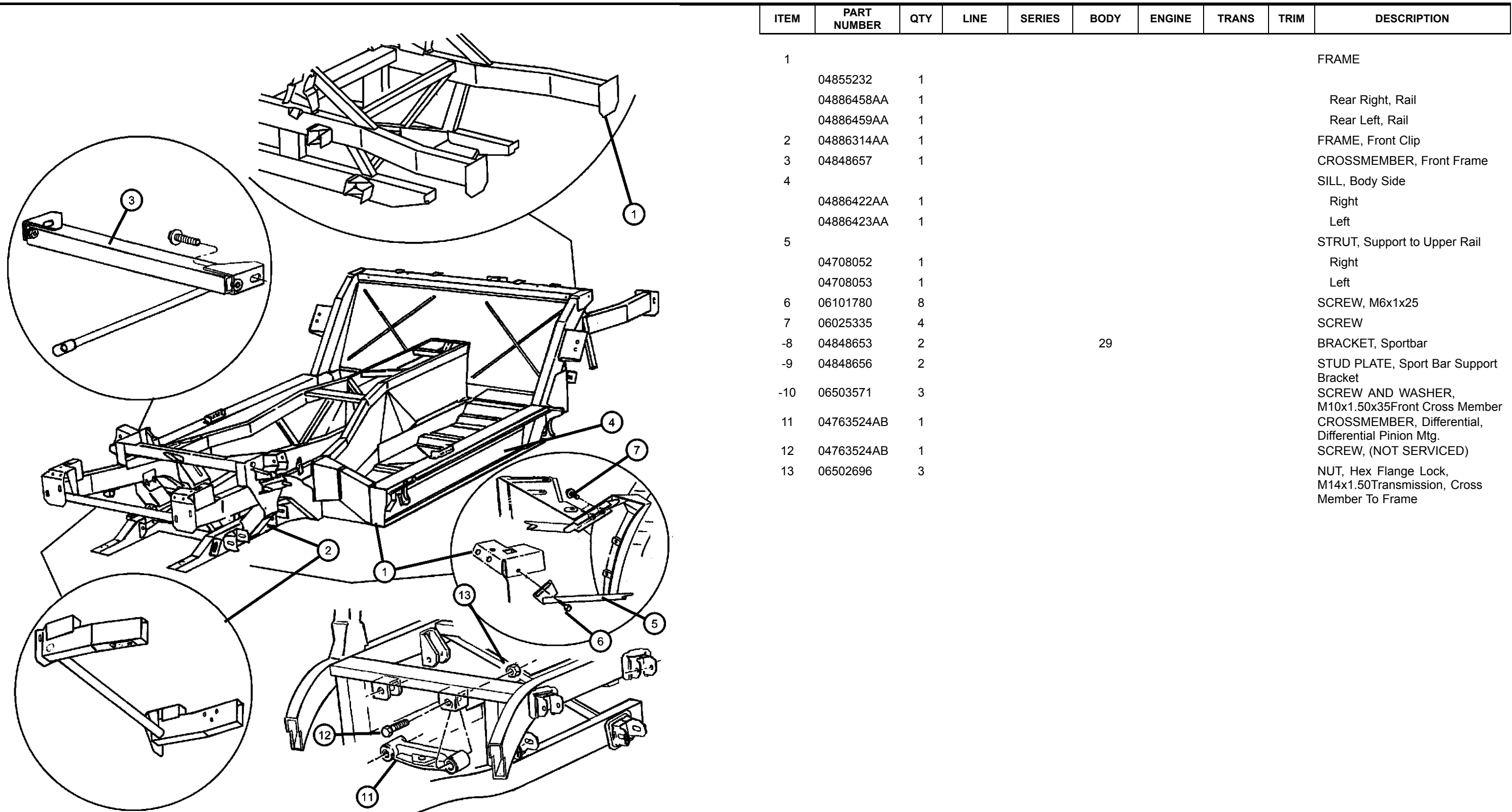
#### Rear Bumper and Fascia

Fascia, Rear .....Fig. 13 - 310



|   |   |   |  |
|---|---|---|--|
| <p><b>013-100</b><br/>Frames</p>  | <p><b>013-200</b><br/>Front Bumper and Fascia</p>  | <p><b>013-300</b><br/>Rear Bumper and Fascia</p>  |  |
|---|---|---|--|

Frame  
Figure 13-110



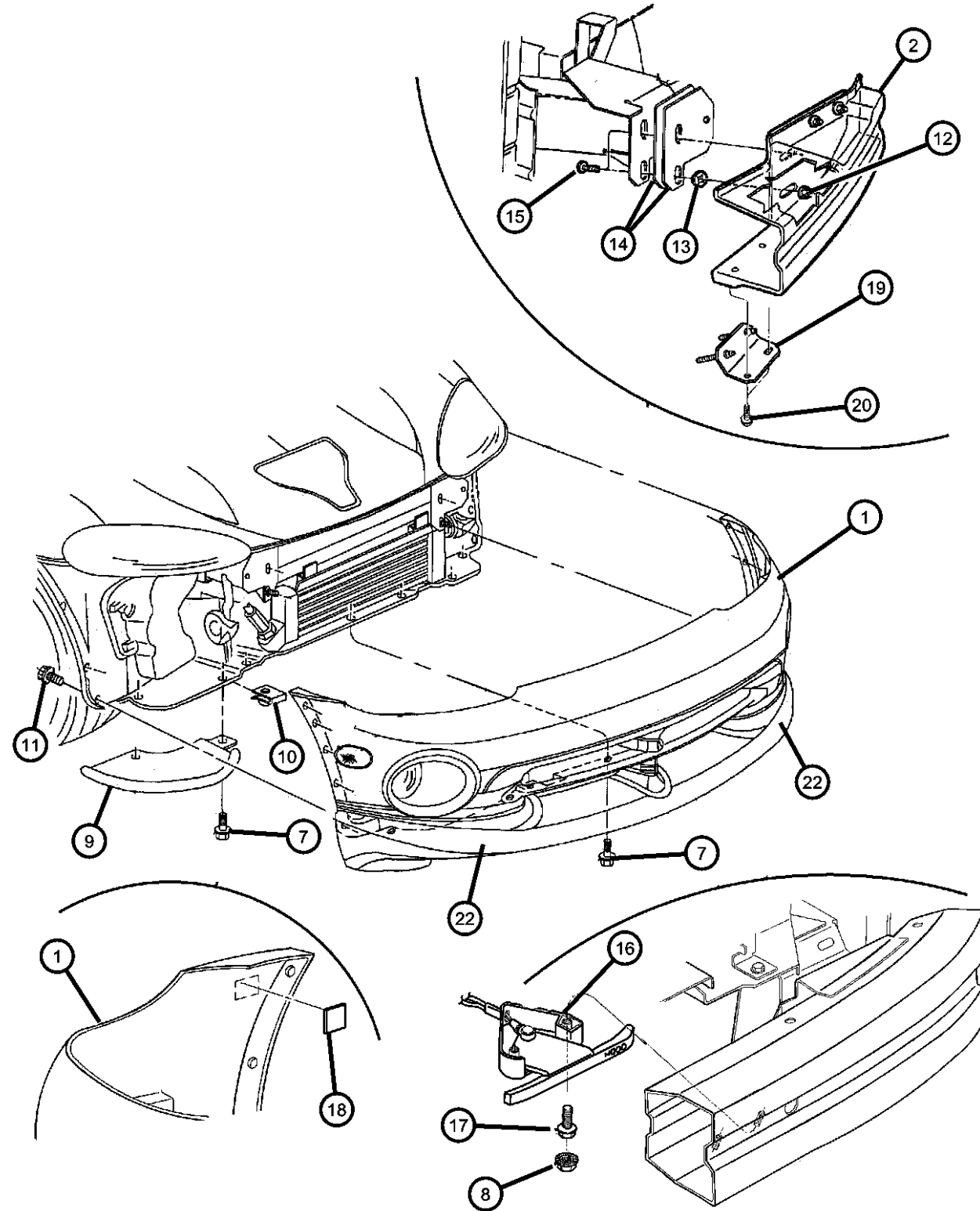
| ITEM | PART NUMBER | QTY | LINE | SERIES | BODY | ENGINE | TRANS | TRIM | DESCRIPTION   |
|------|-------------|-----|------|--------|------|--------|-------|------|---|
| 1    |             |     |      |        |      |        |       |      | FRAME   |
|      | 04855232    | 1   |      |        |      |        |       |      |   |
|      | 04886458AA  | 1   |      |        |      |        |       |      | Rear Right, Rail  |
|      | 04886459AA  | 1   |      |        |      |        |       |      | Rear Left, Rail   |
| 2    | 04886314AA  | 1   |      |        |      |        |       |      | FRAME, Front Clip   |
| 3    | 04848657    | 1   |      |        |      |        |       |      | CROSSMEMBER, Front Frame  |
| 4    |             |     |      |        |      |        |       |      | SILL, Body Side   |
|      | 04886422AA  | 1   |      |        |      |        |       |      | Right   |
|      | 04886423AA  | 1   |      |        |      |        |       |      | Left  |
| 5    |             |     |      |        |      |        |       |      | STRUT, Support to Upper Rail                                      |
|      | 04708052    | 1   |      |        |      |        |       |      | Right   |
|      | 04708053    | 1   |      |        |      |        |       |      | Left  |
| 6    | 06101780    | 8   |      |        |      |        |       |      | SCREW, M6x1x25  |
| 7    | 06025335    | 4   |      |        |      |        |       |      | SCREW   |
| -8   | 04848653    | 2   |      |        | 29   |        |       |      | BRACKET, Sportbar   |
| -9   | 04848656    | 2   |      |        |      |        |       |      | STUD PLATE, Sport Bar Support Bracket                             |
| -10  | 06503571    | 3   |      |        |      |        |       |      | SCREW AND WASHER, M10x1.50x35Front Cross Member                   |
| 11   | 04763524AB  | 1   |      |        |      |        |       |      | CROSSMEMBER, Differential, Differential Pinion Mtg.               |
| 12   | 04763524AB  | 1   |      |        |      |        |       |      | SCREW, (NOT SERVICED)   |
| 13   | 06502696    | 3   |      |        |      |        |       |      | NUT, Hex Flange Lock, M14x1.50Transmission, Cross Member To Frame |

VIPER GTS COUPE,VIPER RT/10 ROADSTER (SR)  
 SERIES LINE BODY ENGINE TRANSMISSION  
 S = RT/10 D = DODGE 27 = 2-DR CONVERTIBLE EWB = 8.0L V10 SFI Engine DEC = 6-Speed Manual Transmission  
 S = GTS Coupe 29 = SPECIALTY COUPE DBB = All Manual Transmissions  
 X = GTS/Lemans

AR = use ase required - = Non illustrated part



Fascia, Front  
Figure 13-210



| ITEM | PART NUMBER | QTY | LINE | SERIES | BODY | ENGINE | TRANS | TRIM | DESCRIPTION   |
|------|-------------|-----|------|--------|------|--------|-------|------|---|
| 1    | 0KS721BEAB  | 1   |      |        |      |        |       |      | FASCIA, Front<br>Blue/White (APV)                       |
|      | 0KS72LRNAC  | 1   |      |        | 29   |        |       |      | Red (APA)   |
| 2    | 04763098    | 1   |      |        |      |        |       |      | BUMPER, Fascia, Reinforcement                           |
| -3   |             |     |      |        |      |        |       |      | ADAPTER, Bumper Fascia                                  |
|      | 05245074    | 1   |      |        |      |        |       |      | Right   |
|      | 05245075    | 1   |      |        |      |        |       |      | Left  |
| -4   | 04763096    | 1   |      |        | 29   |        |       |      | FOAM AND TAPE, Fascia                                   |
| -5   |             |     |      |        |      |        |       |      | FOAM AND TAPE, Frt Fascia Grille<br>Opng, GT-2          |
|      | 05245044    | 1   |      |        | 27   |        |       |      |   |
|      |             | 1   |      |        | 29   |        |       |      |   |
| -6   | 04848448    | 1   |      |        |      |        |       |      | SEAL, Front Fascia To Hood,<br>Fascia to Hood           |
| 7    | 06025335    | 4   |      |        |      |        |       |      | SCREW   |
| 8    | 06100515    | 2   |      |        |      |        |       |      | NUT, Hex Flange Lock, M5                                |
| 9    |             |     |      |        |      |        |       |      | PANEL, Front Fascia                                     |
|      | 04848612    | 1   |      |        | 29   |        |       |      | Right   |
|      | 04848613    | 1   |      |        | 29   |        |       |      | Left  |
| 10   | 06029074    | 10  |      |        |      |        |       |      | U-NUT, .25-20   |
| 11   | 06100545    | 10  |      |        |      |        |       |      | SCREW AND WASHER, Hex<br>Head, M5x.8x25                 |
| 12   | 06100545    | 10  |      |        |      |        |       |      | NUT, (NOT SERVICED)                                     |
| 13   | 06100545    | 10  |      |        |      |        |       |      | NUT, (NOT SERVICED)                                     |
| 14   | 06100545    | 10  |      |        |      |        |       |      | SHIM, (NOT SERVICED)                                    |
| 15   | 06100545    | 10  |      |        |      |        |       |      | BOLT, (NOT SERVICED)                                    |
| 16   | 04709049    | 1   |      |        |      |        |       |      | HANDLE AND CABLE, Hood<br>Release, w/Cable Hood Release |
| 17   | 04709049    | 1   |      |        |      |        |       |      | SCREW, (NOT SERVICED)                                   |
| 18   | 04709275    | 2   |      |        | 27   |        |       |      | PAD, Bulkhead Spacer, Hood<br>Alignment                 |
| 19   | 04709348    | 1   |      |        |      |        |       |      | BRACKET, Hood Latch, Hood<br>Latch                      |
| 20   | 04709348    | 1   |      |        |      |        |       |      | SCREW, (NOT SERVICED)                                   |
| -21  |             |     |      |        |      |        |       |      | NUT AND WASHER, Hex<br>Nut-Coned Washer, .190-24        |
|      | 06025002    | 4   |      |        | 29   |        |       |      |   |
|      |             | 4   |      |        | 27   |        |       |      |   |
| 22   |             |     |      |        |      |        |       |      | SCUFFER, Fascia Front, Clear<br>Tape                    |

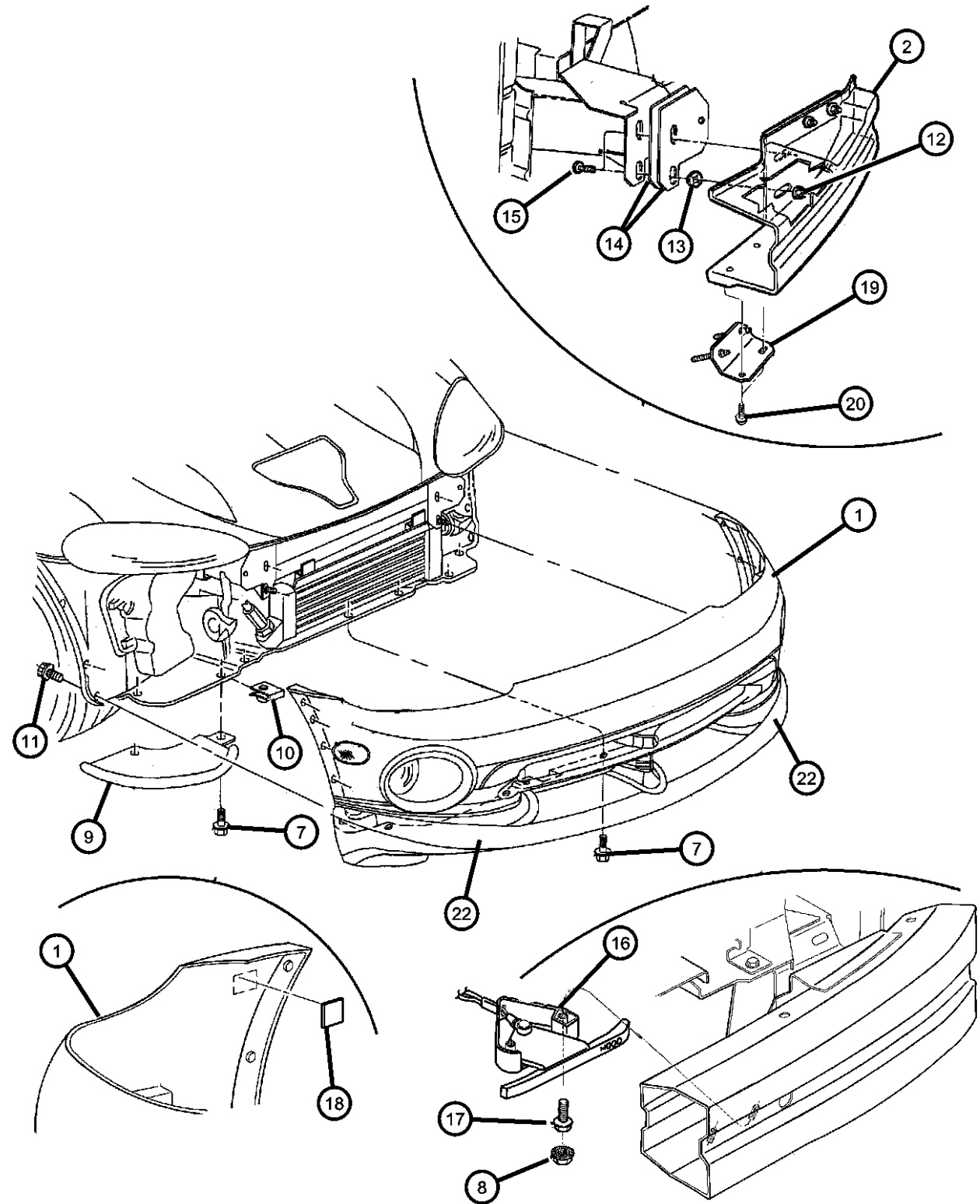
VIPER GTS COUPE,VIPER RT/10 ROADSTER (SR)

| SERIES         | LINE      | BODY                  | ENGINE                    | TRANSMISSION                      |
|----------------|-----------|-----------------------|---------------------------|-----------------------------------|
| S = RT/10      | D = DODGE | 27 = 2-DR CONVERTIBLE | EWB = 8.0L V10 SFI Engine | DEC = 6-Speed Manual Transmission |
| S = GTS Coupe  |           | 29 = SPECIALTY COUPE  |                           | DBB = All Manual Transmissions    |
| X = GTS/Lemans |           |                       |                           |                                   |

AR = use ase required - = Non illustrated part

1997 SR

Fascia, Front  
Figure 13-210



| ITEM | PART NUMBER | QTY | LINE | SERIES | BODY | ENGINE | TRANS | TRIM | DESCRIPTION |
|------|-------------|-----|------|--------|------|--------|-------|------|-------------|
|------|-------------|-----|------|--------|------|--------|-------|------|-------------|

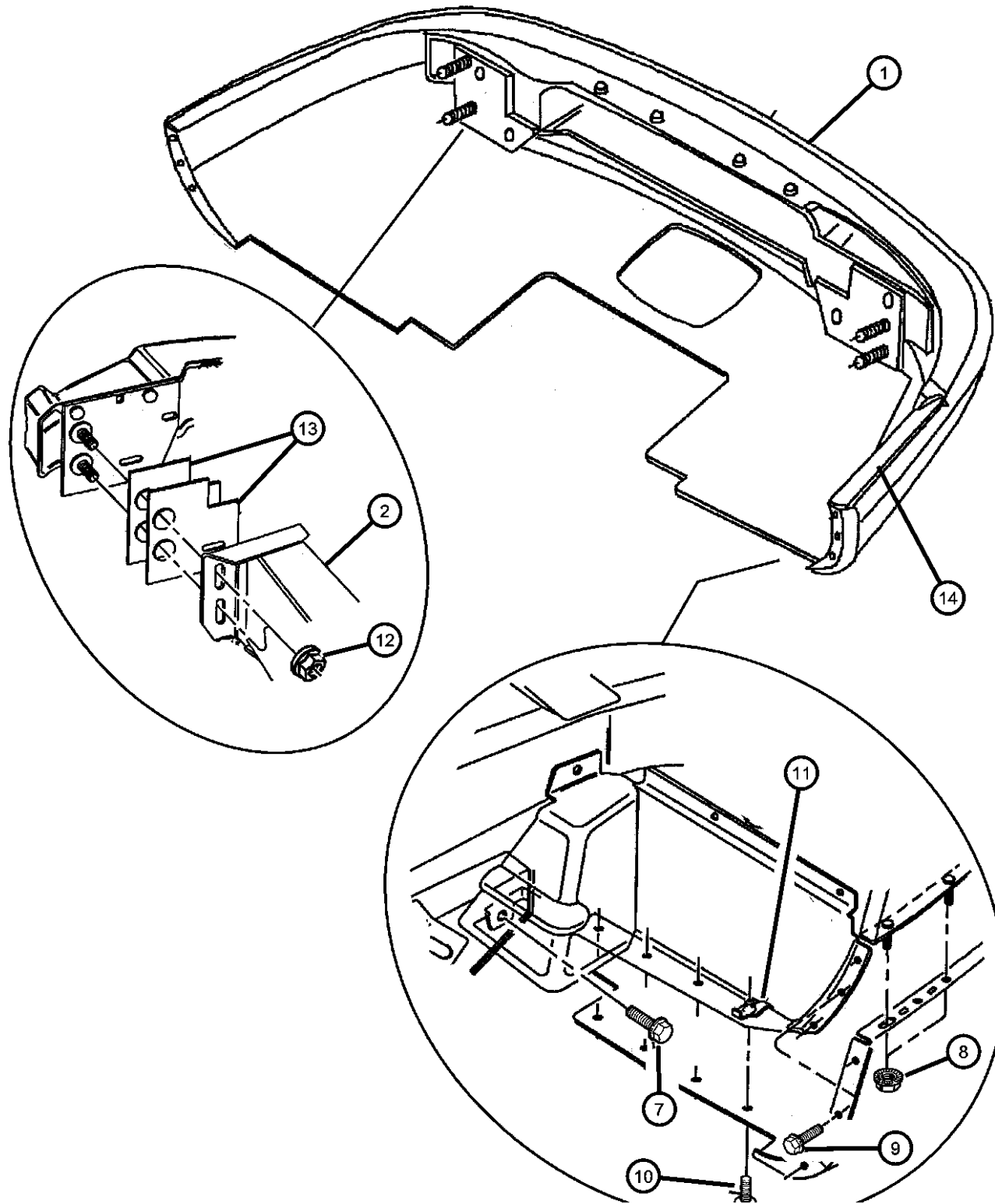
|  |          |   |  |  |    |  |  |  |       |
|--|----------|---|--|--|----|--|--|--|-------|
|  | 04848828 | 1 |  |  | 29 |  |  |  | Right |
|  | 04848829 | 1 |  |  | 29 |  |  |  | Left  |

VIPER GTS COUPE,VIPER RT/10 ROADSTER (SR)

| SERIES         | LINE      | BODY                  | ENGINE                    | TRANSMISSION                      |
|----------------|-----------|-----------------------|---------------------------|-----------------------------------|
| S = RT/10      | D = DODGE | 27 = 2-DR CONVERTIBLE | EWB = 8.0L V10 SFI Engine | DEC = 6-Speed Manual Transmission |
| S = GTS Coupe  |           | 29 = SPECIALTY COUPE  |                           | DBB = All Manual Transmissions    |
| X = GTS/Lemans |           |                       |                           |                                   |

AR = use ase required - = Non illustrated part

Fascia, Rear  
Figure 13-310



| ITEM | PART NUMBER | QTY | LINE | SERIES | BODY | ENGINE | TRANS | TRIM | DESCRIPTION                                     |
|------|-------------|-----|------|--------|------|--------|-------|------|---|
| 1    |             |     |      |        |      |        |       |      | FASCIA, Rear                                    |
|      | 04897985AA  | 1   |      |        | 29   |        |       |      | EXPORT  |
|      | 05003161AA  | 1   |      |        | 27   |        |       |      | Primed  |
|      | 05003162AA  | 1   |      |        | 29   |        |       |      | Primed  |
|      | 0HC801BEAB  | 1   |      |        | 27   |        |       |      | Stripes - Dual Painted (Blue & White)           |
|      | 0LB011BEAB  | 1   |      |        | 29   |        |       |      | Stripes - Dual Painted (Blue & White) EXPORT    |
|      | 0LB051BEAB  | 1   |      |        | 29   |        |       |      | Stripes - Dual Painted (Blue & White)           |
| 2    | 04763098    | 1   |      |        |      |        |       |      | BUMPER, Fascia, Reinforcement                   |
| -3   |             |     |      |        |      |        |       |      | ADAPTER, Bumper Fascia                          |
|      | 05245076    | 1   |      |        | 29   |        |       |      | Right   |
|      |             | 1   |      |        | 27   |        |       |      | Right   |
|      | 05245077    | 1   |      |        | 27   |        |       |      | Left  |
|      |             | 1   |      |        | 29   |        |       |      | Left  |
| -4   | 04763373    | 1   |      |        | 29   |        |       |      | FOAM AND TAPE, FasciaRear                       |
| -5   | 04270974    | 1   |      |        |      |        |       |      | LICENSE PLATE KIT                               |
| -6   | 04643662    | 1   |      |        |      |        |       |      | FRAME, License PlateExport                      |
| 7    | 06035135    | 3   |      |        |      |        |       |      | SCREW, Splash Shield to Frame                   |
| 8    | 06501941    | 4   |      |        |      |        |       |      | NUT AND WASHER, Fascia to Quarter Panel         |
| 9    | 06033526    | 6   |      |        |      |        |       |      | SCREW, .19-16x.75                               |
| 10   | 06025335    | 8   |      |        |      |        |       |      | SCREW, Fascia to Lower Splash                   |
| 11   | 06029074    | 8   |      |        |      |        |       |      | U-NUT, .25-20                                   |
| 12   | 06101448    | 4   |      |        |      |        |       |      | NUT AND WASHER, Hex Nut-Coned Washer, M10 x 1.5 |
| 13   | 06101448    | 4   |      |        |      |        |       |      | SHIM, Not Serviced, (NOT SERVICED)              |
| 14   |             |     |      |        |      |        |       |      | RETAINER, Rear Fascia                           |
|      | 05245790    | 1   |      |        | 29   |        |       |      | Right   |
|      | 05245791    | 1   |      |        | 29   |        |       |      | Left  |

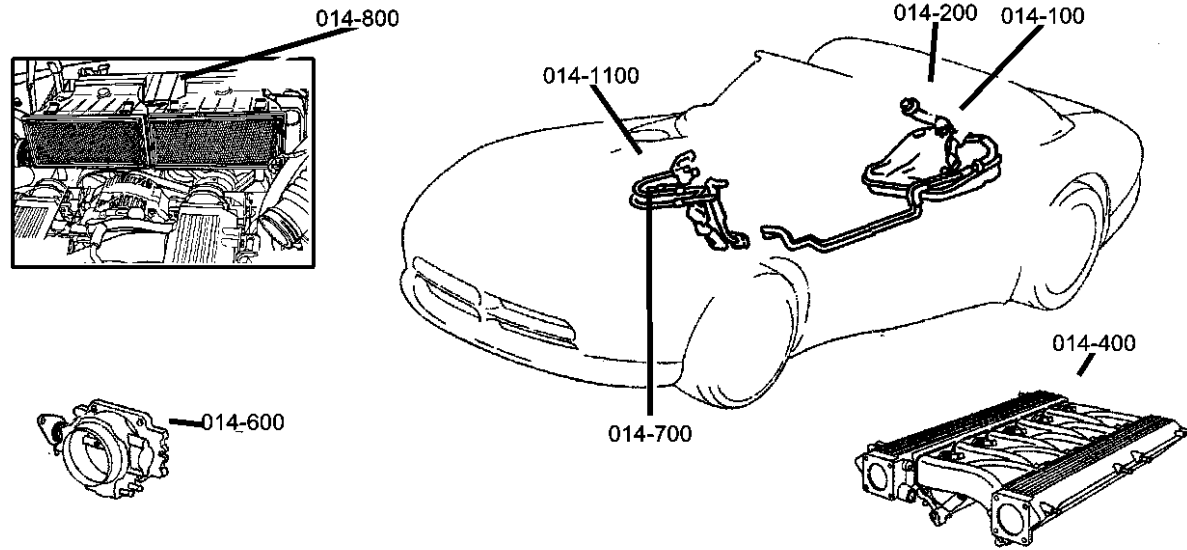
VIPER GTS COUPE,VIPER RT/10 ROADSTER (SR)

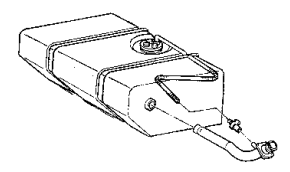

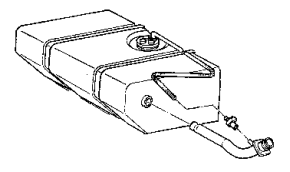
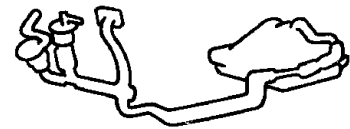
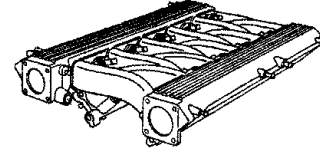
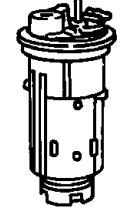
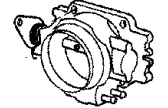
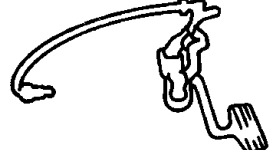
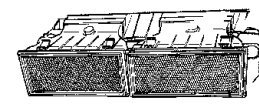
| SERIES         | LINE      | BODY                  | ENGINE                    | TRANSMISSION                      |
|----------------|-----------|-----------------------|---------------------------|-----------------------------------|
| S = RT/10      | D = DODGE | 27 = 2-DR CONVERTIBLE | EWB = 8.0L V10 SFI Engine | DEC = 6-Speed Manual Transmission |
| S = GTS Coupe  |           | 29 = SPECIALTY COUPE  |                           | DBB = All Manual Transmissions    |
| X = GTS/Lemans |           |                       |                           |                                   |

AR = use ase required - = Non illustrated part

# Group - 14

## Fuel



|   |  |   |   |
|---|--|---|---|
| <p><b>014-100</b><br/>Tank, Fuel</p>   | <p><b>014-1100</b><br/>Accelerator Pedal</p>          | <p><b>014-200</b><br/>Fuel Tank Filler Tube</p>  | <p><b>014-300</b><br/>Fuel Lines</p>         |
| <p><b>014-400</b><br/>Fuel Rail</p>    | <p><b>014-500</b><br/>Fuel Pump and Sending Unit</p>  | <p><b>014-600</b><br/>Throttle Body</p>          | <p><b>014-700</b><br/>Throttle Controls</p>  |
| <p><b>014-800</b><br/>Air Cleaner</p>  |  |   |   |

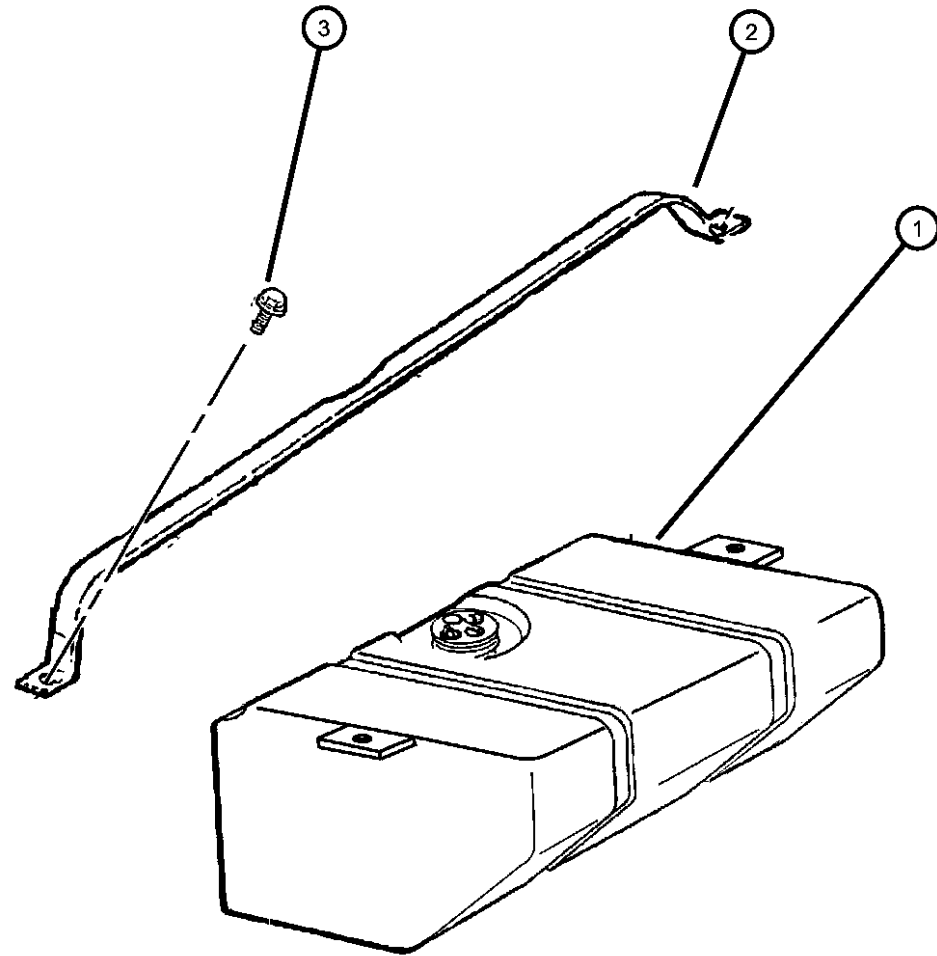
---

**Group - 14 Fuel**

| Illustration Title                | Group-Fig. No. |
|-----------------------------------|----------------|
| <b>Tank, Fuel</b>                 |                |
| Fuel Tank .....                   | Fig. 14 - 110  |
| <b>Fuel Tank Filler Tube</b>      |                |
| Fuel Filler Tube .....            | Fig. 14 - 210  |
| <b>Fuel Lines</b>                 |                |
| Fuel Lines And Filter .....       | Fig. 14 - 310  |
| <b>Fuel Rail</b>                  |                |
| Fuel Supply Tube .....            | Fig. 14 - 410  |
| <b>Fuel Pump and Sending Unit</b> |                |
| Fuel Module .....                 | Fig. 14 - 510  |
| <b>Throttle Body</b>              |                |
| Throttle Body .....               | Fig. 14 - 610  |
| <b>Throttle Controls</b>          |                |
| Throttle Controls .....           | Fig. 14 - 710  |
| <b>Air Cleaner</b>                |                |
| Air Cleaner .....                 | Fig. 14 - 810  |
| <b>Accelerator Pedal</b>          |                |
| Accelerator Pedal .....           | Fig. 14 - 1110 |

Fuel Tank  
Figure 14-110

| ITEM | PART NUMBER | QTY | LINE | SERIES | BODY | ENGINE | TRANS | TRIM | DESCRIPTION   |
|------|-------------|-----|------|--------|------|--------|-------|------|---|
| 1    | 04709500    | 1   |      |        |      |        |       |      | TANK, Fuel  |
| 2    | 04848282    | 1   |      |        |      |        |       |      | STRAP, Fuel Tank  |
| 3    | 04848282    | 1   |      |        |      |        |       |      | SCREW AND WASHER, Hex Head, M8x1.25x25, Locking, (NOT SERVICED) |

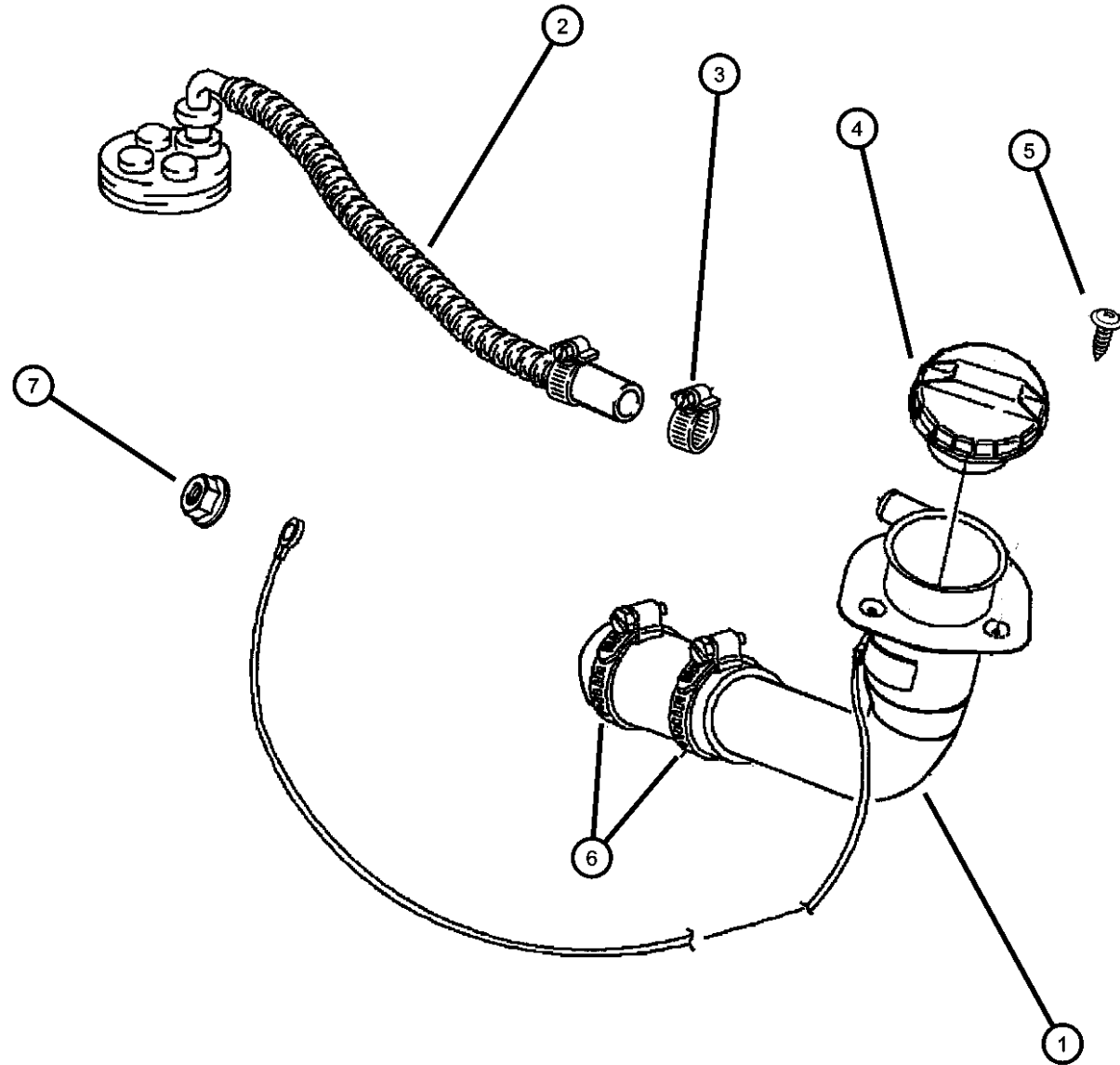


VIPER GTS COUPE,VIPER RT/10 ROADSTER (SR)

| SERIES         | LINE      | BODY                  | ENGINE                    | TRANSMISSION                      |
|----------------|-----------|-----------------------|---------------------------|-----------------------------------|
| S = RT/10      | D = DODGE | 27 = 2-DR CONVERTIBLE | EWB = 8.0L V10 SFI Engine | DEC = 6-Speed Manual Transmission |
| S = GTS Coupe  |           | 29 = SPECIALTY COUPE  |                           | DBB = All Manual Transmissions    |
| X = GTS/Lemans |           |                       |                           |                                   |

AR = use ase required - = Non illustrated part

Fuel Filler Tube  
Figure 14-210



| ITEM | PART NUMBER | QTY | LINE | SERIES | BODY | ENGINE | TRANS | TRIM | DESCRIPTION                                       |
|------|-------------|-----|------|--------|------|--------|-------|------|---|
| 1    |             |     |      |        |      |        |       |      | TUBE, Fuel Filler                                 |
|      | 04848760    | 1   |      |        | 27   |        |       |      |   |
|      | 04848811    | 1   |      |        | 29   |        |       |      |   |
| 2    |             |     |      |        |      |        |       |      | TUBE, Fuel Filler Vent                            |
|      | 04763002AB  | 1   |      |        | 29   |        |       |      |   |
|      | 04763008AB  | 1   |      |        | 27   |        |       |      |   |
| 3    | 06502089    | 1   |      |        |      |        |       |      | CLAMP, HOSE CLAMP, Vent Hose                      |
| 4    |             |     |      |        |      |        |       |      | CAP, Fuel Filler                                  |
|      | 04763684    | 1   |      |        | 29   |        |       |      | Monza Metal Base                                  |
|      | 04848132    | 1   |      |        |      |        |       |      | Fuel Filler Tube                                  |
| 5    | 04848132    | 1   |      |        |      |        |       |      | SCREW, Tapping, .19-16x.75,<br>(NOT SERVICED),    |
| 6    |             |     |      |        |      |        |       |      | CLAMP, Hose                                       |
|      | 06502090    | 2   |      |        | 29   |        |       |      |   |
|      |             | 2   |      |        | 27   |        |       |      |   |
| 7    |             | 2   |      |        |      |        |       |      | NUT, Hex Flange With Serration,<br>(NOT SERVICED) |
| -8   | 04763476    | 1   |      |        | 27   |        |       |      | SHIELD, Fuel Filler Door                          |

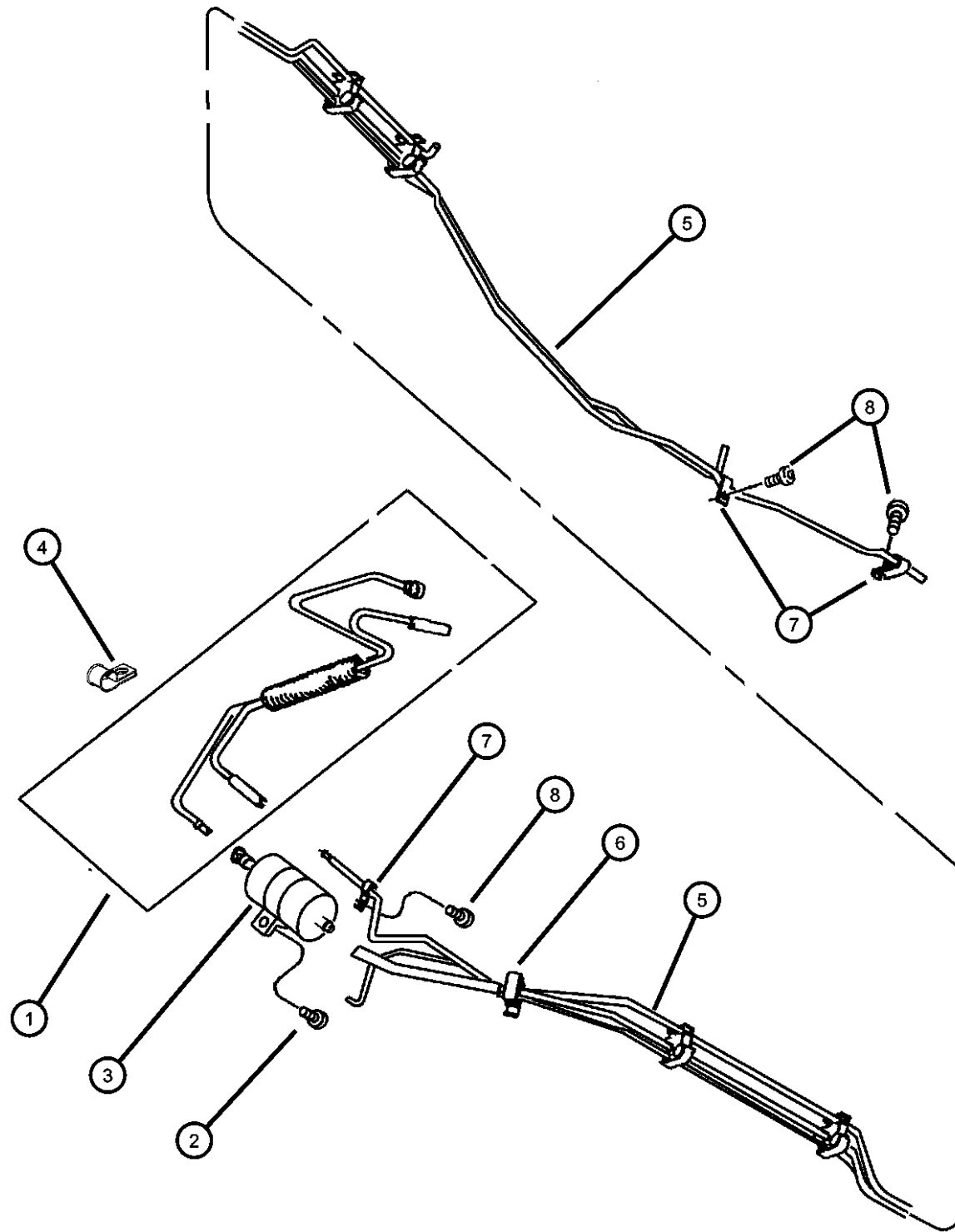
VIPER GTS COUPE,VIPER RT/10 ROADSTER (SR)

| SERIES         | LINE      | BODY                  | ENGINE                    | TRANSMISSION                      |
|----------------|-----------|-----------------------|---------------------------|-----------------------------------|
| S = RT/10      | D = DODGE | 27 = 2-DR CONVERTIBLE | EWB = 8.0L V10 SFI Engine | DEC = 6-Speed Manual Transmission |
| S = GTS Coupe  |           | 29 = SPECIALTY COUPE  |                           | DBB = All Manual Transmissions    |
| X = GTS/Lemans |           |                       |                           |                                   |

AR = use ase required - = Non illustrated part

1997 SR

Fuel Lines And Filter  
Figure 14-310



| ITEM | PART NUMBER | QTY | LINE | SERIES | BODY | ENGINE | TRANS | TRIM | DESCRIPTION                           |
|------|-------------|-----|------|--------|------|--------|-------|------|---------------------------------------|
| 1    | 04763006    | 1   |      |        |      |        |       |      | TUBE BUNDLE, Fuel Lines               |
| 2    | 04763006    | 1   |      |        |      |        |       |      | SCREW, M8x1.25x25, (NOT SERVICED)     |
| 3    | 04708317    | 1   |      |        |      |        |       |      | FILTER, Fuel                          |
| 4    | 03404625    | 1   |      |        |      |        |       |      | CLIP, Tube                            |
| 5    | 04764000    | 1   |      |        |      |        |       |      | TUBE, Fuel                            |
| 6    | 52017741    | 5   |      |        |      |        |       |      | CLIP, Fuel Bundle                     |
| 7    | 02207919    | 3   |      |        |      |        |       |      | CLIP, Parking Brake Cable, Fuel Line  |
| 8    | 06035135    | 3   |      |        |      |        |       |      | SCREW, Fuel Line Clip, (.250-14x.875) |

VIPER GTS COUPE,VIPER RT/10 ROADSTER (SR)

|                |           |                       |                           |                                   |
|----------------|-----------|-----------------------|---------------------------|-----------------------------------|
| SERIES         | LINE      | BODY                  | ENGINE                    | TRANSMISSION                      |
| S = RT/10      | D = DODGE | 27 = 2-DR CONVERTIBLE | EWB = 8.0L V10 SFI Engine | DEC = 6-Speed Manual Transmission |
| S = GTS Coupe  |           | 29 = SPECIALTY COUPE  |                           | DBB = All Manual Transmissions    |
| X = GTS/Lemans |           |                       |                           |                                   |

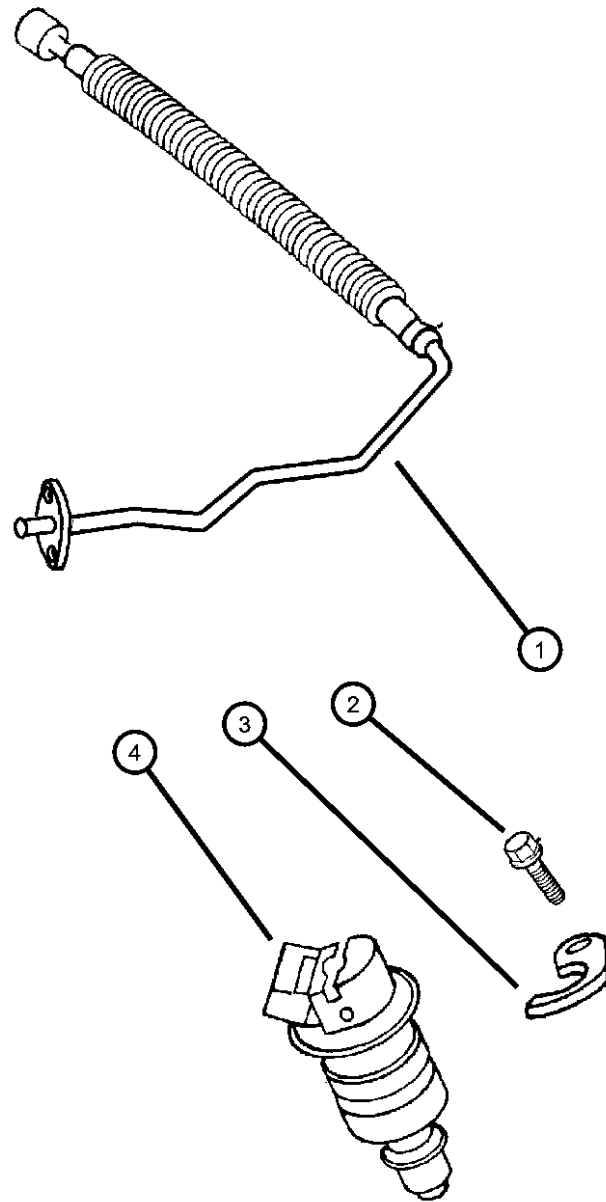
AR = use ase required - = Non illustrated part

1997 SR



Fuel Supply Tube  
Figure 14-410

| ITEM | PART NUMBER | QTY | LINE | SERIES | BODY | ENGINE | TRANS | TRIM | DESCRIPTION  |
|------|-------------|-----|------|--------|------|--------|-------|------|--|
| 1    | 05245792    | 1   |      |        |      | EWB    |       |      | RAIL, Fuel   |
| 2    | 06035666    | 10  |      |        |      | EWB    |       |      | SCREW, Hex Flange Head, .25-20x1.00, Injector Mounting |
| 3    | 05245807    | 9   |      |        |      | EWB    |       |      | RETAINER, Fuel Injector                                |
| 4    | 05245724    | 10  |      |        |      | EWB    |       |      | INJECTOR, Fuel, Fuel                                   |



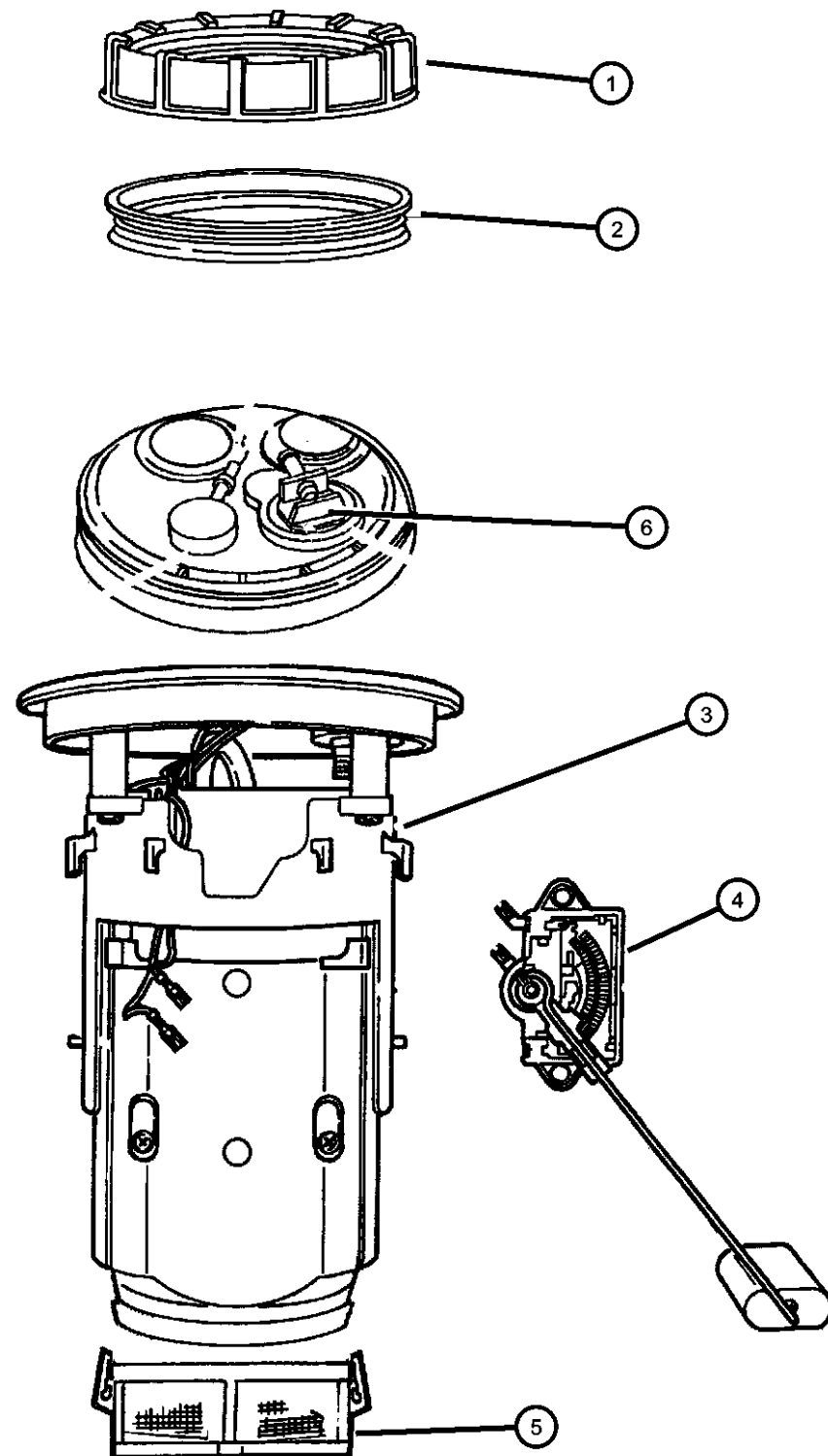
VIPER GTS COUPE,VIPER RT/10 ROADSTER (SR)

|                |           |                       |                           |                                   |
|----------------|-----------|-----------------------|---------------------------|-----------------------------------|
| SERIES         | LINE      | BODY                  | ENGINE                    | TRANSMISSION                      |
| S = RT/10      | D = DODGE | 27 = 2-DR CONVERTIBLE | EWB = 8.0L V10 SFI Engine | DEC = 6-Speed Manual Transmission |
| S = GTS Coupe  |           | 29 = SPECIALTY COUPE  |                           | DBB = All Manual Transmissions    |
| X = GTS/Lemans |           |                       |                           |                                   |

AR = use ase required - = Non illustrated part

1997 SR

**Fuel Module  
Figure 14-510**



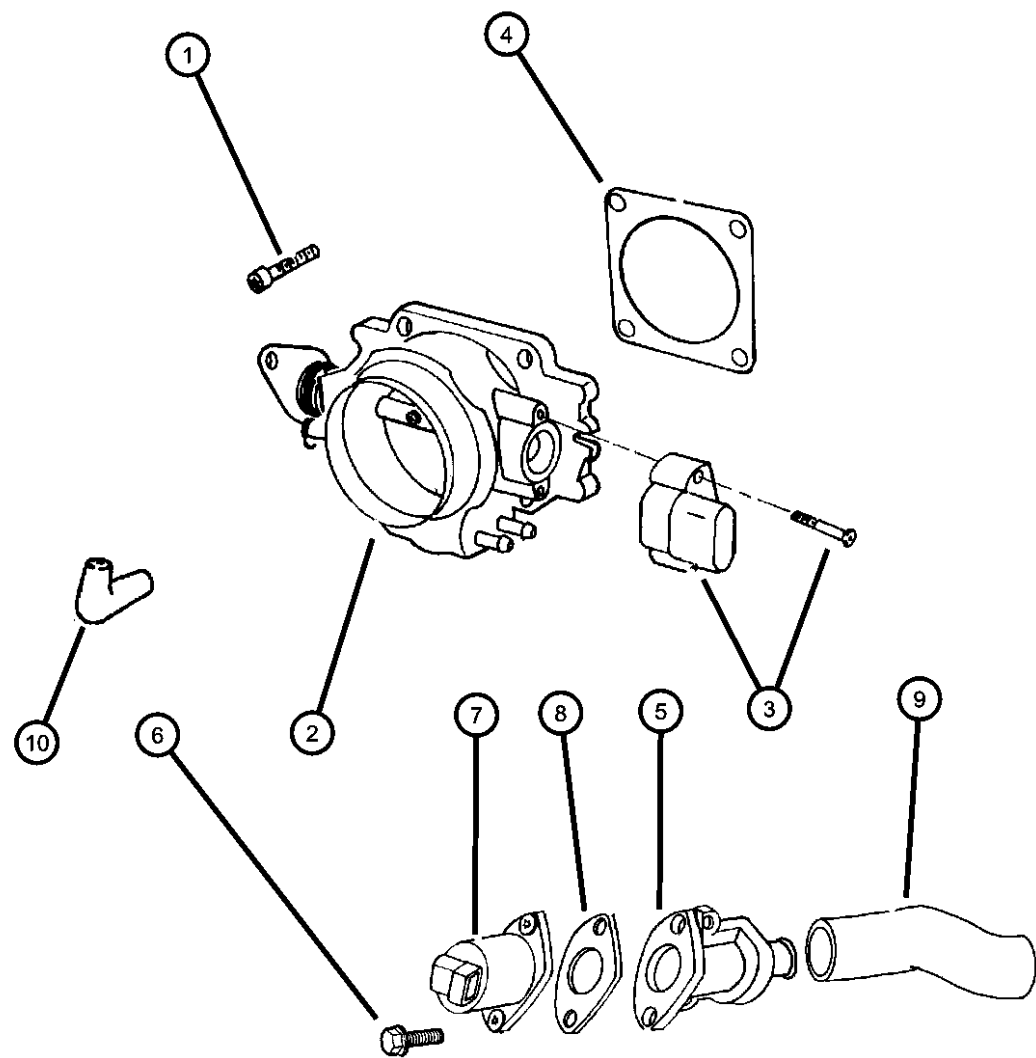
| ITEM | PART NUMBER | QTY | LINE | SERIES | BODY | ENGINE | TRANS | TRIM | DESCRIPTION                                 |
|------|-------------|-----|------|--------|------|--------|-------|------|---|
| 1    | 52005389    | 1   |      |        |      |        |       |      | NUT, Fuel Pump Module                       |
| 2    | 52018808    | 1   |      |        |      |        |       |      | SEAL, Fuel Pump and Level Unit, Fuel Module |
| 3    | 04897433AA  | 1   |      |        |      |        |       |      | MODULE KIT, Fuel Pump/Level Unit            |
| 4    | 04897434AA  | 1   |      |        |      |        |       |      | LEVEL UNIT KIT, Fuel                        |
| 5    | 04897498AA  | 1   |      |        |      |        |       |      | FILTER KIT, Fuel, Module                    |
| 6    | 04763826    | 1   |      |        |      |        |       |      | VALVE, Fuel Tank Rollover Safety, Rollover  |

**VIPER GTS COUPE,VIPER RT/10 ROADSTER (SR)**

| SERIES         | LINE      | BODY                  | ENGINE                    | TRANSMISSION                      |
|----------------|-----------|-----------------------|---------------------------|-----------------------------------|
| S = RT/10      | D = DODGE | 27 = 2-DR CONVERTIBLE | EWB = 8.0L V10 SFI Engine | DEC = 6-Speed Manual Transmission |
| S = GTS Coupe  |           | 29 = SPECIALTY COUPE  |                           | DBB = All Manual Transmissions    |
| X = GTS/Lemans |           |                       |                           |                                   |

AR = use ase required - = Non illustrated part

**Throttle Body  
Figure 14-610**



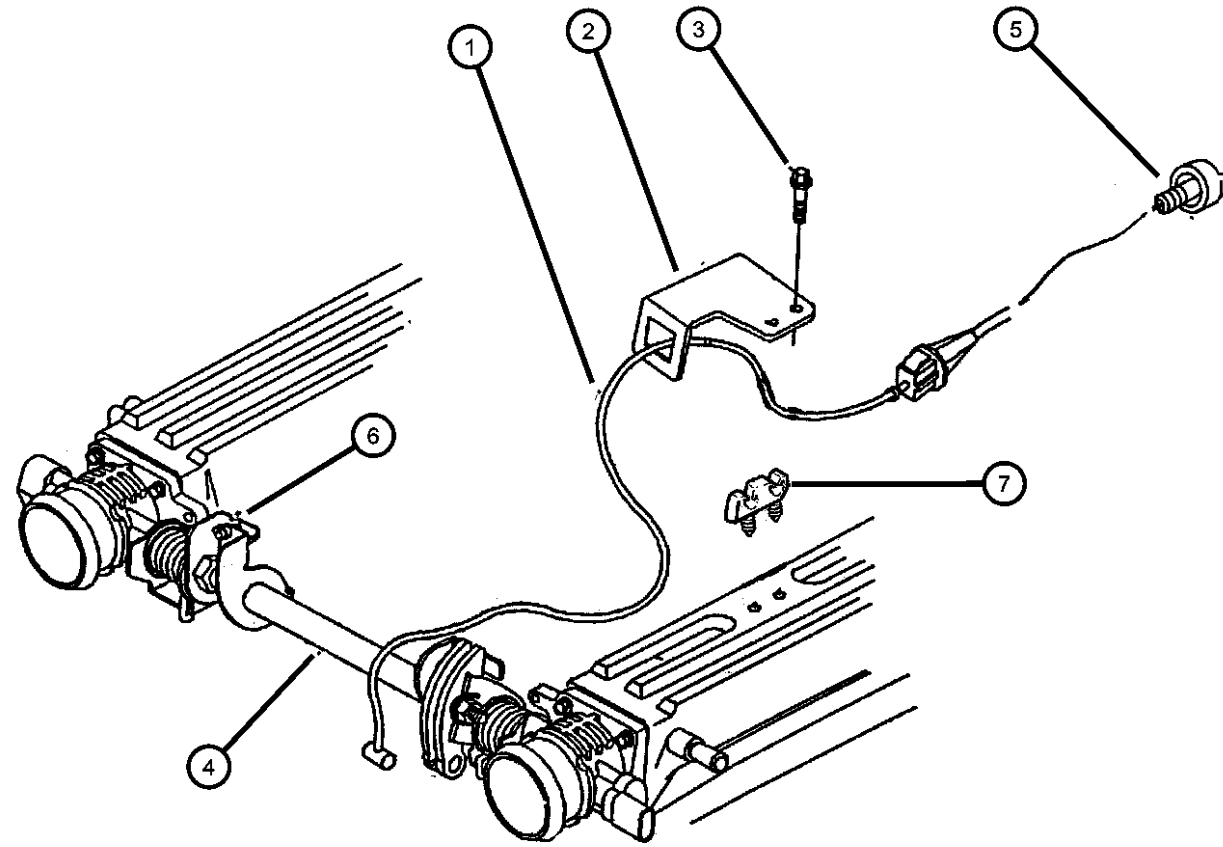
| ITEM | PART NUMBER | QTY | LINE | SERIES | BODY | ENGINE | TRANS | TRIM | DESCRIPTION  |
|------|-------------|-----|------|--------|------|--------|-------|------|--|
| 1    | 06035666    | 8   |      |        |      | EWB    |       |      | SCREW, Hex Flange Head, .25-20x1.00, Throttle Body   |
| 2    | 04763766    | 1   |      |        |      | EWB    |       |      | THROTTLE BODY<br>Right   |
|      | 04763763    | 1   |      |        |      | EWB    |       |      | Left   |
| 3    | 04863996    | 1   |      |        |      | EWB    |       |      | SENSOR PACKAGE, Throttle Position [HCD]  |
|      |             | 1   |      |        |      | EWB    |       |      | [HAA]  |
| 4    | 04848126    | 2   |      |        |      | EWB    |       |      | GASKET, Throttle Body To Intake  |
| 5    | 05245749    | 1   |      |        |      | EWB    |       |      | MOTOR AND BODY, IACV, AIS  |
| 6    | 06035666    | 1   |      |        |      | EWB    |       |      | SCREW, Hex Flange Head, .25-20x1.00, AIS   |
| 7    | 04778637    | 1   |      |        |      | EWB    |       |      | MOTOR KIT, A.I.S., AIS Motor Consists of: 1-Motor, AIS Stepping 2-Screw, AIS Motor 1-O-Ring, Throttle Body |
| 8    | 05245373    | 1   |      |        |      | EWB    |       |      | GASKET, A.I.S. Motor   |
| 9    | 04763805    | 1   |      |        |      | EWB    |       |      | HOSE, A.I.S. Supply  |
| 10   | 53009672    | 1   |      |        |      | EWB    |       |      | CONNECTOR, Emission Hose, Elbow, Map Sensor  |

**VIPER GTS COUPE,VIPER RT/10 ROADSTER (SR)**

| SERIES         | LINE      | BODY                  | ENGINE                    | TRANSMISSION                      |
|----------------|-----------|-----------------------|---------------------------|-----------------------------------|
| S = RT/10      | D = DODGE | 27 = 2-DR CONVERTIBLE | EWB = 8.0L V10 SFI Engine | DEC = 6-Speed Manual Transmission |
| S = GTS Coupe  |           | 29 = SPECIALTY COUPE  |                           | DBB = All Manual Transmissions    |
| X = GTS/Lemans |           |                       |                           |                                   |

AR = use ase required - = Non illustrated part

Throttle Controls  
Figure 14-710



| ITEM | PART NUMBER | QTY | LINE | SERIES | BODY | ENGINE | TRANS | TRIM | DESCRIPTION                         |
|------|-------------|-----|------|--------|------|--------|-------|------|-------------------------------------|
| 1    | 04763969    | 1   |      |        |      |        |       |      | CABLE, Accelerator                  |
| 2    | 04848836AB  | 1   |      |        |      |        |       |      | BRACKET, Accelerator Cable          |
| 3    | 06035666    | 2   |      |        |      | EWB    |       |      | SCREW, Hex Flange Head, .25-20x1.00 |
| 4    | 04763764    | 1   |      |        |      | EWB    |       |      | LINKAGE, Throttle Body              |
| 5    | 04287736    | 1   |      |        |      |        |       |      | RETAINER, Throttle Cable            |
| 6    | 04882274    | 1   |      |        |      | EWB    |       |      | SCREW, Adjusting, Linkage Adjusting |
| 7    | 04606041    | 1   |      |        |      | EWB    |       |      | CLIP, Stud, Accelerator Cable       |

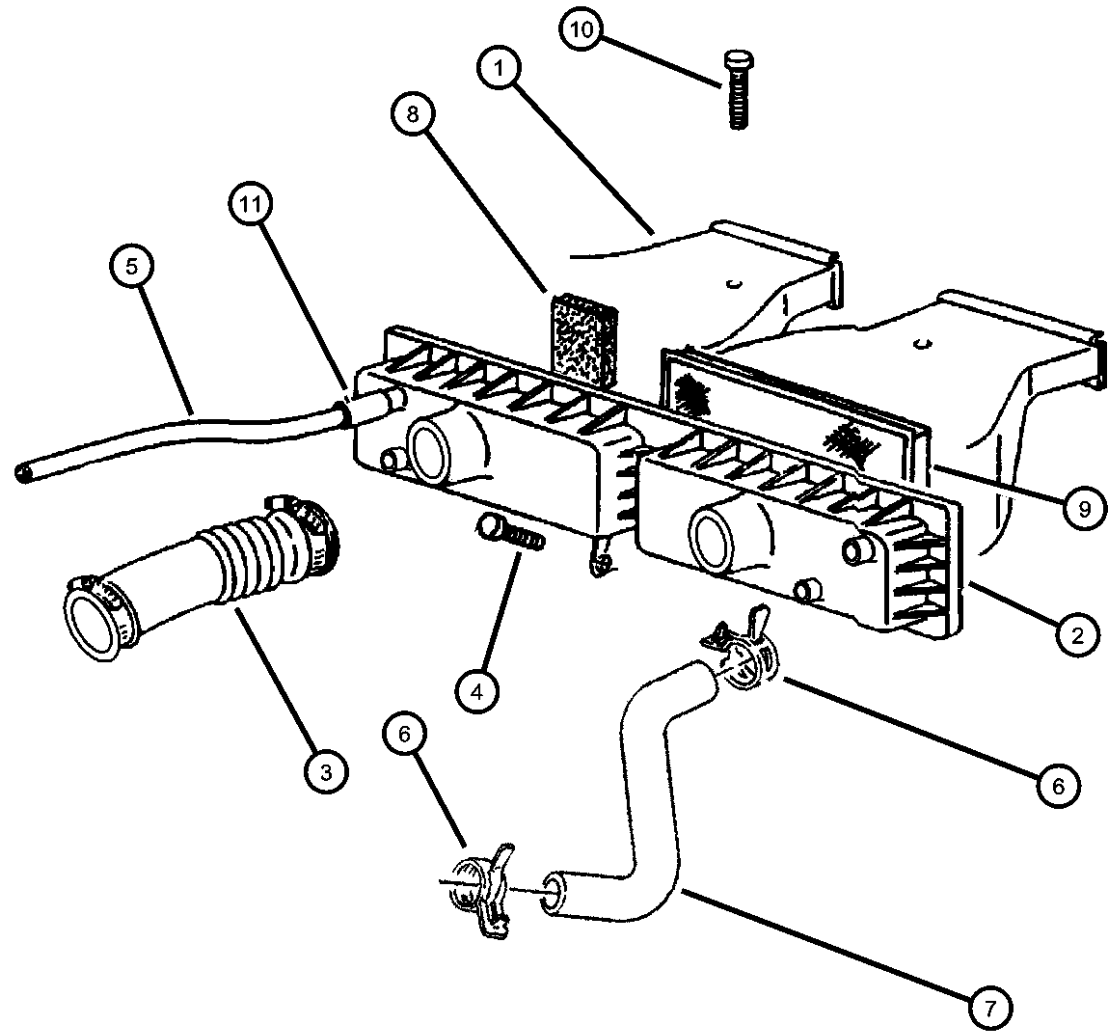
VIPER GTS COUPE,VIPER RT/10 ROADSTER (SR)

| SERIES         | LINE      | BODY                  | ENGINE                    | TRANSMISSION                      |
|----------------|-----------|-----------------------|---------------------------|-----------------------------------|
| S = RT/10      | D = DODGE | 27 = 2-DR CONVERTIBLE | EWB = 8.0L V10 SFI Engine | DEC = 6-Speed Manual Transmission |
| S = GTS Coupe  |           | 29 = SPECIALTY COUPE  |                           | DBB = All Manual Transmissions    |
| X = GTS/Lemans |           |                       |                           |                                   |

AR = use ase required - = Non illustrated part

1997 SR

**Air Cleaner  
Figure 14-810**



| ITEM | PART NUMBER | QTY | LINE | SERIES | BODY | ENGINE | TRANS | TRIM | DESCRIPTION  |
|------|-------------|-----|------|--------|------|--------|-------|------|--|
| 1    |             |     |      |        |      |        |       |      | HOUSING, Air Inlet   |
|      | 04848054    | 2   |      |        | 27   |        |       |      |  |
|      | 04848870AA  | 1   |      |        | 29   |        |       |      |  |
| 2    |             |     |      |        |      |        |       |      | HOUSING, Air Outlet  |
|      | 05245312    | 1   |      |        | 27   |        |       |      | Air Outlet   |
|      |             | 1   |      |        | 29   |        |       |      | Air Outlet   |
| 3    |             |     |      |        |      |        |       |      | TUBE, Air Cleaner to T/Body  |
|      | 05245778    | 2   |      |        | 27   |        |       |      | Air Cleaner to Throttle Body                                       |
|      |             | 2   |      |        | 29   |        |       |      | Air Cleaner to Throttle Body                                       |
| 4    |             |     |      |        |      |        |       |      | SCREW, Air Cleaner Cover   |
|      | 05245492    | 1   |      |        | 27   |        |       |      | Air Cleaner to Shroud  |
|      |             | 1   |      |        | 29   |        |       |      | Air Cleaner to Shroud  |
| 5    | 04848321AB  | 1   |      |        |      |        |       |      | TUBE, Crankcase Vent To Air Cleaner, Crankcase Vent to Air Cleaner |
| 6    | 06502018    | 2   |      |        |      |        |       |      | CLAMP, Hose, M28.9 x 1.60, AIS Hose                                |
| 7    | 04763805    | 1   |      |        |      |        |       |      | HOSE, A.I.S. Supply, Air Cleaner                                   |
| 8    |             |     |      |        |      |        |       |      | ELEMENT, Air Cleaner   |
|      | 05245266    | 1   |      |        | 27   |        |       |      | Crankcase Vent Filter  |
|      |             | 1   |      |        | 29   |        |       |      | Crankcase Vent Filter  |
| 9    |             |     |      |        |      |        |       |      | ELEMENT, Air Cleaner   |
|      | 05245265AB  | 2   |      |        | 29   |        |       |      | Air Cleaner Filter   |
|      |             | 2   |      |        | 27   |        |       |      | Air Cleaner Filter   |
| 10   | 04848313    | 2   |      |        | 29   |        |       |      | SCREW, Air Cleaner   |
| 11   | 05245455    | 1   |      |        |      |        |       |      | HOSE, Crankcase Vent, Crankcase Vent to Air Cleaner                |

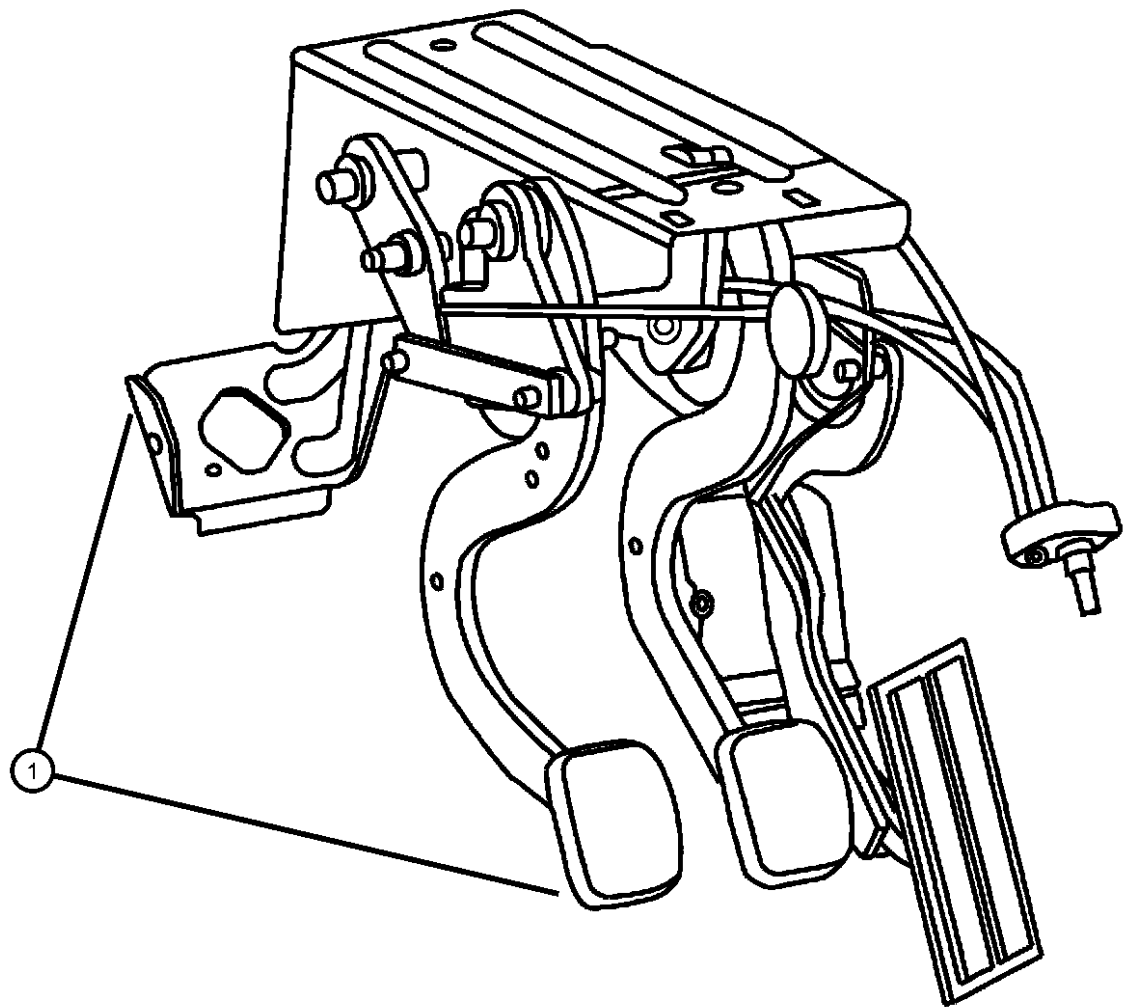
**VIPER GTS COUPE,VIPER RT/10 ROADSTER (SR)**

| SERIES         | LINE      | BODY                  | ENGINE                    | TRANSMISSION                      |
|----------------|-----------|-----------------------|---------------------------|-----------------------------------|
| S = RT/10      | D = DODGE | 27 = 2-DR CONVERTIBLE | EWB = 8.0L V10 SFI Engine | DEC = 6-Speed Manual Transmission |
| S = GTS Coupe  |           | 29 = SPECIALTY COUPE  |                           | DBB = All Manual Transmissions    |
| X = GTS/Lemans |           |                       |                           |                                   |

AR = use ase required - = Non illustrated part

Accelerator Pedal  
Figure 14-1110

| ITEM | PART NUMBER | QTY | LINE | SERIES | BODY | ENGINE | TRANS | TRIM | DESCRIPTION                           |
|------|-------------|-----|------|--------|------|--------|-------|------|---------------------------------------|
| 1    | 04763022AB  | 1   |      |        |      |        |       |      | PEDAL, Brake, Clutch, and Accelerator |
| -2   | 04201048    | 1   |      |        |      |        |       |      | SEAL, Accelerator Shaft Bracket       |
| -3   | 06100516    | 2   |      |        |      |        |       |      | NUT, Hex Flange Lock, M6 Phosphate    |



VIPER GTS COUPE,VIPER RT/10 ROADSTER (SR)

| SERIES         | LINE      | BODY                  | ENGINE                    | TRANSMISSION                      |
|----------------|-----------|-----------------------|---------------------------|-----------------------------------|
| S = RT/10      | D = DODGE | 27 = 2-DR CONVERTIBLE | EWB = 8.0L V10 SFI Engine | DEC = 6-Speed Manual Transmission |
| S = GTS Coupe  |           | 29 = SPECIALTY COUPE  |                           | DBB = All Manual Transmissions    |
| X = GTS/Lemans |           |                       |                           |                                   |

AR = use ase required - = Non illustrated part

1997 SR

# Group - 16

## Propeller Shafts and U-Joints

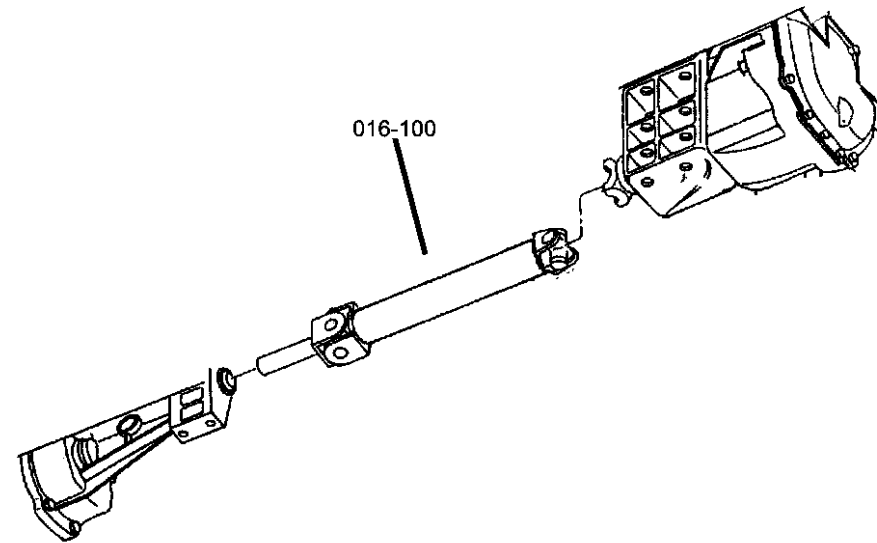
### Group - 16 Propeller Shafts and U-Joints

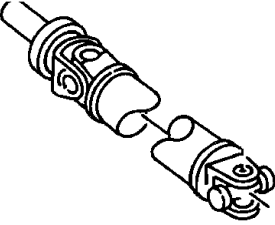
Group-Fig. No.

Illustration Title

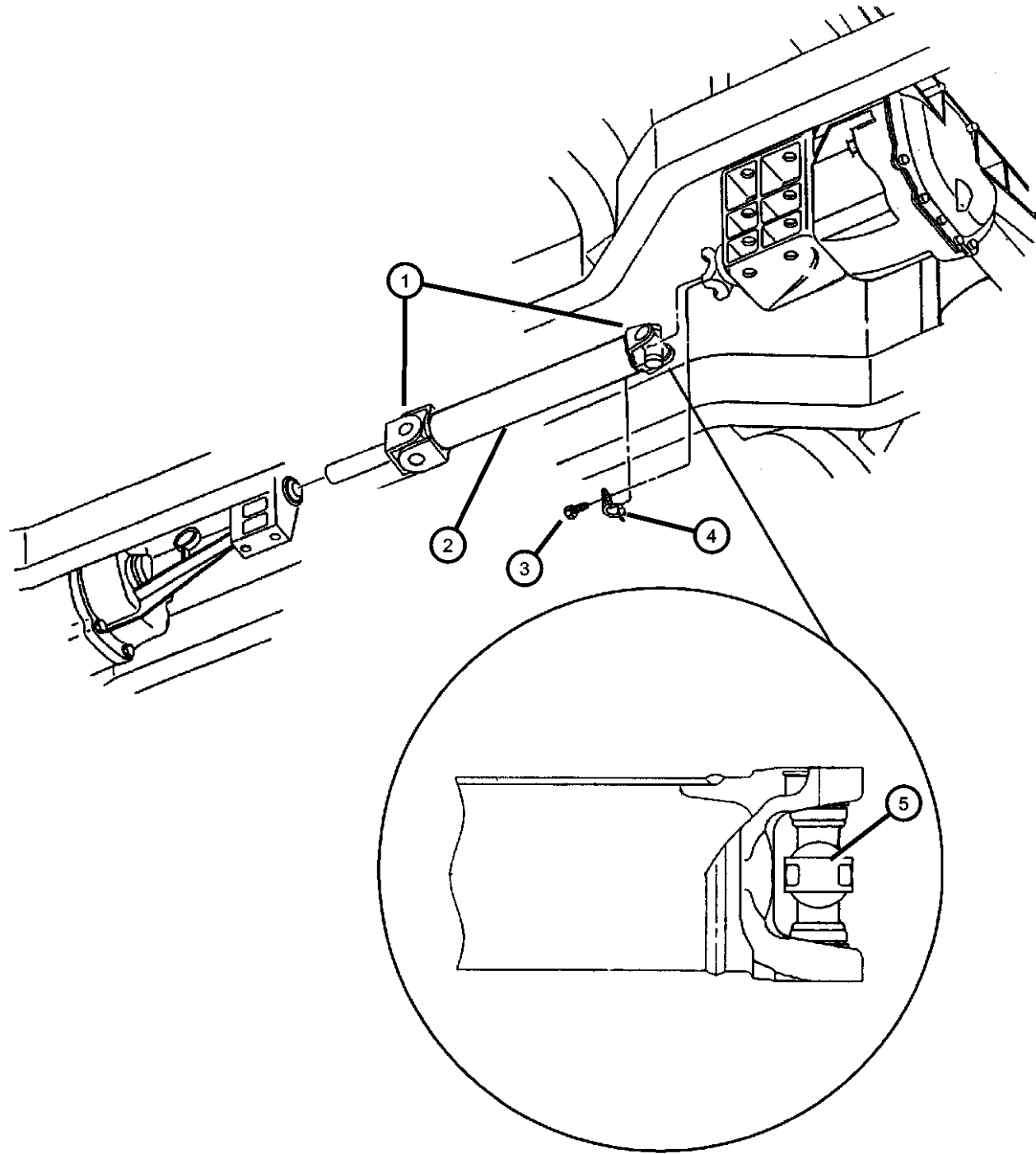
#### Propeller Shaft

Shaft, Propeller.....Fig. 16 - 110



|  |  |  |  |
|--|--|--|--|
| <p><b>016-100</b><br/>Propeller Shaft</p>  |  |  |  |
|--|--|--|--|

Shaft, Propeller  
Figure 16-110



| ITEM | PART NUMBER | QTY | LINE | SERIES | BODY | ENGINE | TRANS | TRIM | DESCRIPTION                                   |
|------|-------------|-----|------|--------|------|--------|-------|------|---|
| 1    | 04797307    | 2   |      |        |      |        |       |      | U JOINT                                       |
| 2    | 04642040    | 1   |      |        |      |        |       |      | SHAFT, Drive, Propeller                       |
| 3    | 06502581    | 12  |      |        |      |        |       |      | BOLT, Hex Flange Head, M8x1.0x19              |
| 4    | 04428723    | 6   |      |        |      |        |       |      | CLAMP, U-Joint                                |
| 5    | 04428723    | 6   |      |        |      |        |       |      | STRAP, Bearing (For Shipping, (NOT SERVICED)) |

VIPER GTS COUPE,VIPER RT/10 ROADSTER (SR)

| SERIES         | LINE      | BODY                  | ENGINE                    | TRANSMISSION                      |
|----------------|-----------|-----------------------|---------------------------|-----------------------------------|
| S = RT/10      | D = DODGE | 27 = 2-DR CONVERTIBLE | EWB = 8.0L V10 SFI Engine | DEC = 6-Speed Manual Transmission |
| S = GTS Coupe  |           | 29 = SPECIALTY COUPE  |                           | DBB = All Manual Transmissions    |
| X = GTS/Lemans |           |                       |                           |                                   |

AR = use ase required - = Non illustrated part



# Group - 17

## Rear Suspension

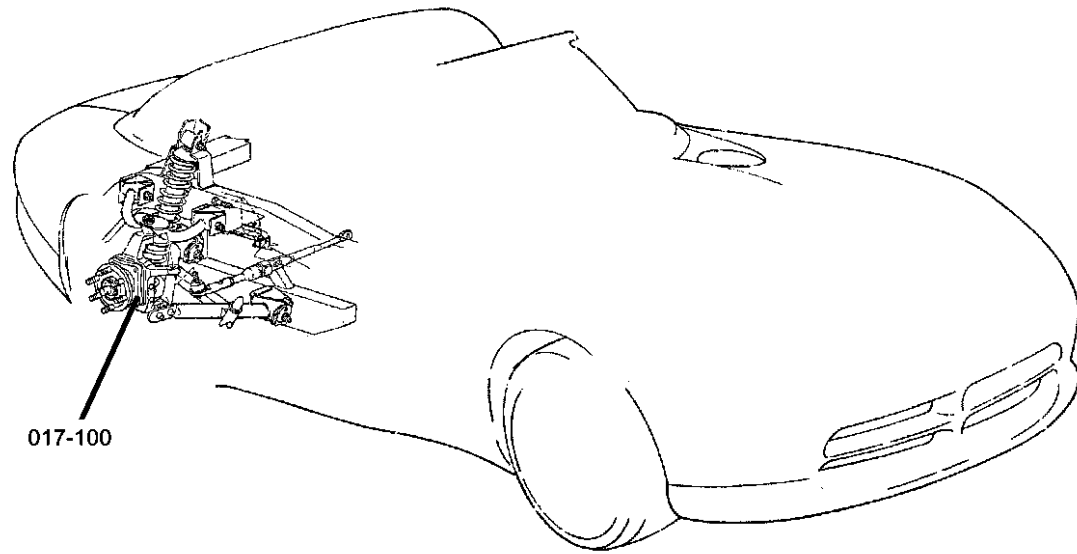
### Group - 17 Rear Suspension

Group-Fig. No.

Illustration Title

#### Rear Suspension

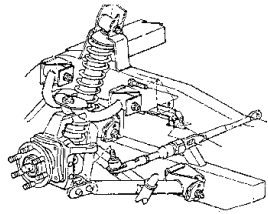
Suspension, Rear .....Fig. 17 - 120



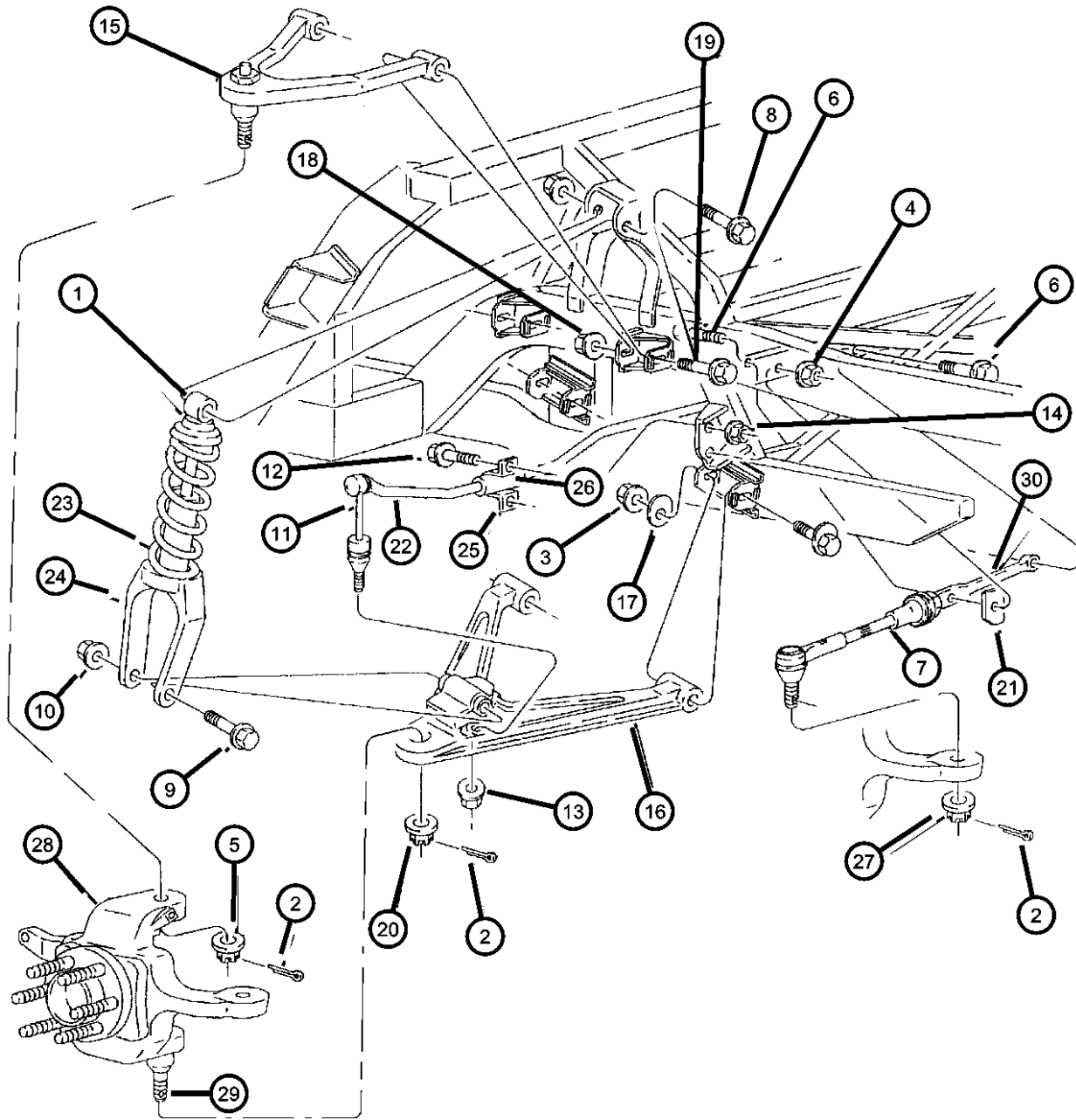
017-100

017-100

Rear Suspension



Suspension, Rear  
Figure 17-120



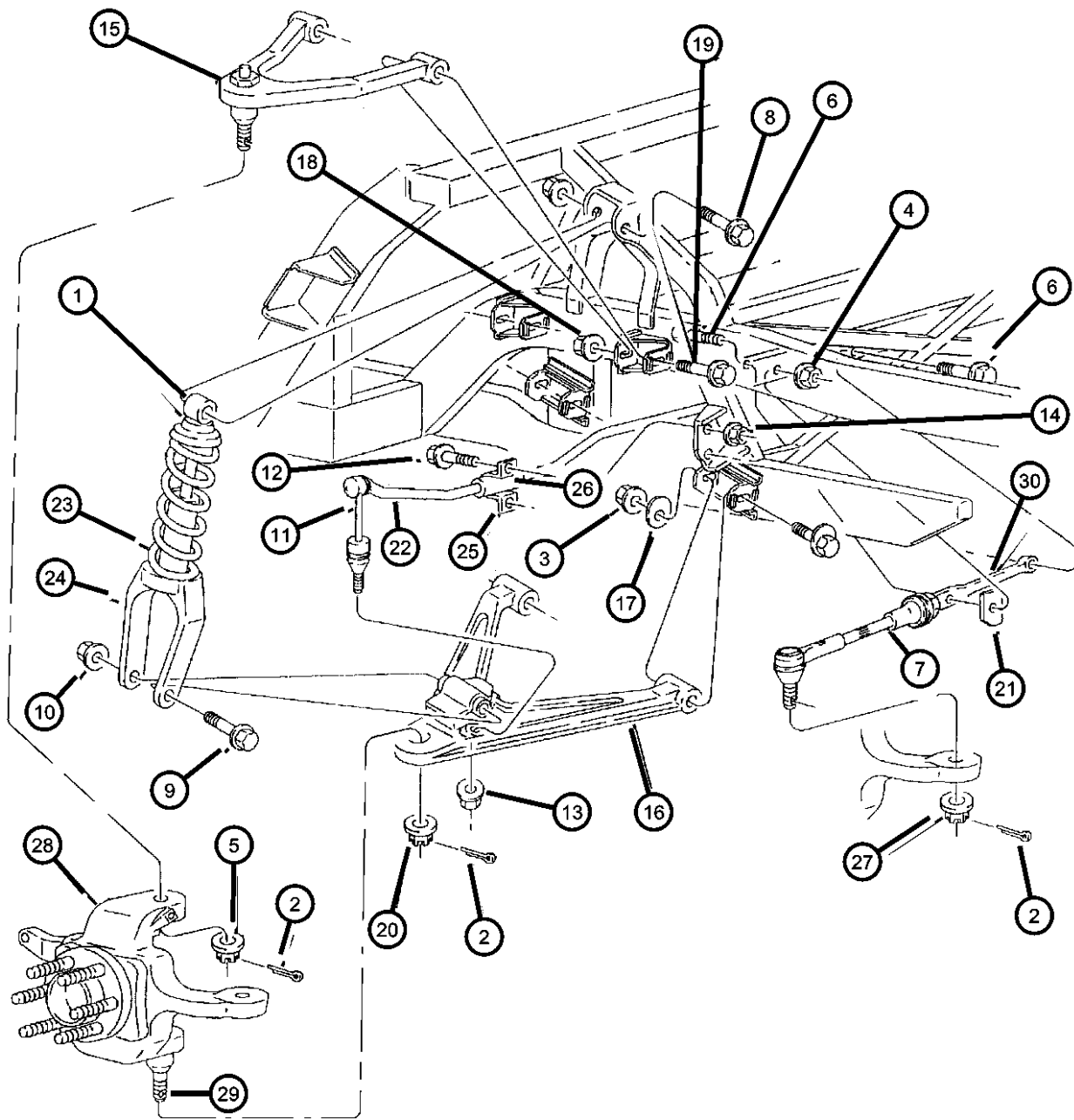
| ITEM | PART NUMBER | QTY | LINE | SERIES | BODY | ENGINE | TRANS | TRIM | DESCRIPTION                                    |
|------|-------------|-----|------|--------|------|--------|-------|------|--|
| 1    | 04848508    | 2   |      |        |      |        |       |      | SHOCK ABSORBER, Suspension, Rear               |
| 2    | 00120123    | 2   |      |        |      |        |       |      | PIN, Cotter, .125X1.25                         |
| 3    | 00152349    | 4   |      |        |      |        |       |      | NUT, Hex, .50-20                               |
| 4    | 06502337    | 2   |      |        |      |        |       |      | NUT, M10x1.5                                   |
| 5    | 06035641    | 2   |      |        |      |        |       |      | NUT, Hex, .625-18                              |
| 6    | 06101063    | 4   |      |        |      |        |       |      | SCREW AND WASHER, M10x1.5x45                   |
| 7    | 04763159    | 2   |      |        |      |        |       |      | LINK, Trailing Rear Suspension, with Boot      |
| 8    | 06100969    | 2   |      |        |      |        |       |      | BOLT, Hex Flange Head, M14x2.00x90             |
| 9    | 06504189    | 2   |      |        |      |        |       |      | SCREW, M14x2.00x127.00                         |
| 10   | 06502698    | 2   |      |        |      |        |       |      | NUT, M14x2.0                                   |
| 11   | 04709289    | 2   |      |        |      |        |       |      | LINK, Rear Suspension Assist                   |
| 12   | 04709289    | 2   |      |        |      |        |       |      | SCREW, W/Washer M10x1.50x30.00, (NOT SERVICED) |
| 13   | 06502556    | 2   |      |        |      |        |       |      | NUT, Hex, M10-1.5                              |
| 14   | 06100219    | 2   |      |        | 29   |        |       |      | NUT, Hex Jam, M10x1.5                          |
| 15   | 04709320    | 2   |      |        |      |        |       |      | ARM, ControlUpper                              |
| 16   |             |     |      |        |      |        |       |      | ARM, Control Lower, Right                      |
|      | 04709324    | 1   |      |        |      |        |       |      | Lower, Right                                   |
|      | 04709325    | 1   |      |        |      |        |       |      | Lower, Left                                    |
| 17   | 02269232    | 4   |      |        |      |        |       |      | CAM, Front Suspension Control Arm              |
| 18   | 06502585    | 4   |      |        |      |        |       |      | NUT, Engine Mounting, M12 x 1.75               |
| 19   | 06502585    | 4   |      |        |      |        |       |      | SCREW, W/Washer M12x1.75x95.00, (NOT SERVICED) |
| 20   | 06100219    | 2   |      |        | 29   |        |       |      | NUT, Hex Jam, M10x1.5                          |
| 21   |             |     |      |        |      |        |       |      | SHIM, Tow Link To Frame (NOM)                  |
|      | 04643912    | AR  |      |        |      |        |       |      | (2U)   |
|      | 04643913    | AR  |      |        |      |        |       |      | (4U)   |
|      | 04643914    | AR  |      |        |      |        |       |      | (6U)   |
|      | 04643915    | AR  |      |        |      |        |       |      | (2D)   |
|      | 04643985    | AR  |      |        |      |        |       |      | (4D)   |
|      | 04643986    | AR  |      |        |      |        |       |      | (6D)   |
|      | 04643987    | AR  |      |        |      |        |       |      |  |
| 22   | 04848646    | 1   |      |        |      |        |       |      | BAR, Rear Sway                                 |

VIPER GTS COUPE,VIPER RT/10 ROADSTER (SR)

|                |           |                       |                           |                                   |
|----------------|-----------|-----------------------|---------------------------|-----------------------------------|
| SERIES         | LINE      | BODY                  | ENGINE                    | TRANSMISSION                      |
| S = RT/10      | D = DODGE | 27 = 2-DR CONVERTIBLE | EWB = 8.0L V10 SFI Engine | DEC = 6-Speed Manual Transmission |
| S = GTS Coupe  |           | 29 = SPECIALTY COUPE  |                           | DBB = All Manual Transmissions    |
| X = GTS/Lemans |           |                       |                           |                                   |

AR = use ase required - = Non illustrated part

Suspension, Rear  
Figure 17-120



| ITEM | PART NUMBER | QTY | LINE | SERIES | BODY | ENGINE | TRANS | TRIM | DESCRIPTION                      |
|------|-------------|-----|------|--------|------|--------|-------|------|----------------------------------|
| 23   | 04873203    | 1   |      |        | 29   |        |       |      | SPRING, Rear Coil                |
| 24   | 04709316    | 2   |      |        |      |        |       |      | BRACKET, Suspension, Rear Shock  |
| 25   | 04404219    | 2   |      |        |      |        |       |      | RETAINER, Stabilizer Bar Grommet |
| 26   | 04643031    | 2   |      |        |      |        |       |      | BUSHING, Stabilizer Bar          |
| 27   | 06035643    | 2   |      |        |      |        |       |      | NUT, .562-18                     |
| 28   |             |     |      |        |      |        |       |      | KNUCKLE, Rear                    |
|      | 04709281    | 1   |      |        |      |        |       |      | Left                             |
|      | 04709282    | 1   |      |        |      |        |       |      | Right                            |
| 29   | 04848174AB  | 4   |      |        |      |        |       |      | BALL JOINT, Lower Control Arm    |
| 30   | 04709309    | 2   |      |        |      |        |       |      | ROD, Toe Link                    |
| -31  | 05012650AA  | 2   |      |        |      |        |       |      | BUSHING, Shock Absorber          |

VIPER GTS COUPE,VIPER RT/10 ROADSTER (SR)

| SERIES         | LINE      | BODY                  | ENGINE                    | TRANSMISSION                      |
|----------------|-----------|-----------------------|---------------------------|-----------------------------------|
| S = RT/10      | D = DODGE | 27 = 2-DR CONVERTIBLE | EWB = 8.0L V10 SFI Engine | DEC = 6-Speed Manual Transmission |
| S = GTS Coupe  |           | 29 = SPECIALTY COUPE  |                           | DBB = All Manual Transmissions    |
| X = GTS/Lemans |           |                       |                           |                                   |

AR = use ase required - = Non illustrated part

# Group - 19

## Steering

### Group - 19 Steering

Group-Fig. No.

Illustration Title

#### Steering Wheel

Wheel, Steering .....Fig. 19 - 120

#### Steering Column

Column Assembly And Mounting .....Fig. 19 - 230

#### Steering Gear

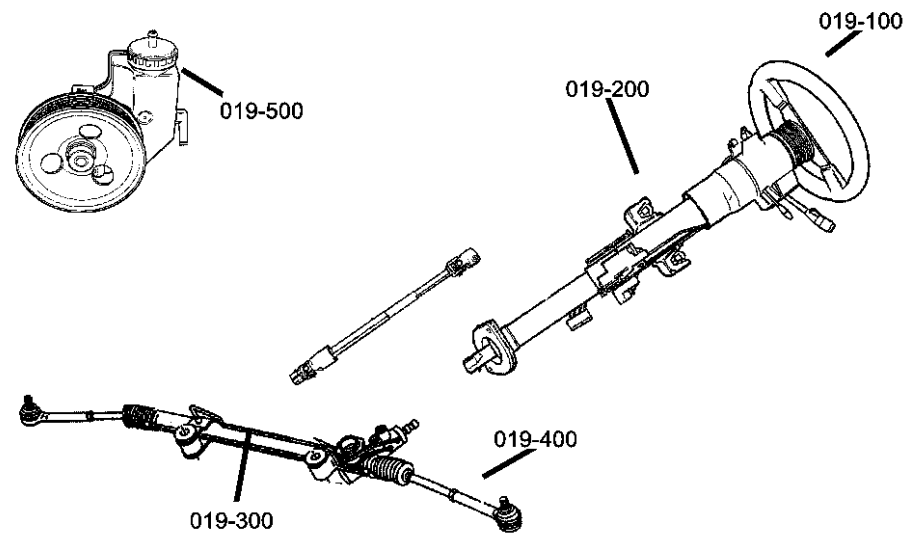
Gear, Rack & Pinion Power And Attaching Parts .....Fig. 19 - 310

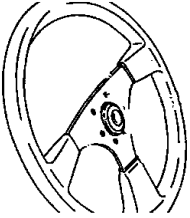
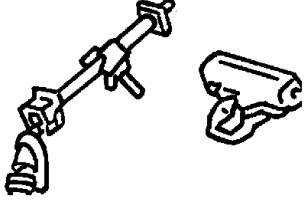
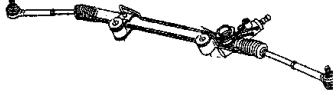

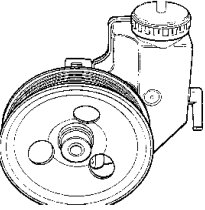
#### Steering Linkage

Tie Rod Ends .....Fig. 19 - 410

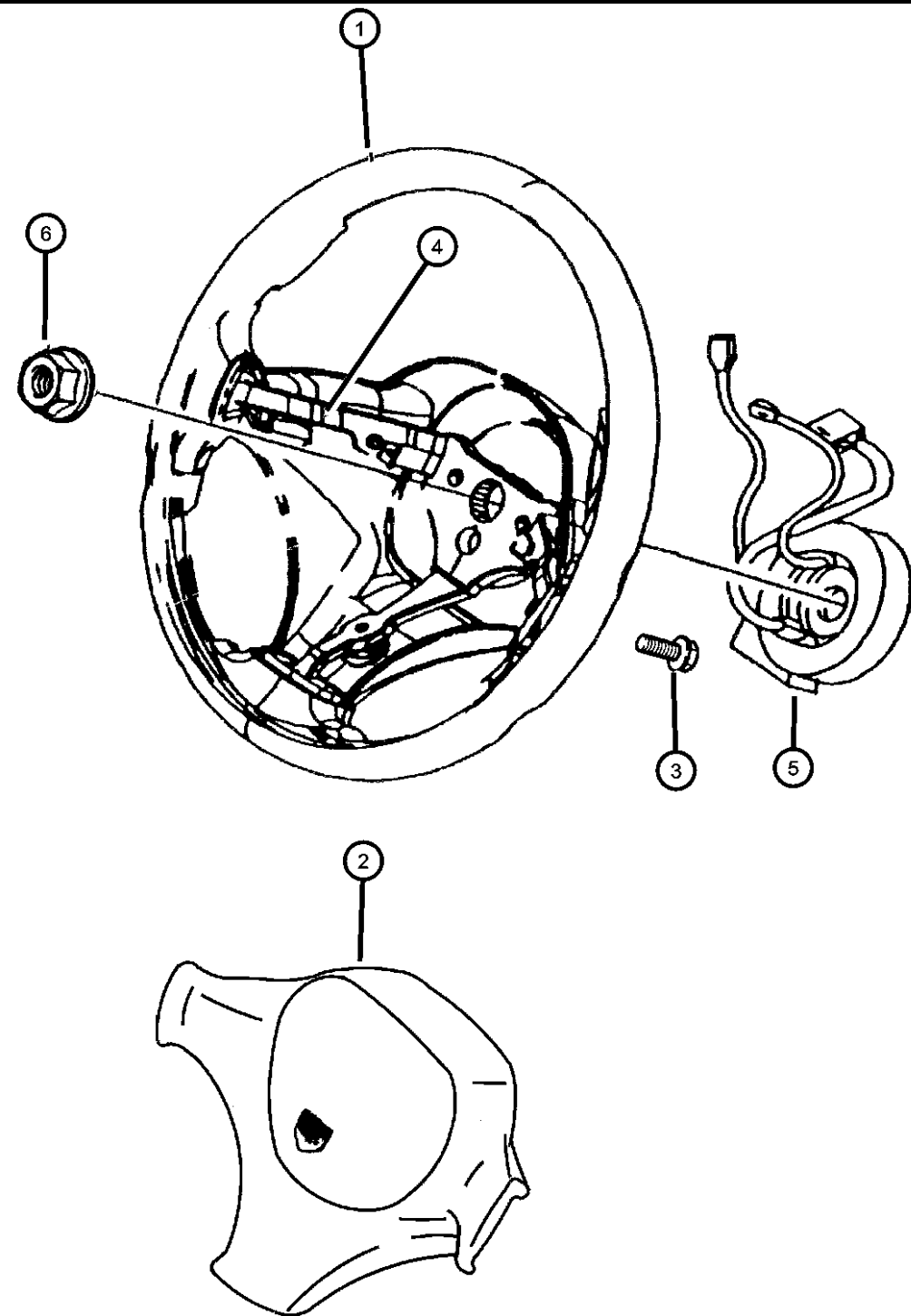
#### Power Steering Pump

Pump And Hoses, Power Steering .....Fig. 19 - 510



|   |   |  |  |
|---|---|--|--|
| <p><b>019-100</b><br/>Steering Wheel</p>       | <p><b>019-200</b><br/>Steering Column</p>  | <p><b>019-300</b><br/>Steering Gear</p>  | <p><b>019-400</b><br/>Steering Linkage</p>  |
| <p><b>019-500</b><br/>Power Steering Pump</p>  |   |  |  |

Wheel, Steering  
Figure 19-120



| ITEM | PART NUMBER | QTY | LINE | SERIES | BODY | ENGINE | TRANS | TRIM | DESCRIPTION  |
|------|-------------|-----|------|--------|------|--------|-------|------|--|
| 1    | 0PB41SX9    | 1   |      |        |      |        |       |      | WHEEL, Steering<br>Flat Black                          |
|      | 0PB41TR1    | 1   |      |        |      |        |       |      | Red  |
|      | 0PB41TB4    | 1   |      |        |      |        |       |      | Bright blue  |
| 2    | 0LB45JX8    | 1   |      |        |      |        |       |      | AIR BAG, Driver, Air Bag                               |
| 3    | 06503771    | 3   |      |        |      |        |       |      | SCREW, Hex Flange Head,<br>M6x1x23                     |
| 4    | 06503771    | 3   |      |        |      |        |       |      | SWITCH, Horn, (Serviced with<br>Wheel), (NOT SERVICED) |
| 5    | 04848437    | 1   |      |        |      |        |       |      | CLOCKSPRING  |
| 6    | 06500906    | 1   |      |        |      |        |       |      | NUT, Hex Flange Lock, M14x1.5                          |

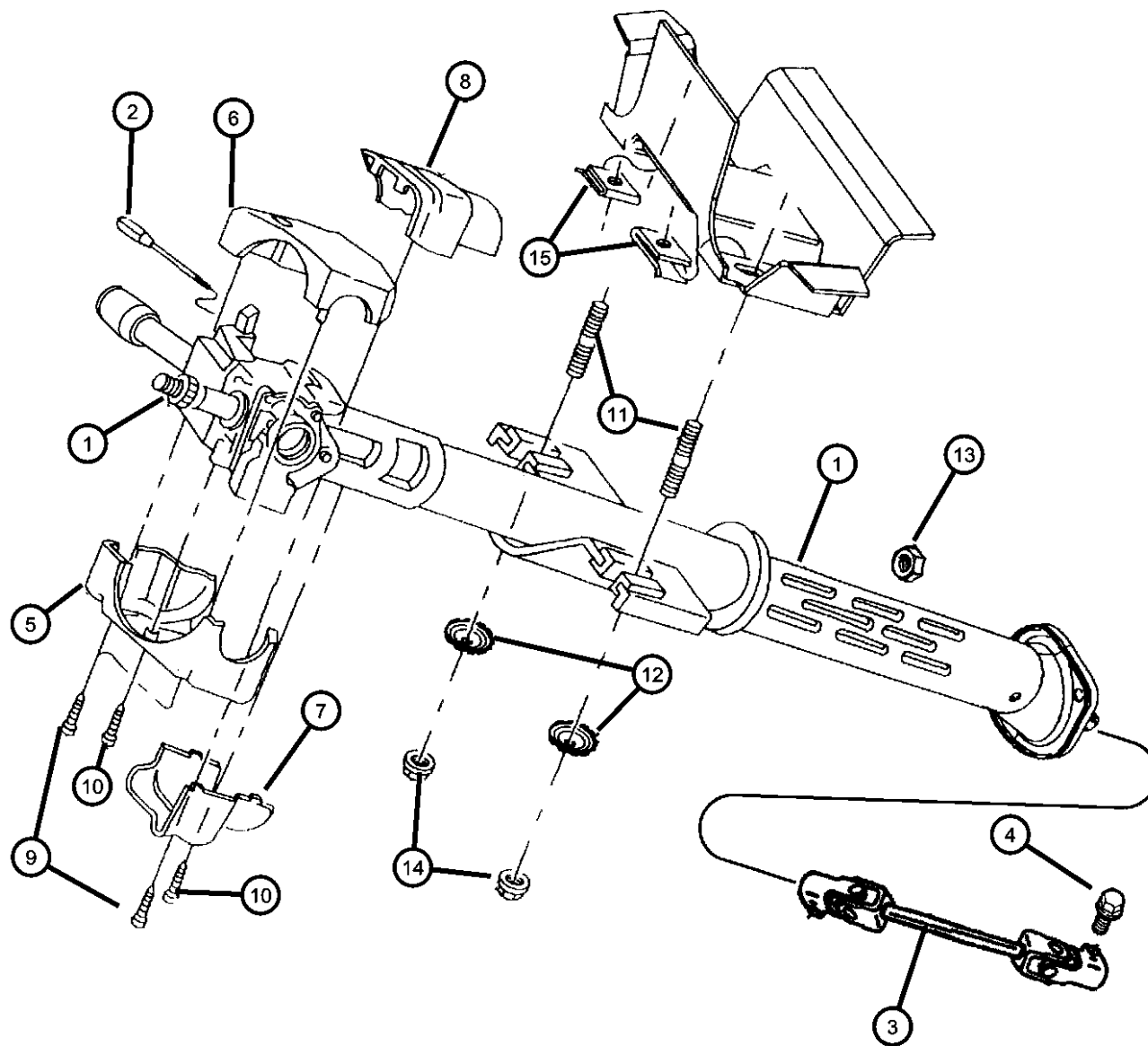
VIPER GTS COUPE,VIPER RT/10 ROADSTER (SR)

| SERIES         | LINE      | BODY                  | ENGINE                    | TRANSMISSION                      |
|----------------|-----------|-----------------------|---------------------------|-----------------------------------|
| S = RT/10      | D = DODGE | 27 = 2-DR CONVERTIBLE | EWB = 8.0L V10 SFI Engine | DEC = 6-Speed Manual Transmission |
| S = GTS Coupe  |           | 29 = SPECIALTY COUPE  |                           | DBB = All Manual Transmissions    |
| X = GTS/Lemans |           |                       |                           |                                   |

AR = use ase required - = Non illustrated part

1997 SR

**Column Assembly And Mounting  
Figure 19-230**



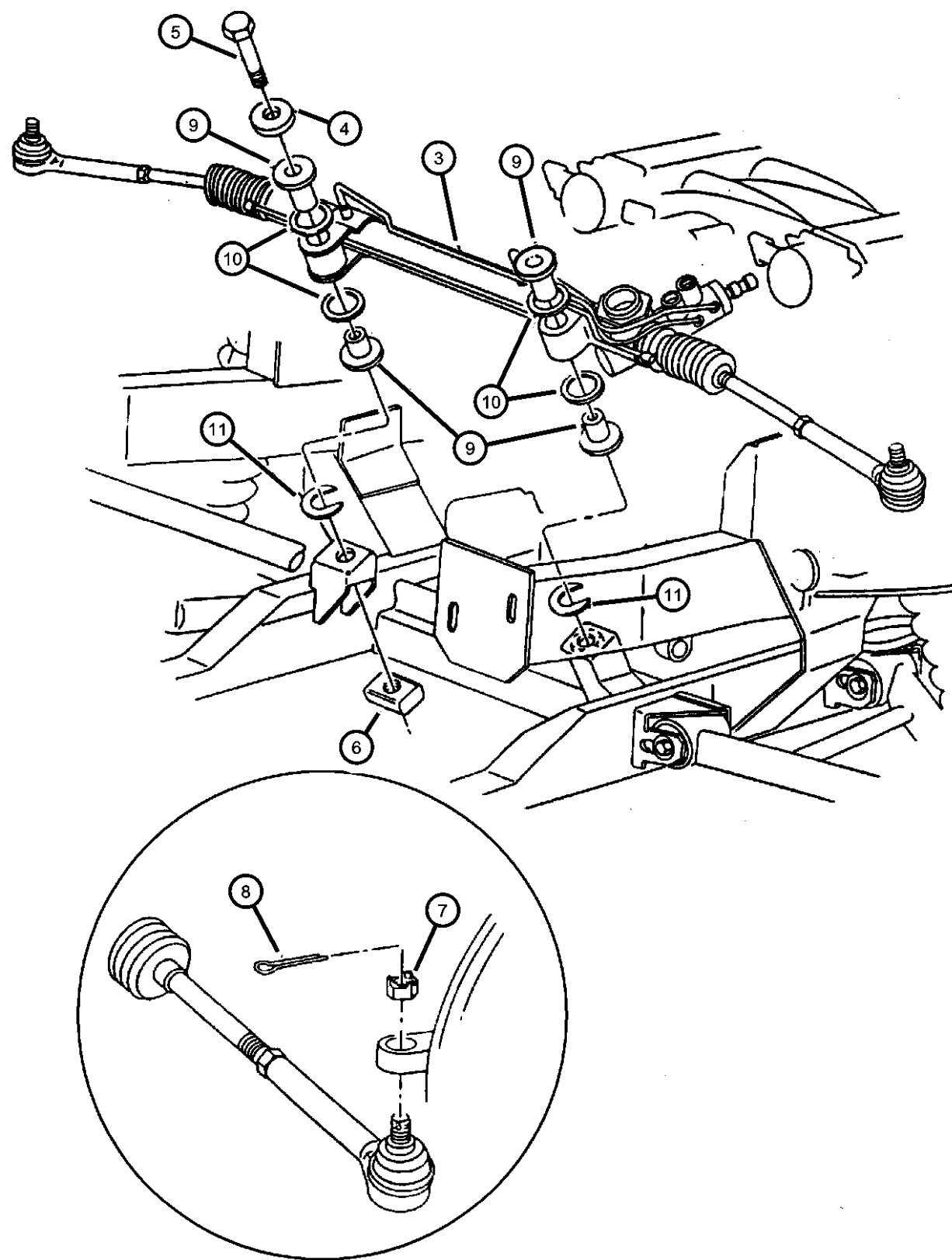
| ITEM | PART NUMBER | QTY | LINE | SERIES | BODY | ENGINE | TRANS | TRIM | DESCRIPTION   |
|------|-------------|-----|------|--------|------|--------|-------|------|---|
| 1    | 04874334    | 1   |      |        |      |        |       |      | COLUMN, Steering, Tilt, w/o Switchs                                 |
| 2    | 52079221    | 1   |      |        |      |        |       |      | LEVER, Tilt Column Release  |
| 3    | 04763861    | 1   |      |        |      |        |       |      | SHAFT, Steering Column, Intermediate Gear To Column                 |
| 4    | 06503210    | 2   |      |        |      |        |       |      | SCREW, Hex Flange Head, M10x1.5x35.                                 |
| 5    | 5DW57PX8    | 1   |      |        |      |        |       |      | SHROUD, Steering Column, (Paint as Require), Lower                  |
| 6    | 0DH69JX8    | 1   | D    |        |      |        |       |      | SHROUD, Lock Housing, (Paint as Require), Upper                     |
| 7    | 0BA67KX8    | 1   |      |        |      |        |       |      | SHROUD, Steering Column, Fixed (Paint as Required), Lower           |
| 8    | 0BA65KX8    | 1   |      |        |      |        |       |      | SHROUD, Steering Column, Fixed (Paint as Required), Upper           |
| 9    | 04470105    | 2   |      |        |      |        |       |      | SCREW, Filister Head, #8-16x.25                                     |
| 10   | 04470105    | 2   |      |        |      |        |       |      | SCREW, (NOT SERVICED)   |
| 11   | 06502390    | 2   |      |        |      |        |       |      | STUD, M6x1.00x43.80   |
| 12   | 06502390    | 2   |      |        |      |        |       |      | WASHER, (NOT SERVICED)  |
| 13   | 06100517    | 2   |      |        |      |        |       |      | NUT, Hex Flange Lock, M8 Phosphate, Steering Column to Toe Box Atch |
| 14   | 06501730    | 2   |      |        |      |        |       |      | NUT, Retainer, M6 x 1.00  |
| 15   | 06101308    | 2   |      |        |      |        |       |      | NUT, U, M6x1  |
| -16  | 56021346    | 1   |      |        |      |        |       |      | SWITCH, Ignition  |
| -17  | 06503845    | 3   |      |        |      |        |       |      | SCREW, Ignition Switch  |

**VIPER GTS COUPE,VIPER RT/10 ROADSTER (SR)**

|                |           |                       |                           |                                   |
|----------------|-----------|-----------------------|---------------------------|-----------------------------------|
| SERIES         | LINE      | BODY                  | ENGINE                    | TRANSMISSION                      |
| S = RT/10      | D = DODGE | 27 = 2-DR CONVERTIBLE | EWB = 8.0L V10 SFI Engine | DEC = 6-Speed Manual Transmission |
| S = GTS Coupe  |           | 29 = SPECIALTY COUPE  |                           | DBB = All Manual Transmissions    |
| X = GTS/Lemans |           |                       |                           |                                   |

AR = use ase required - = Non illustrated part

**Gear, Rack & Pinion Power And Attaching Parts**  
**Figure 19-310**



| ITEM | PART NUMBER | QTY | LINE | SERIES | BODY | ENGINE | TRANS | TRIM | DESCRIPTION                                 |
|------|-------------|-----|------|--------|------|--------|-------|------|---|
| -1   | 52037501    | 1   |      |        |      |        |       |      | END, Tie Rod, Package                       |
| -2   | 52037502    | 1   |      |        |      |        |       |      | BOOT, Steering Gear, Package                |
| 3    | 04709489    | 1   |      |        |      |        |       |      | GEAR, Power Steering, Rack and Pinion Power |
| 4    | 06034710    | 4   |      |        |      |        |       |      | WASHER, Flat                                |
| 5    | 06033181    | 2   |      | S      |      |        |       |      | BOLT, Hex Head, .625-11x3.75                |
| 6    | 04117796    | 1   |      |        |      |        |       |      | NUT, Pivot Arm                              |
| 7    | 06035643    | 2   |      |        |      |        |       |      | NUT, .562-18                                |
| 8    | 00120123    | 2   |      |        |      |        |       |      | PIN, Cotter                                 |
| 9    | 04642116    | 4   |      |        |      |        |       |      | ISOLATOR, Steering Gear, Gear Mtg.          |
| 10   | 04708035    | 2   |      |        |      |        |       |      | O RING, Steering Gear, Gear Bushing         |
| 11   | 04708475    | AR  |      |        |      |        |       |      | SHIM, Steering Gear, 0.5mm                  |
| -12  | 04708070    | AR  |      |        |      |        |       |      | SHIM, Steering Gear, 1.0mm                  |
| -13  | 04708068    | AR  |      |        |      |        |       |      | SHIM, Steering Gear, 1.5mm                  |
| -14  | 04708069    | AR  |      |        |      |        |       |      | SHIM, Steering Gear, 3.0mm                  |

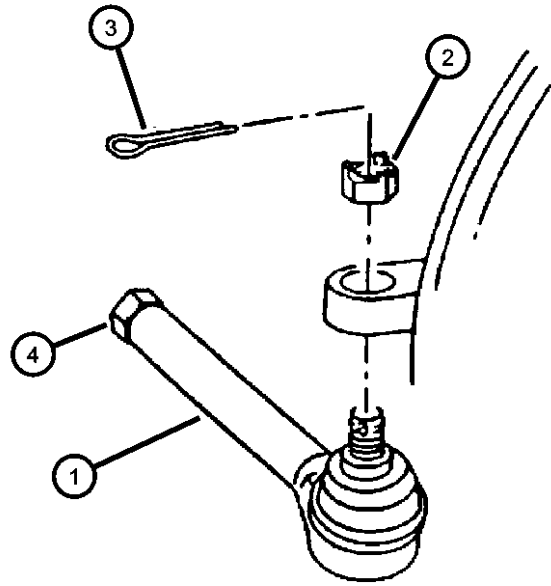
**VIPER GTS COUPE,VIPER RT/10 ROADSTER (SR)**

|                |           |                       |                           |                                   |
|----------------|-----------|-----------------------|---------------------------|-----------------------------------|
| SERIES         | LINE      | BODY                  | ENGINE                    | TRANSMISSION                      |
| S = RT/10      | D = DODGE | 27 = 2-DR CONVERTIBLE | EWB = 8.0L V10 SFI Engine | DEC = 6-Speed Manual Transmission |
| S = GTS Coupe  |           | 29 = SPECIALTY COUPE  |                           | DBB = All Manual Transmissions    |
| X = GTS/Lemans |           |                       |                           |                                   |

AR = use ase required - = Non illustrated part

**Tie Rod Ends  
Figure 19-410**

| ITEM | PART NUMBER | QTY | LINE | SERIES | BODY | ENGINE | TRANS | TRIM | DESCRIPTION  |
|------|-------------|-----|------|--------|------|--------|-------|------|--|
| 1    | 52037501    | 1   |      |        |      |        |       |      | END, Tie Rod   |
| 2    | 06035643    | 2   |      |        |      |        |       |      | NUT, .562-18   |
| 3    | 00120123    | 2   |      |        |      |        |       |      | PIN, Cotter  |
| 4    | 00120123    | 2   |      |        |      |        |       |      | NUT, Jam (Service in Tie Rod End),<br>(NOT SERVICED) |



**VIPER GTS COUPE,VIPER RT/10 ROADSTER (SR)**

| SERIES         | LINE      | BODY                  | ENGINE                    | TRANSMISSION                      |
|----------------|-----------|-----------------------|---------------------------|-----------------------------------|
| S = RT/10      | D = DODGE | 27 = 2-DR CONVERTIBLE | EWB = 8.0L V10 SFI Engine | DEC = 6-Speed Manual Transmission |
| S = GTS Coupe  |           | 29 = SPECIALTY COUPE  |                           | DBB = All Manual Transmissions    |
| X = GTS/Lemans |           |                       |                           |                                   |

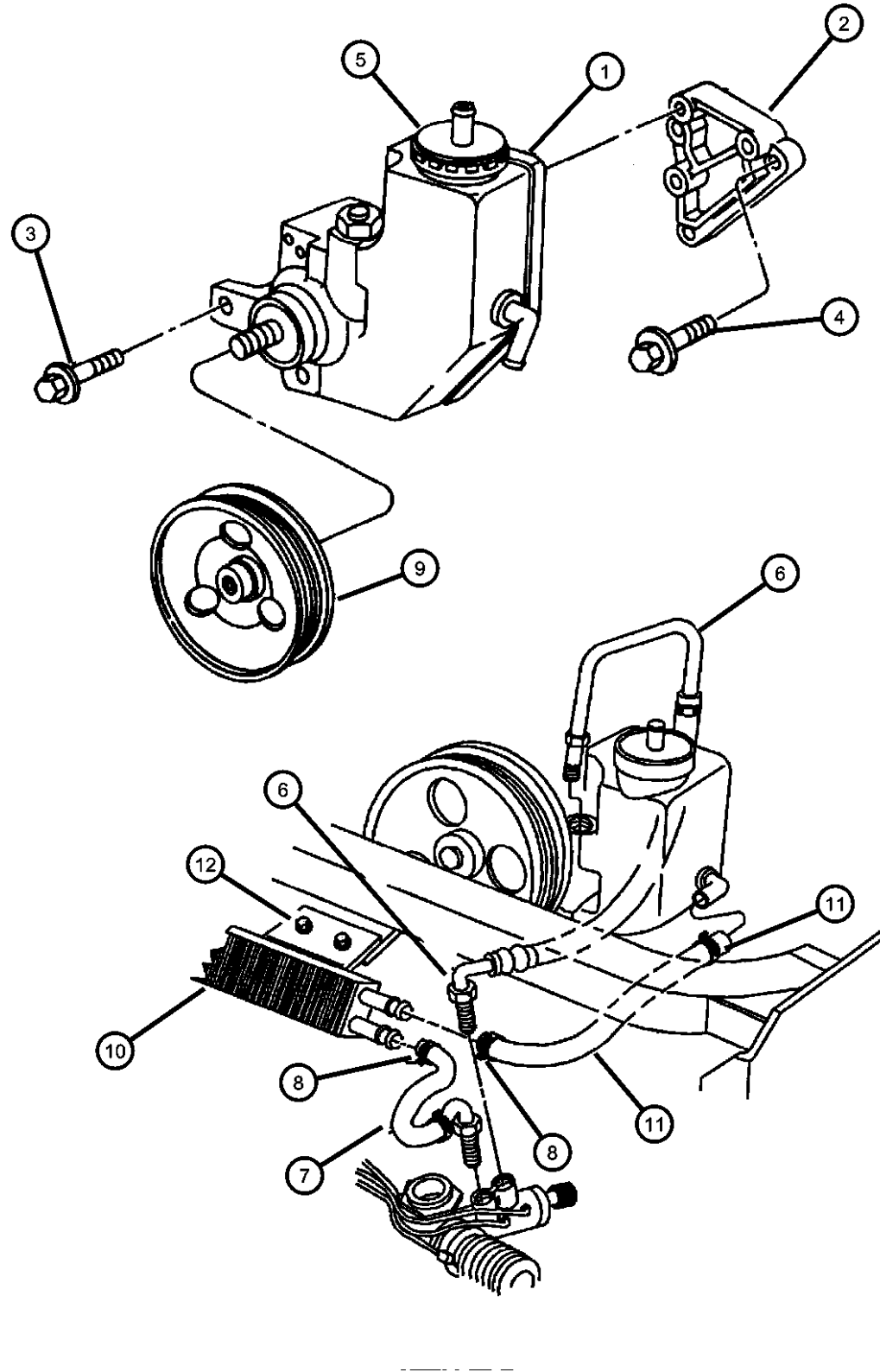
AR = use ase required - = Non illustrated part



**Pump And Hoses, Power Steering**  
**Figure 19-510**

| ITEM | PART NUMBER | QTY | LINE | SERIES | BODY | ENGINE | TRANS | TRIM | DESCRIPTION |
|------|-------------|-----|------|--------|------|--------|-------|------|-------------|
|------|-------------|-----|------|--------|------|--------|-------|------|-------------|

Note: Sales Code EWB= 8.0L V10 SFI



|     |                      |   |  |  |  |     |  |  |  |
|-----|----------------------|---|--|--|--|-----|--|--|--|
| 1   | 04642153<br>04883077 | 1 |  |  |  | EWB |  |  | PUMP, Power Steering, w/o Pulley, Reservoir, Cap (Just Pump)<br>Mopar Power Steering Fluid Quart |
| 2   | 05245799             | 1 |  |  |  | EWB |  |  | BRACKET, Power Steering Pump, Mounting   |
| 3   | 06034244             | 3 |  |  |  | EWB |  |  | SCREW AND WASHER, Hex Head, .312-18x3.50, w/Washer Pump To Bracket                               |
| 4   | 06035558             | 3 |  |  |  | EWB |  |  | SCREW, Hex Flange Head, .375-16x1.50, w/Washer Bracket To Engine                                 |
| 5   | 04796473             | 1 |  |  |  | EWB |  |  | CAP, Power Steering Reservoir  |
| 6   | 04848104             | 1 |  |  |  |     |  |  | HOSE, Power Steering Pressure  |
| 7   | 04642601             | 1 |  |  |  |     |  |  | HOSE, Power Steering Return  |
| 8   | 02448761             | 2 |  |  |  |     |  |  | CLAMP, Hose, Return Hose   |
| 9   | 53011017             | 1 |  |  |  | EWB |  |  | PULLEY, Power Steering Pump  |
| 10  | 04848617             | 1 |  |  |  |     |  |  | COOLER, Power Steering   |
| 11  | 03879925             | 1 |  |  |  |     |  |  | HOSE, Power Steering Return, Pump To Cooler  |
| 12  | 06022202             | 2 |  |  |  |     |  |  | SCREW AND WASHER, Hex Head, .25-20x.625  |
| -13 | 83503495             | 1 |  |  |  | EWB |  |  | RESERVOIR, Power Steering Pump   |

**VIPER GTS COUPE,VIPER RT/10 ROADSTER (SR)**

| SERIES         | LINE      | BODY                  | ENGINE                    | TRANSMISSION                      |
|----------------|-----------|-----------------------|---------------------------|-----------------------------------|
| S = RT/10      | D = DODGE | 27 = 2-DR CONVERTIBLE | EWB = 8.0L V10 SFI Engine | DEC = 6-Speed Manual Transmission |
| S = GTS Coupe  |           | 29 = SPECIALTY COUPE  |                           | DBB = All Manual Transmissions    |
| X = GTS/Lemans |           |                       |                           |                                   |

AR = use ase required - = Non illustrated part

1997 SR

# Group - T56

## Manual Transmission 6 Speed

### Group - T56 Manual Transmission 6 Speed

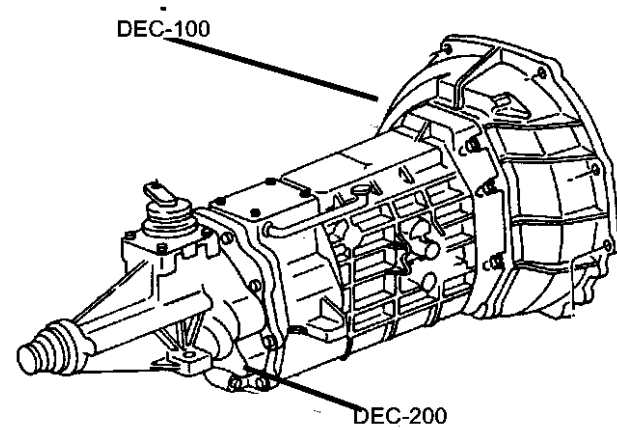


Illustration Title

Group-Fig. No.

#### Transmission

Transmission Assembly ..... Fig. T56 - 110

#### Case & Extension

Case And Extension ..... Fig. T56 - 210

#### Transmission Mounting

Transmission Mounting ..... Fig. T56 - 310

#### Gear Train

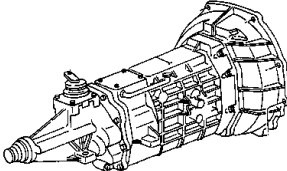
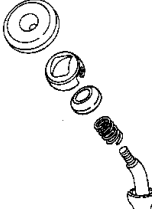
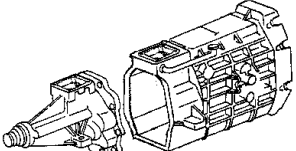
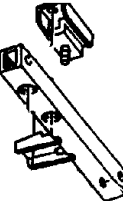
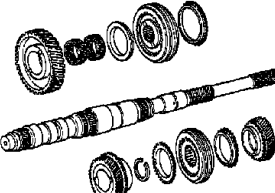
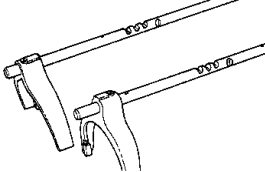
Gear Train ..... Fig. T56 - 410

#### Forks and Rails

Shift Forks, Rails, Miscellaneous Parts ..... Fig. T56 - 910

#### Gear Shift Controls

Gear Shift ..... Fig. T56 - 1210

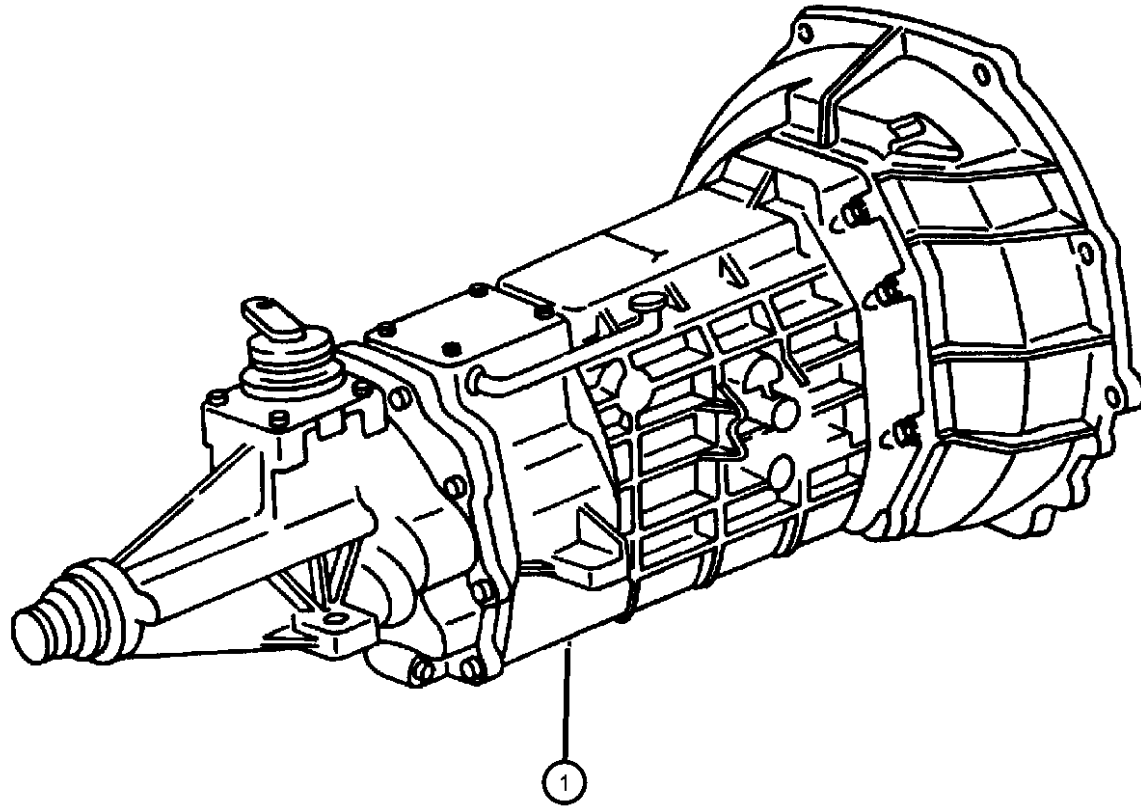
|   |  |   |   |
|---|--|---|---|
| <p><b>T56-100</b><br/>Transmission</p>  | <p><b>T56-1200</b><br/>Gear Shift Controls</p>  | <p><b>T56-200</b><br/>Case &amp; Extension</p>  | <p><b>T56-300</b><br/>Transmission Mounting</p>  |
| <p><b>T56-400</b><br/>Gear Train</p>    | <p><b>T56-900</b><br/>Forks and Rails</p>       |   |   |

**Transmission Assembly  
Figure T56-110**

| ITEM | PART NUMBER | QTY | LINE | SERIES | BODY | ENGINE | TRANS | TRIM | DESCRIPTION |
|------|-------------|-----|------|--------|------|--------|-------|------|-------------|
|------|-------------|-----|------|--------|------|--------|-------|------|-------------|

NOTE: DEC - 6 Spd Manual Trans

|   |            |   |  |  |  |  |     |  |   |
|---|------------|---|--|--|--|--|-----|--|---|
| 1 | 04882823   | 1 |  |  |  |  | DEC |  | TRANSMISSION, 6 speed                     |
|   | 04773590   |   |  |  |  |  |     |  | Mopar Automatic Transmission Fluid Quart  |
|   | 04773591AC |   |  |  |  |  |     |  | Mopar Automatic Transmission Fluid Gallon |



**VIPER GTS COUPE,VIPER RT/10 ROADSTER (SR)**

| SERIES         | LINE      | BODY                  | ENGINE                    | TRANSMISSION                      |
|----------------|-----------|-----------------------|---------------------------|-----------------------------------|
| S = RT/10      | D = DODGE | 27 = 2-DR CONVERTIBLE | EWB = 8.0L V10 SFI Engine | DEC = 6-Speed Manual Transmission |
| S = GTS Coupe  |           | 29 = SPECIALTY COUPE  |                           | DBB = All Manual Transmissions    |
| X = GTS/Lemans |           |                       |                           |                                   |

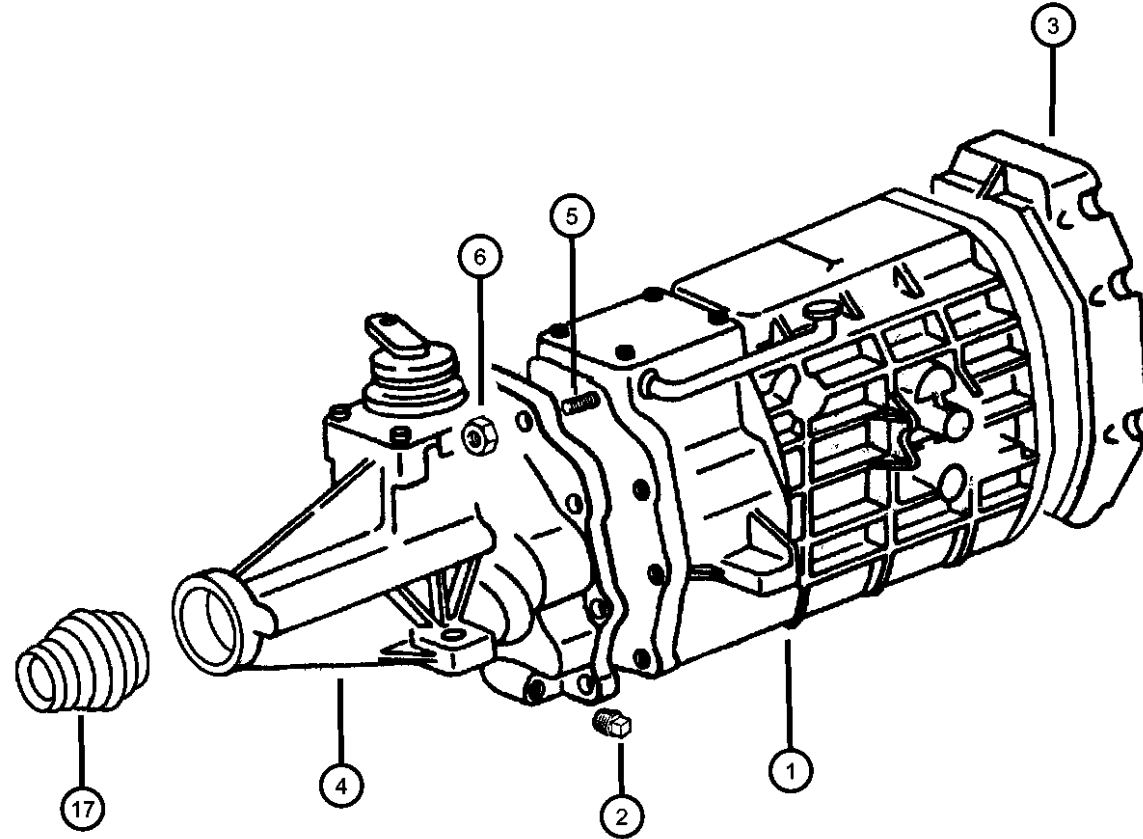
AR = use ase required - = Non illustrated part

1997 SR

Case And Extension  
Figure T56-210

| ITEM | PART NUMBER | QTY | LINE | SERIES | BODY | ENGINE | TRANS | TRIM | DESCRIPTION |
|------|-------------|-----|------|--------|------|--------|-------|------|-------------|
|------|-------------|-----|------|--------|------|--------|-------|------|-------------|

NOTE: DEC - 6 Spd Manual Trans



|     |            |   |  |  |  |  |     |  |  |
|-----|------------|---|--|--|--|--|-----|--|--|
| 1   | 04626460   | 1 |  |  |  |  | DEC |  | CASE, Transmission                                 |
| 2   | 04626591   | 1 |  |  |  |  | DEC |  | PLUG, Oil Fill, Drain                              |
| 3   | 04626511   | 1 |  |  |  |  | DEC |  | ADAPTER, Transmission, Front                       |
| 4   | 04886337AA | 1 |  |  |  |  | DEC |  | CASE, Transmission Rear, Rear                      |
| 5   | 04626461   | 2 |  |  |  |  | DEC |  | STUD, Extension                                    |
| 6   | 04626568   | 2 |  |  |  |  | DEC |  | NUT, Transmission Case, Rear Housing               |
| -7  | 04626513   | 2 |  |  |  |  | DEC |  | DOWEL, Transmission Case, Front Case Adapter Dowel |
| -8  | 04626514   | 2 |  |  |  |  | DEC |  | DOWEL, Transmission Case, Hollow                   |
| -9  | 04626515   | 1 |  |  |  |  | DEC |  | SEAL, Input Shaft, Input Shaft                     |
| -10 | 04626520   | 6 |  |  |  |  | DEC |  | BOLT, Transmission Case                            |
| -11 | 04626567   | 1 |  |  |  |  | DEC |  | MAGNET, Transmission                               |
| -12 | 04626520   | 6 |  |  |  |  | DEC |  | BOLT, Transmission Case                            |
| -13 | 04626573   | 1 |  |  |  |  | DEC |  | BREATHER, Transmission Case                        |
| -14 | 04626591   | 1 |  |  |  |  | DEC |  | PLUG, Oil Fill, Front Adapter Inspection           |
| -15 | 04626592   | 1 |  |  |  |  | DEC |  | VENT, Transmission Pipe                            |
| -16 | 04626570   | 1 |  |  |  |  | DEC |  | CLIP, Vent Tube, Vent Tube                         |
| 17  | 04531216   | 1 |  |  |  |  | DEC |  | SEAL, Extension Yoke, Rear                         |

VIPER GTS COUPE,VIPER RT/10 ROADSTER (SR)

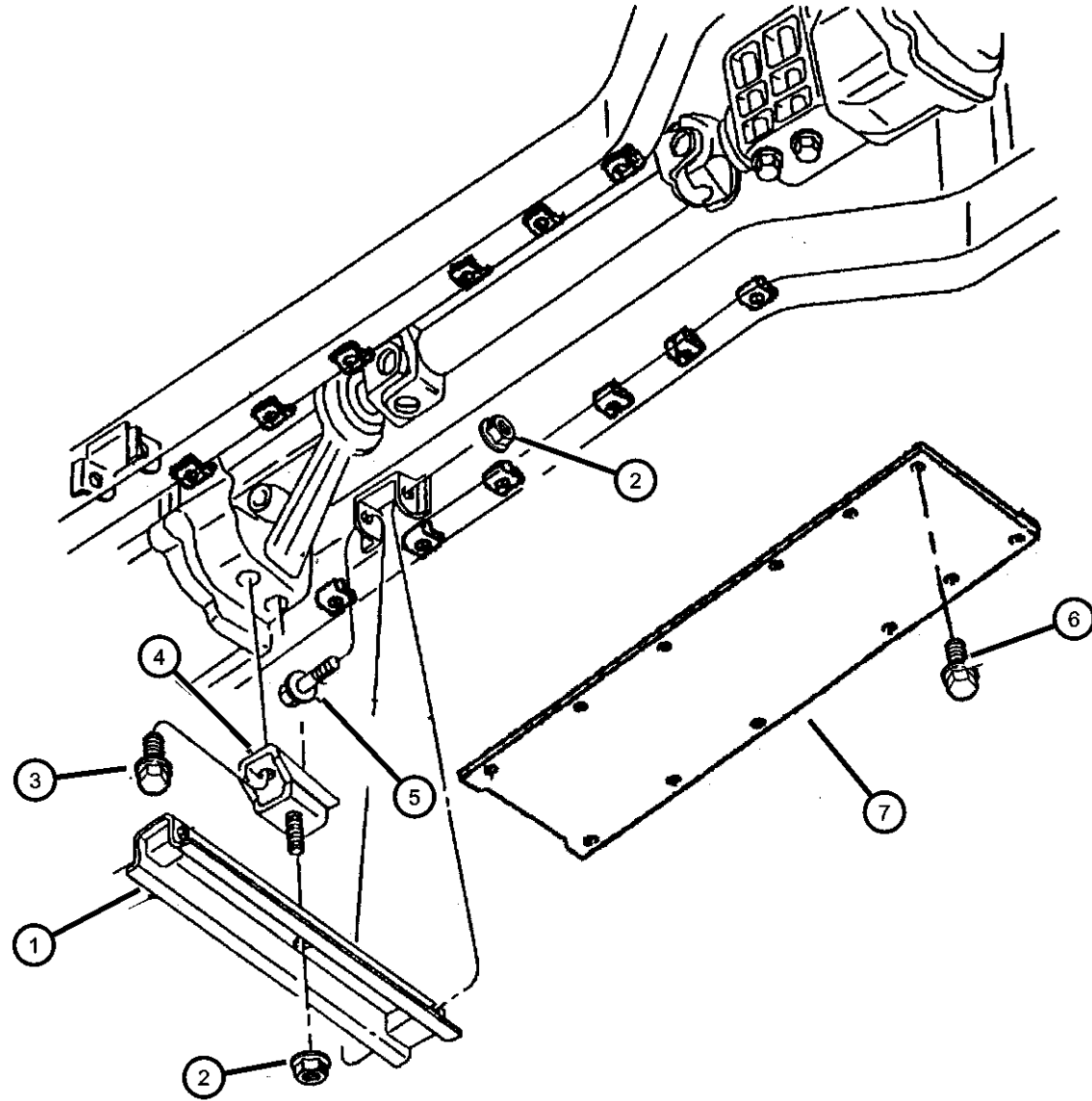
| SERIES         | LINE      | BODY                  | ENGINE                    | TRANSMISSION                      |
|----------------|-----------|-----------------------|---------------------------|-----------------------------------|
| S = RT/10      | D = DODGE | 27 = 2-DR CONVERTIBLE | EWB = 8.0L V10 SFI Engine | DEC = 6-Speed Manual Transmission |
| S = GTS Coupe  |           | 29 = SPECIALTY COUPE  |                           | DBB = All Manual Transmissions    |
| X = GTS/Lemans |           |                       |                           |                                   |

AR = use ase required - = Non illustrated part

1997 SR

**Transmission Mounting  
Figure T56-310**

| ITEM | PART NUMBER | QTY | LINE | SERIES | BODY | ENGINE | TRANS | TRIM | DESCRIPTION  |
|------|-------------|-----|------|--------|------|--------|-------|------|--|
| 1    | 04763813    | 1   |      |        |      |        |       |      | CROSSMEMBER, Transmission, Transmission Mounting                   |
| 2    | 06502696    | 3   |      |        |      |        |       |      | NUT, Hex Flange Lock, M14x1.50                                     |
| 3    | 06501596    | 2   |      |        |      |        |       |      | SCREW AND WASHER, Hex Head, M10x1.5x45, w/ WASHER (M10x1.50x45.00) |
| 4    | 04643318    | 1   |      |        |      |        |       |      | MOUNT, Transmission, Transmission                                  |
| 5    | 06101707    | 2   |      |        |      |        |       |      | BOLT, M10x1.50x75  |
| 6    | 06503571    | 12  |      |        |      |        |       |      | SCREW AND WASHER, M10x1.50x35                                      |
| 7    | 04642876    | 1   |      |        |      |        |       |      | PLATE, Floor Console   |

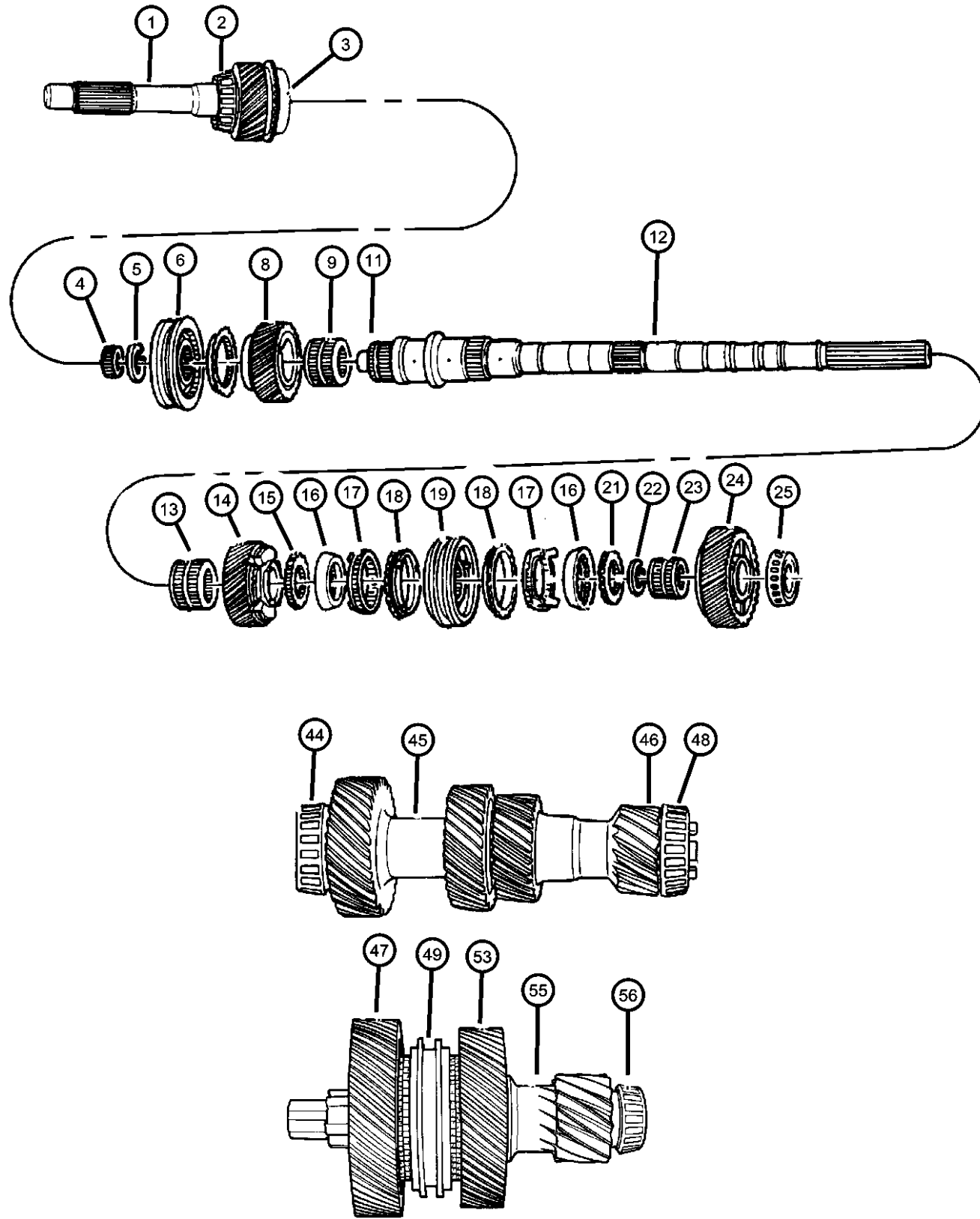


**VIPER GTS COUPE,VIPER RT/10 ROADSTER (SR)**

| SERIES         | LINE      | BODY                  | ENGINE                    | TRANSMISSION                      |
|----------------|-----------|-----------------------|---------------------------|-----------------------------------|
| S = RT/10      | D = DODGE | 27 = 2-DR CONVERTIBLE | EWB = 8.0L V10 SFI Engine | DEC = 6-Speed Manual Transmission |
| S = GTS Coupe  |           | 29 = SPECIALTY COUPE  |                           | DBB = All Manual Transmissions    |
| X = GTS/Lemans |           |                       |                           |                                   |

AR = use ase required - = Non illustrated part

**Gear Train  
Figure T56-410**



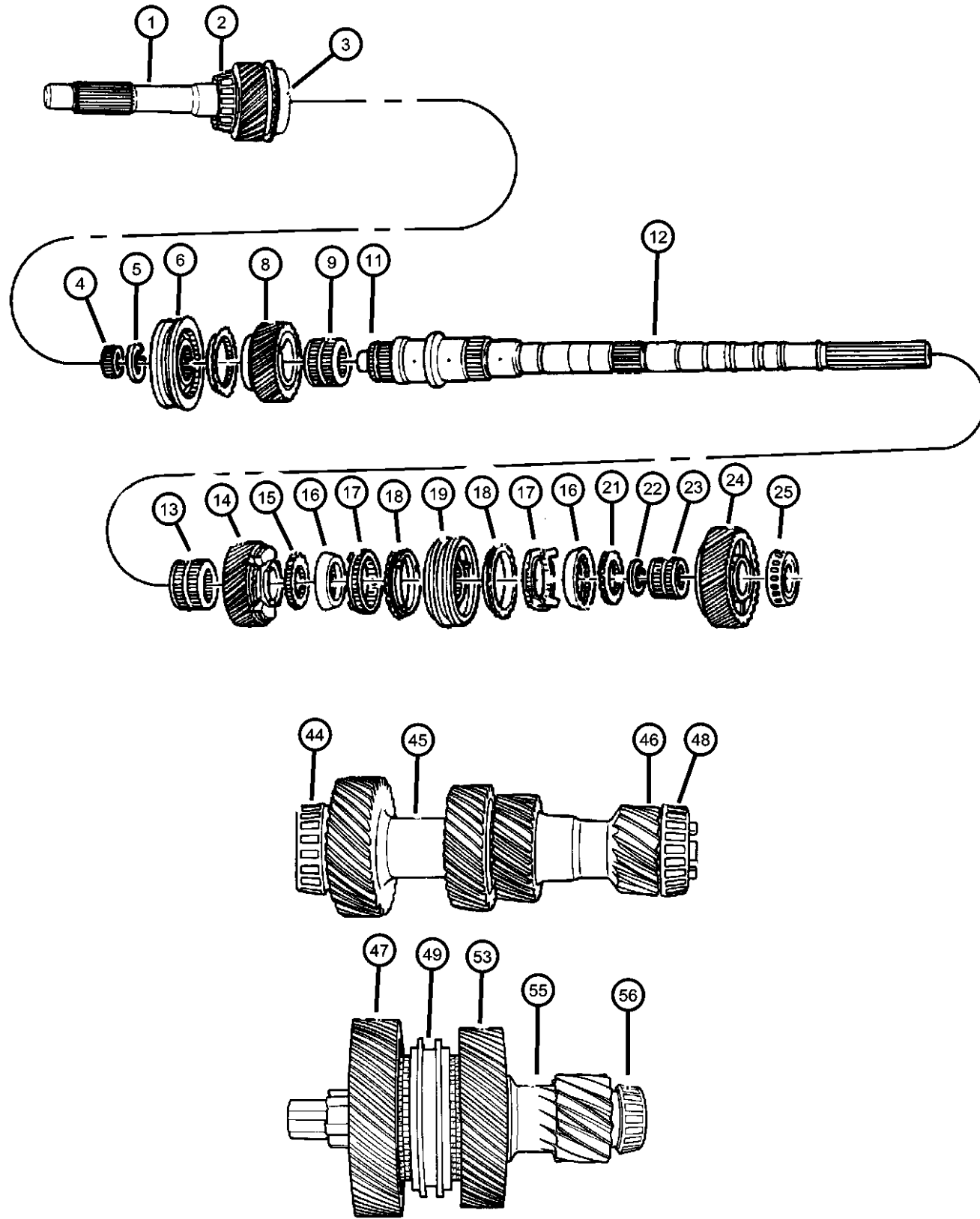
| ITEM                           | PART NUMBER | QTY | LINE | SERIES | BODY | ENGINE | TRANS | TRIM | DESCRIPTION                                  |
|--------------------------------|-------------|-----|------|--------|------|--------|-------|------|--|
| NOTE: DEC - 6 Spd Manual Trans |             |     |      |        |      |        |       |      |  |
| 1                              | 04626574    | 1   |      |        |      |        | DEC   |      | INPUT SHAFT PACKAGE, Transaxle, w/Bearing    |
| 2                              | 04626737    | 1   |      |        |      |        | DEC   |      | BEARING PACKAGE, Input Shaft                 |
| 3                              | 04626476    | 2   |      |        |      |        | DEC   |      | STOP RING, Synchronizer, 3rd and 4th Synchro |
| 4                              | 04626736    | 1   |      |        |      |        | DEC   |      | BEARING PACKAGE, Mainshaft, Front            |
| 5                              | 04626487    | 1   |      |        |      |        | DEC   |      | SNAP RING                                    |
| 6                              | 04626474    | 3   |      |        |      |        | DEC   |      | STRUT, Synchronizer                          |
| -7                             | 04626475    | 2   |      |        |      |        | DEC   |      | SPRING, 3rd And 4th Synchronizer             |
| 8                              | 04626471    | 1   |      |        |      |        | DEC   |      | GEAR, Third                                  |
| 9                              | 04626469    | 1   |      |        |      |        | DEC   |      | NEEDLE BEARING, Third Gear                   |
| -10                            | 04626470    | 1   |      |        |      |        | DEC   |      | SPACER, Third Gear                           |
| 11                             | 04626549    | 1   |      |        |      |        | DEC   |      | BEARING CONE, Idler Gear, Reverse            |
| 12                             | 04626467    | 1   |      |        |      |        | DEC   |      | MAINSHAFT, Transmission                      |
| 13                             | 04626469    | 1   |      |        |      |        | DEC   |      | NEEDLE BEARING, Third Gear, 2nd Speed Needle |
| 14                             | 04626478    | 1   |      |        |      |        | DEC   |      | GEAR, Second                                 |
| 15                             | 04626564    | 1   |      |        |      |        | DEC   |      | SNAP RING, Mainshaft                         |
| 16                             | 04626484    | 2   |      |        |      |        | DEC   |      | FRICITION CONE, Second Gear Inner            |
| 17                             | 04626485    | 2   |      |        |      |        | DEC   |      | FRICITION CONE, Second Gear Inner            |
| 18                             | 04626483    | 2   |      |        |      |        | DEC   |      | RING, 1st and 2nd Speed Blocker              |
| 19                             | 04626481    | 3   |      |        |      |        | DEC   |      | KEY, Synchronizer                            |
| -20                            | 04626482    | 2   |      |        |      |        | DEC   |      | SPRING, Synchronizer                         |
| 21                             | 04626536    | 1   |      |        |      |        | DEC   |      | SNAP RING                                    |
| 22                             | 04626487    | 1   |      |        |      |        | DEC   |      | SNAP RING                                    |
| 23                             | 04626488    | 1   |      |        |      |        | DEC   |      | NEEDLE BEARING, First Gear, 1st Speed Needle |
| 24                             | 04626489    | 1   |      |        |      |        | DEC   |      | GEAR, First                                  |
| 25                             | 04626734    | 1   |      |        |      |        | DEC   |      | BEARING PACKAGE, Mainshaft, Rear             |
| -26                            | 04626486    | 2   |      |        |      |        | DEC   |      | THRUST WASHER, First And Second Gear         |
| -27                            | 04626552    | 1   |      |        |      |        | DEC   |      | GEAR, Fifth, 5th - 6th Speed Driven          |
| -28                            | 04626474    | 3   |      |        |      |        | DEC   |      | STRUT, Synchronizer                          |
| -29                            | 04626534    | 2   |      |        |      |        | DEC   |      | SPRING, Synchronizer                         |
| -30                            | 04626554    | 1   |      |        |      |        | DEC   |      | RETAINER, Reverse Syncro                     |

**VIPER GTS COUPE,VIPER RT/10 ROADSTER (SR)**

|                |           |                       |                           |                                   |
|----------------|-----------|-----------------------|---------------------------|-----------------------------------|
| SERIES         | LINE      | BODY                  | ENGINE                    | TRANSMISSION                      |
| S = RT/10      | D = DODGE | 27 = 2-DR CONVERTIBLE | EWB = 8.0L V10 SFI Engine | DEC = 6-Speed Manual Transmission |
| S = GTS Coupe  |           | 29 = SPECIALTY COUPE  |                           | DBB = All Manual Transmissions    |
| X = GTS/Lemans |           |                       |                           |                                   |

AR = use ase required - = Non illustrated part

**Gear Train  
Figure T56-410**



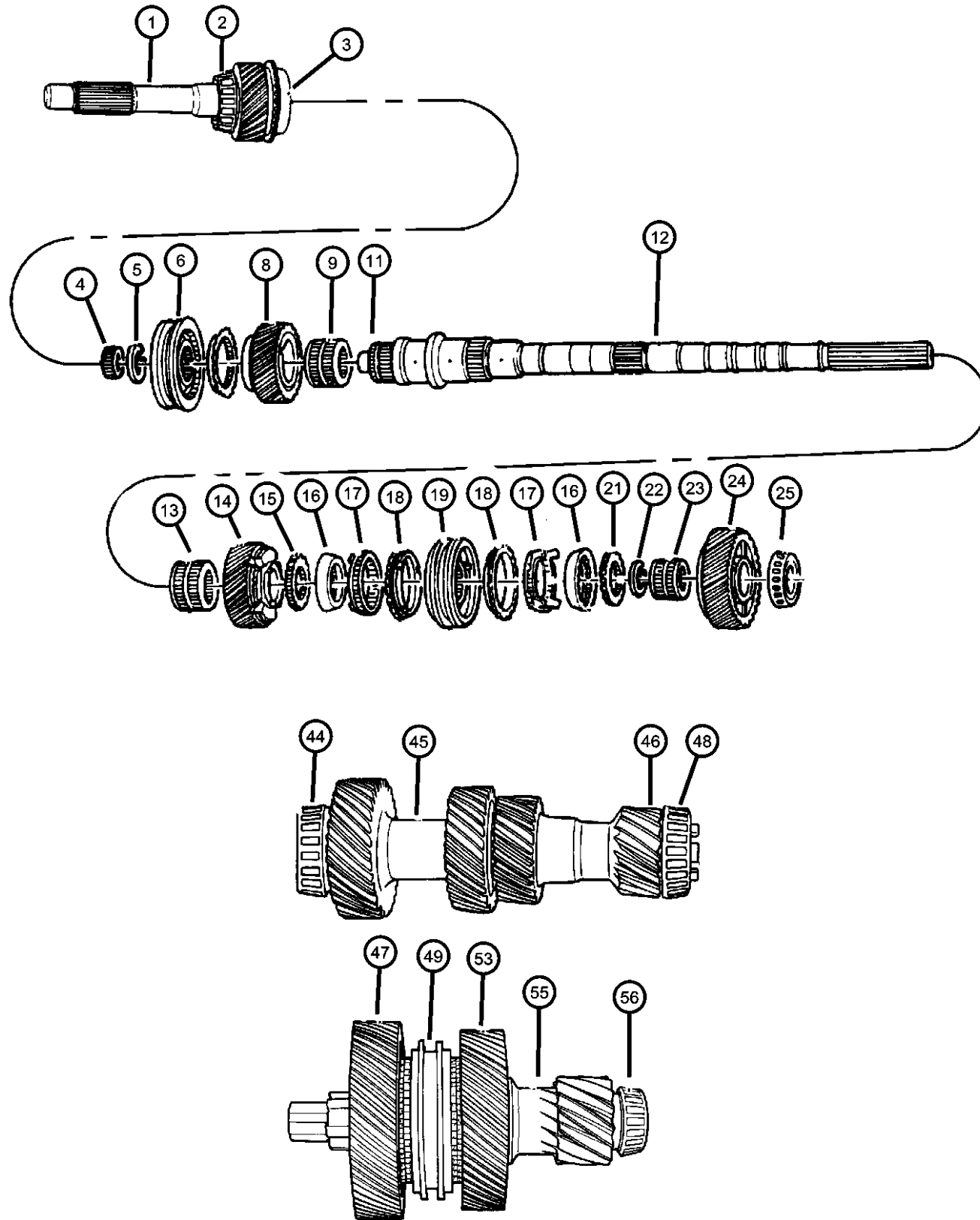
| ITEM | PART NUMBER | QTY | LINE | SERIES | BODY | ENGINE | TRANS | TRIM | DESCRIPTION  |
|------|-------------|-----|------|--------|------|--------|-------|------|--|
| -31  | 04626555    | 1   |      |        |      |        | DEC   |      | WASHER, Reverse Thrust                             |
| -32  | 04626556    | 1   |      |        |      |        | DEC   |      | WASHER, Reverse Wave                               |
| -33  | 04626557    | 1   |      |        |      |        | DEC   |      | RING, Reverse Blocker                              |
| -34  | 04626536    | 1   |      |        |      |        | DEC   |      | SNAP RING  |
| -35  | 04626558    | 1   |      |        |      |        | DEC   |      | NEEDLE BEARING, Reverse Gear                       |
| -36  | 04626559    | 1   |      |        |      |        | DEC   |      | GEAR, Reverse                                      |
| -37  | 04626560    | 1   |      |        |      |        | DEC   |      | WASHER, Reverse Thrust                             |
| -38  | 04626562    | 2   |      |        |      |        | DEC   |      | WASHER, Mainshaft                                  |
| -39  | 04626563    | 1   |      |        |      |        | DEC   |      | NEEDLE BEARING, Mainshaft Rear                     |
| -40  | 04626564    | 1   |      |        |      |        | DEC   |      | SNAP RING, Mainshaft, Bearing Race                 |
| -41  | 04626536    | 1   |      |        |      |        | DEC   |      | SNAP RING, Mainshaft Rear                          |
| -42  | 04626565    | 3   |      |        |      |        | DEC   |      | SNAP RING, Speedo, Yoke Stop                       |
| -43  | 04626566    | 1   |      |        |      |        | DEC   |      | ROTOR, Speedometer                                 |
| 44   | 04626735    | 1   |      |        |      |        | DEC   |      | BEARING PACKAGE, Countershaft, Front               |
| 45   | 04626464    | 1   |      |        |      |        | DEC   |      | GEAR, Cluster                                      |
| 46   | 04626733    | 1   |      |        |      |        | DEC   |      | BEARING PACKAGE, Countershaft, Rear                |
| 47   | 04626539    | 1   |      |        |      |        | DEC   |      | GEAR, Sixth  |
| 48   | 04626538    | 1   |      |        |      |        | DEC   |      | BEARING, Sixth Gear                                |
| 49   | 04626474    | 3   |      |        |      |        | DEC   |      | STRUT, Synchronizer                                |
| -50  | 04626534    | 2   |      |        |      |        | DEC   |      | SPRING, Synchronizer                               |
| -51  | 04626535    | 2   |      |        |      |        | DEC   |      | STOP RING, Synchronizer                            |
| -52  | 04626536    | 1   |      |        |      |        | DEC   |      | SNAP RING  |
| 53   | 04626531    | 1   |      |        |      |        | DEC   |      | GEAR, Countershaft Fifth                           |
| -54  | 04626530    | 1   |      |        |      |        | DEC   |      | NEEDLE BEARING, Fifth Gear                         |
| 55   | 04626529    | 1   |      |        |      |        | DEC   |      | GEAR, Countershaft                                 |
| 56   | 04626736    | 1   |      |        |      |        | DEC   |      | BEARING PACKAGE, Mainshaft, Countershaft Extension |
| -57  | 04626537    | 1   |      |        |      |        | DEC   |      | SPACER, Sixth Gear                                 |
| -58  | 04626541    | 1   |      |        |      |        | DEC   |      | THRUST WASHER, Sixth Gear                          |
| -59  | 04626545    | 1   |      |        |      |        | DEC   |      | FUNNEL, Counter Shaft, Extension                   |
| -60  | 04626547    | 1   |      |        |      |        | DEC   |      | IDLER SHAFT, Transmission, Reverse                 |
| -61  | 04626548    | 1   |      |        |      |        | DEC   |      | GEAR, Reverse Idler                                |
| -62  | 04626550    | 1   |      |        |      |        | DEC   |      | WASHER, Reverse Idler                              |

**VIPER GTS COUPE,VIPER RT/10 ROADSTER (SR)**

|                |           |                       |                           |                                   |
|----------------|-----------|-----------------------|---------------------------|-----------------------------------|
| SERIES         | LINE      | BODY                  | ENGINE                    | TRANSMISSION                      |
| S = RT/10      | D = DODGE | 27 = 2-DR CONVERTIBLE | EWB = 8.0L V10 SFI Engine | DEC = 6-Speed Manual Transmission |
| S = GTS Coupe  |           | 29 = SPECIALTY COUPE  |                           | DBB = All Manual Transmissions    |
| X = GTS/Lemans |           |                       |                           |                                   |

AR = use ase required - = Non illustrated part

**Gear Train  
Figure T56-410**



| ITEM | PART NUMBER | QTY | LINE | SERIES | BODY | ENGINE | TRANS | TRIM | DESCRIPTION                  |
|------|-------------|-----|------|--------|------|--------|-------|------|------------------------------|
| -63  | 04626527    | 2   |      |        |      |        | DEC   |      | BOLT, Reverse Idler Bracket  |
| -64  | 04626551    | 1   |      |        |      |        | DEC   |      | BRACKET, Reverse Idler Shaft |

**VIPER GTS COUPE,VIPER RT/10 ROADSTER (SR)**

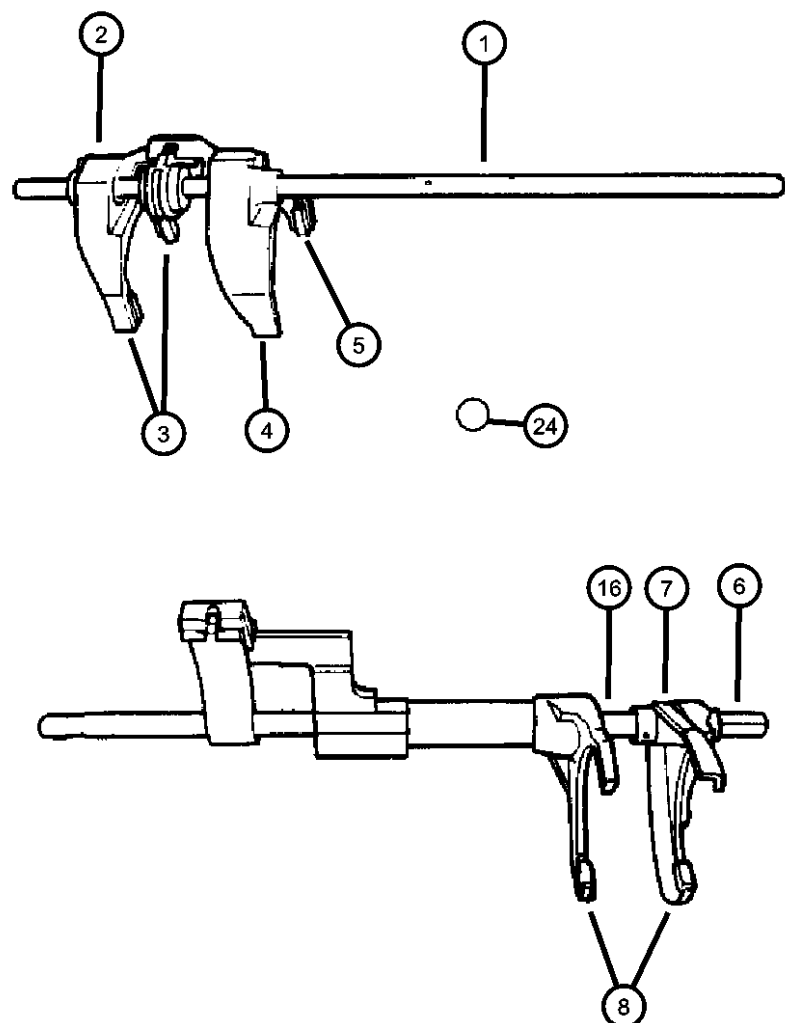
|                |           |                       |                           |                                   |
|----------------|-----------|-----------------------|---------------------------|-----------------------------------|
| SERIES         | LINE      | BODY                  | ENGINE                    | TRANSMISSION                      |
| S = RT/10      | D = DODGE | 27 = 2-DR CONVERTIBLE | EWB = 8.0L V10 SFI Engine | DEC = 6-Speed Manual Transmission |
| S = GTS Coupe  |           | 29 = SPECIALTY COUPE  |                           | DBB = All Manual Transmissions    |
| X = GTS/Lemans |           |                       |                           |                                   |

AR = use ase required - = Non illustrated part

1997 SR



**Shift Forks, Rails, Miscellaneous Parts  
Figure T56-910**



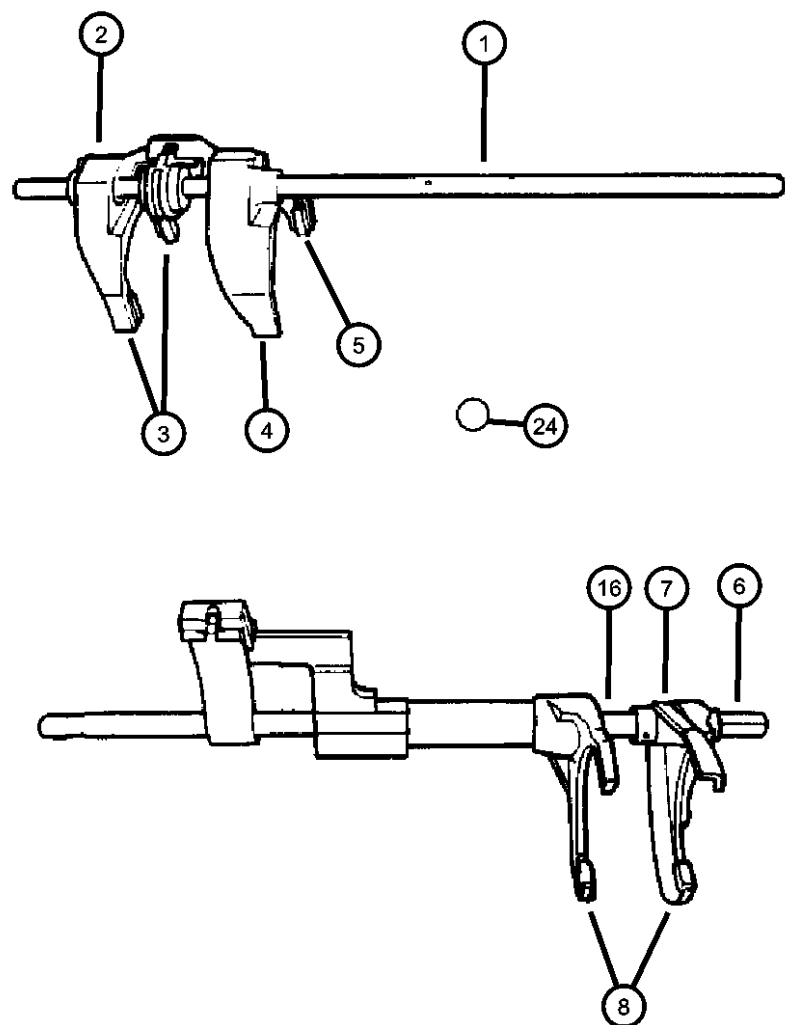
| ITEM                           | PART NUMBER | QTY | LINE | SERIES | BODY | ENGINE | TRANS | TRIM | DESCRIPTION                                  |
|--------------------------------|-------------|-----|------|--------|------|--------|-------|------|--|
| NOTE: DEC - 6 Spd Manual Trans |             |     |      |        |      |        |       |      |  |
| 1                              | 04626498    | 1   |      |        |      |        | DEC   |      | RAIL, Top, Top Shift                         |
| 2                              | 04626499    | 1   |      |        |      |        | DEC   |      | FORK, Third and Fourth                       |
| 3                              | 04626502    | 2   |      |        |      |        | DEC   |      | PAD, Shift Fork, 3rd - 4th Shift Fork        |
| 4                              | 04626505    | 1   |      |        |      |        | DEC   |      | FORK, First and Second                       |
| 5                              | 04626502    | 2   |      |        |      |        | DEC   |      | PAD, Shift Fork, 1st - 2nd Shift Fork        |
| 6                              | 04626492    | 1   |      |        |      |        | DEC   |      | RAIL, Reverse Shift                          |
| 7                              | 04626553    | 1   |      |        |      |        | DEC   |      | FORK, Transmission, Reverse                  |
| 8                              | 04626496    | 2   |      |        |      |        | DEC   |      | PAD, Shift Fork, 5th, 6th and Reverse        |
| -9                             | 04626540    | 1   |      |        |      |        | DEC   |      | FORK, Fifth Shift, 5th and 6th Shift         |
| -10                            | 04626493    | 1   |      |        |      |        | DEC   |      | PIN, Roll, Reverse Collar                    |
| -11                            | 04626494    | 1   |      |        |      |        | DEC   |      | COLLAR, Reverse Shift                        |
| -12                            | 04626495    | 1   |      |        |      |        | DEC   |      | LEVER, Fifth and Sixth, w/ BUSHING           |
| -13                            | 04626497    | 1   |      |        |      |        | DEC   |      | LEVER, Reverse                               |
| -14                            | 04626493    | 1   |      |        |      |        | DEC   |      | PIN, Roll, Reverse Lever                     |
| -15                            | 04626503    | 1   |      |        |      |        | DEC   |      | PLATE, Shift, 1st - 2nd and 3rd - 4th Shift  |
| 16                             | 04626506    | 1   |      |        |      |        | DEC   |      | ARM, Gearshift Selector                      |
| -17                            | 04626493    | 1   |      |        |      |        | DEC   |      | PIN, Roll, Selector Arm                      |
| -18                            | 04626507    | 1   |      |        |      |        | DEC   |      | PLATE, Transmission Module, Interlock        |
| -19                            | 04626508    | 1   |      |        |      |        | DEC   |      | BOLT, Shift Lever Guide                      |
| -20                            | 04626512    | 1   |      |        |      |        | DEC   |      | BUSHING, Shift Rail, Top Shift Rail          |
| -21                            | 04626521    | 1   |      |        |      |        | DEC   |      | PLATE, Transmission Shifter, Guide 6th Speed |
| -22                            | 04761999    | 1   |      |        |      |        | DEC   |      | LEVER, Offset, Offset Front                  |
| -23                            | 04626523    | 1   |      |        |      |        | DEC   |      | SPRING, Detent Offset                        |
| 24                             | 04626526    | 1   |      |        |      |        | DEC   |      | BALL, Check, Offset Detent                   |
| -25                            | 04626527    | 2   |      |        |      |        | DEC   |      | BOLT, Guide Plate                            |
| -26                            | 04626528    | 1   |      |        |      |        | DEC   |      | LEVER, First and Fourth                      |
| -27                            | 04626493    | 1   |      |        |      |        | DEC   |      | PIN, Roll, Skip Shift                        |
| -28                            | 04626493    | 1   |      |        |      |        | DEC   |      | PIN, Roll, Front Offset Lever                |
| -29                            | 04626542    | 1   |      |        |      |        | DEC   |      | SNAP RING, Shift Fork, 5th - 6th Shift Fork  |
| -30                            | 04626512    | 1   |      |        |      |        | DEC   |      | BUSHING, Shift Rail, Top Shift Rail          |
| -31                            | 04626561    | 1   |      |        |      |        | DEC   |      | SNAP RING, Shift Fork, Reverse Fork          |

**VIPER GTS COUPE, VIPER RT/10 ROADSTER (SR)**

|                |           |                       |                           |                                   |
|----------------|-----------|-----------------------|---------------------------|-----------------------------------|
| SERIES         | LINE      | BODY                  | ENGINE                    | TRANSMISSION                      |
| S = RT/10      | D = DODGE | 27 = 2-DR CONVERTIBLE | EWB = 8.0L V10 SFI Engine | DEC = 6-Speed Manual Transmission |
| S = GTS Coupe  |           | 29 = SPECIALTY COUPE  |                           | DBB = All Manual Transmissions    |
| X = GTS/Lemans |           |                       |                           |                                   |

AR = use ase required - = Non illustrated part

**Shift Forks, Rails, Miscellaneous Parts  
Figure T56-910**



| ITEM | PART NUMBER | QTY | LINE | SERIES | BODY | ENGINE | TRANS | TRIM | DESCRIPTION   |
|------|-------------|-----|------|--------|------|--------|-------|------|---|
| -32  | 04626569    | 1   |      |        |      |        | DEC   |      | PLATE, Transmission Shifter, Front Shifter Cover                |
| -33  | 04626571    | 4   |      |        |      |        | DEC   |      | BOLT, Shifter Cover, Front Shifter Cover                        |
| -34  | 04626577    | 1   |      |        |      |        | DEC   |      | HOUSING, Shift  |
| -35  | 04626578    | 1   |      |        |      |        | DEC   |      | O RING, Shift Detent Housing, Transmission                      |
| -36  | 04626571    | 4   |      |        |      |        | DEC   |      | BOLT, Shifter Cover   |
| -37  | 04626579    | 1   |      |        |      |        | DEC   |      | LEVER, Offset, Rear   |
| -38  | 04626493    | 1   |      |        |      |        | DEC   |      | PIN, Roll, Rear Offset Lever                                    |
| -39  | 04626586    | 1   |      |        |      |        | DEC   |      | SNAP RING, Reverse Inhibitor, Reverse Lockout                   |
| -40  | 04626587    | 1   |      |        |      |        | DEC   |      | O RING, Reverse Inhibitor, Manual Transmission, Reverse Lockout |
| -41  | 04626588    | 1   |      |        |      |        | DEC   |      | LEVER, Gearshift  |
| -42  | 04626578    | 1   |      |        |      |        | DEC   |      | O RING, Shift Detent Housing, Transmission                      |

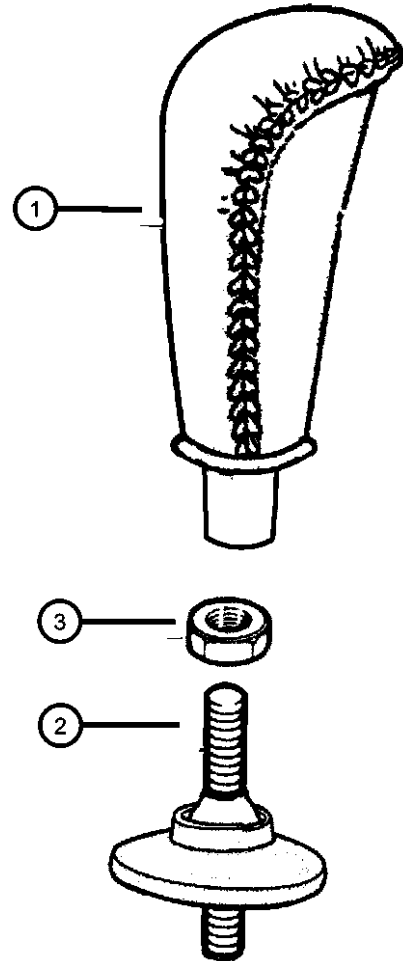
**VIPER GTS COUPE,VIPER RT/10 ROADSTER (SR)**

| SERIES         | LINE      | BODY                  | ENGINE                    | TRANSMISSION                      |
|----------------|-----------|-----------------------|---------------------------|-----------------------------------|
| S = RT/10      | D = DODGE | 27 = 2-DR CONVERTIBLE | EWB = 8.0L V10 SFI Engine | DEC = 6-Speed Manual Transmission |
| S = GTS Coupe  |           | 29 = SPECIALTY COUPE  |                           | DBB = All Manual Transmissions    |
| X = GTS/Lemans |           |                       |                           |                                   |

AR = use ase required - = Non illustrated part

**Gear Shift  
Figure T56-1210**

| ITEM | PART NUMBER | QTY | LINE | SERIES | BODY | ENGINE | TRANS | TRIM | DESCRIPTION                             |
|------|-------------|-----|------|--------|------|--------|-------|------|---|
| 1    | 0HD421KA    | 1   |      |        |      |        |       |      | KNOB, Gearshift<br>Carmel-Tan           |
|      | 0HD42LX9    | 1   |      |        |      |        |       |      | Flat Black                              |
|      | 0HD42SB4    | 1   |      |        |      |        |       |      | Bright Blue                             |
|      | 0HD42SR1    | 1   |      |        |      |        |       |      | Red                                     |
| 2    | 04709410    | 1   |      |        |      |        |       |      | ISOLATOR, Shift Lever                   |
| 3    | 00124934    | 1   |      |        |      |        |       |      | NUT, Hex Jam, .50-20, Lock<br>(.500-20) |



**VIPER GTS COUPE,VIPER RT/10 ROADSTER (SR)**

|                |           |                       |                           |                                   |
|----------------|-----------|-----------------------|---------------------------|-----------------------------------|
| SERIES         | LINE      | BODY                  | ENGINE                    | TRANSMISSION                      |
| S = RT/10      | D = DODGE | 27 = 2-DR CONVERTIBLE | EWB = 8.0L V10 SFI Engine | DEC = 6-Speed Manual Transmission |
| S = GTS Coupe  |           | 29 = SPECIALTY COUPE  |                           | DBB = All Manual Transmissions    |
| X = GTS/Lemans |           |                       |                           |                                   |

AR = use ase required - = Non illustrated part

# Group - 22

## Wheels, Covers and Jacks

### Group - 22 Wheels, Covers and Jacks

Illustration Title

Group-Fig. No.

#### Wheels and Hardware

Wheels And Hardware ..... Fig. 22 - 110

#### Wheel Covers and Center Caps

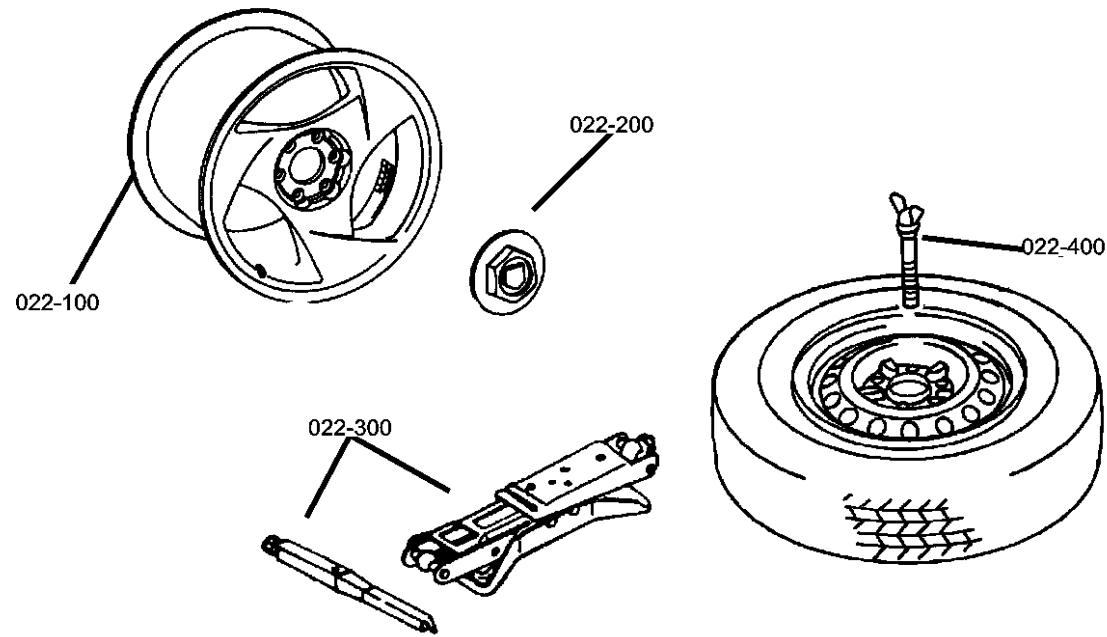
Caps, Wheel ..... Fig. 22 - 210

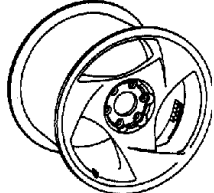

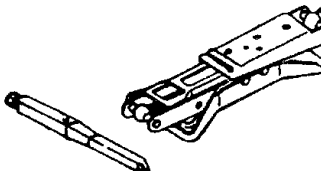
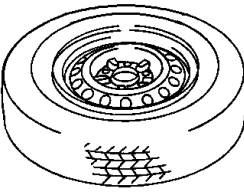
#### Jack Stowage

Jack Stowage ..... Fig. 22 - 310

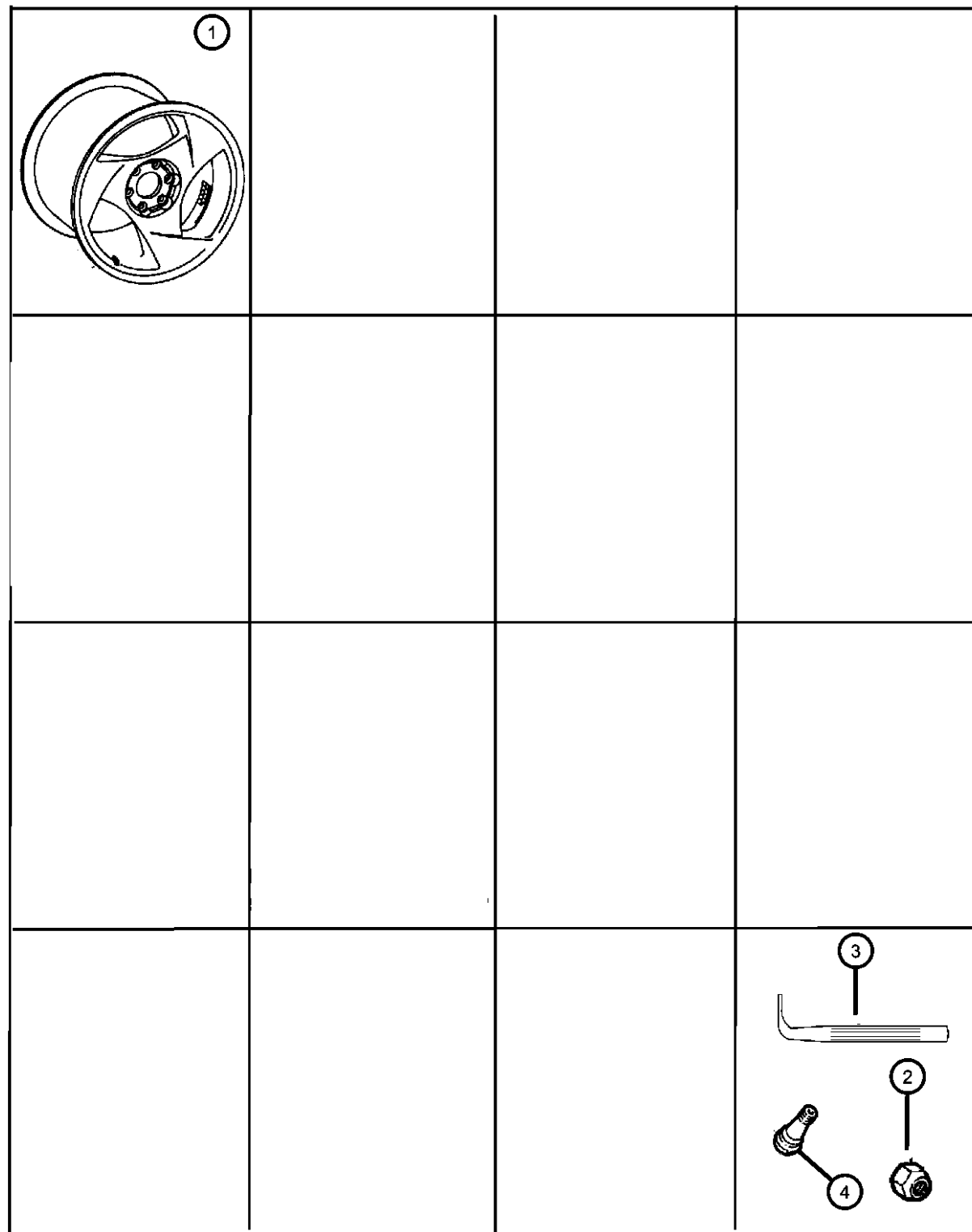
#### Spare Tire Stowage

Wheel, Spare ..... Fig. 22 - 410



|   |  |   |  |
|---|--|---|--|
| <p><b>022-100</b><br/>Wheels and Hardware</p>  | <p><b>022-200</b><br/>Wheel Covers and Center Caps</p>  | <p><b>022-300</b><br/>Jack Stowage</p>  | <p><b>022-400</b><br/>Spare Tire Stowage</p>  |
|---|--|---|--|

**Wheels And Hardware  
Figure 22-110**



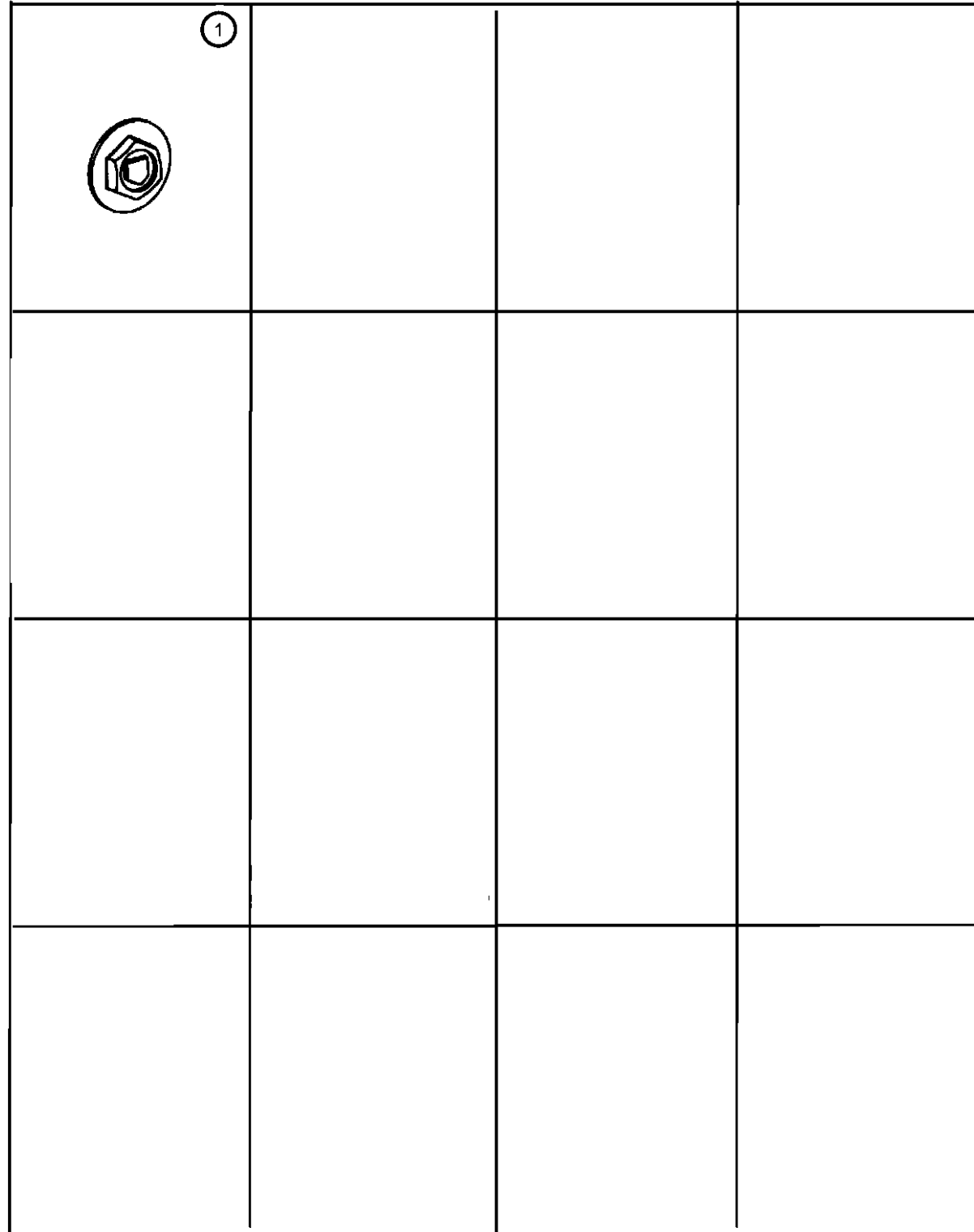
| ITEM | PART NUMBER | QTY | LINE | SERIES | BODY | ENGINE | TRANS | TRIM | DESCRIPTION              |
|------|-------------|-----|------|--------|------|--------|-------|------|--------------------------|
| 1    |             |     |      |        |      |        |       |      | WHEEL, Aluminum          |
|      | 0MC25PAK    | 2   |      |        |      |        |       |      | Silver, Front            |
|      | 0MC25PYM    | 2   |      |        |      |        |       |      | Gold, Front              |
|      | 0MC36PAK    | 2   |      |        |      |        |       |      | Silver, Rear             |
|      | 0MC36PYM    | 2   |      |        |      |        |       |      | Gold, Rear               |
|      | 0QV40SZ2AA  | 2   |      |        |      |        |       |      | Polished Aluminum, Front |
|      | 0QV41SZ2AA  | 2   |      |        |      |        |       |      | Polished Aluminum, Rear  |
| 2    | 06034958    | 24  |      |        |      |        |       |      | NUT, Hex, .50-20, Wheel  |
| 3    | 04708167    | 1   |      |        |      |        |       |      | TOOL, Wheel Cap Removal  |
| 4    | 02073355    | 1   |      |        |      |        |       |      | STEM, Wheel Valve        |

**VIPER GTS COUPE,VIPER RT/10 ROADSTER (SR)**

|                |           |                       |                           |                                   |
|----------------|-----------|-----------------------|---------------------------|-----------------------------------|
| SERIES         | LINE      | BODY                  | ENGINE                    | TRANSMISSION                      |
| S = RT/10      | D = DODGE | 27 = 2-DR CONVERTIBLE | EWB = 8.0L V10 SFI Engine | DEC = 6-Speed Manual Transmission |
| S = GTS Coupe  |           | 29 = SPECIALTY COUPE  |                           | DBB = All Manual Transmissions    |
| X = GTS/Lemans |           |                       |                           |                                   |

AR = use ase required - = Non illustrated part

**Caps, Wheel  
Figure 22-210**



| ITEM | PART NUMBER | QTY | LINE | SERIES | BODY | ENGINE | TRANS | TRIM | DESCRIPTION       |
|------|-------------|-----|------|--------|------|--------|-------|------|-------------------|
| 1    |             |     |      |        |      |        |       |      | CAP, Wheel Center |
|      | 0MC48PAK    | 4   |      |        | 27   |        |       |      | Silver [WFS]      |
|      | 0MC48PYM    | 4   |      |        | 27   |        |       |      | Gold [WFS]        |
|      | 0MC48SY4    | 4   |      |        | 27   |        |       |      | Yellow [WFS]      |
|      | 0PU30SZ2AB  | 4   |      |        |      |        |       |      | Aluminum [WFL]    |

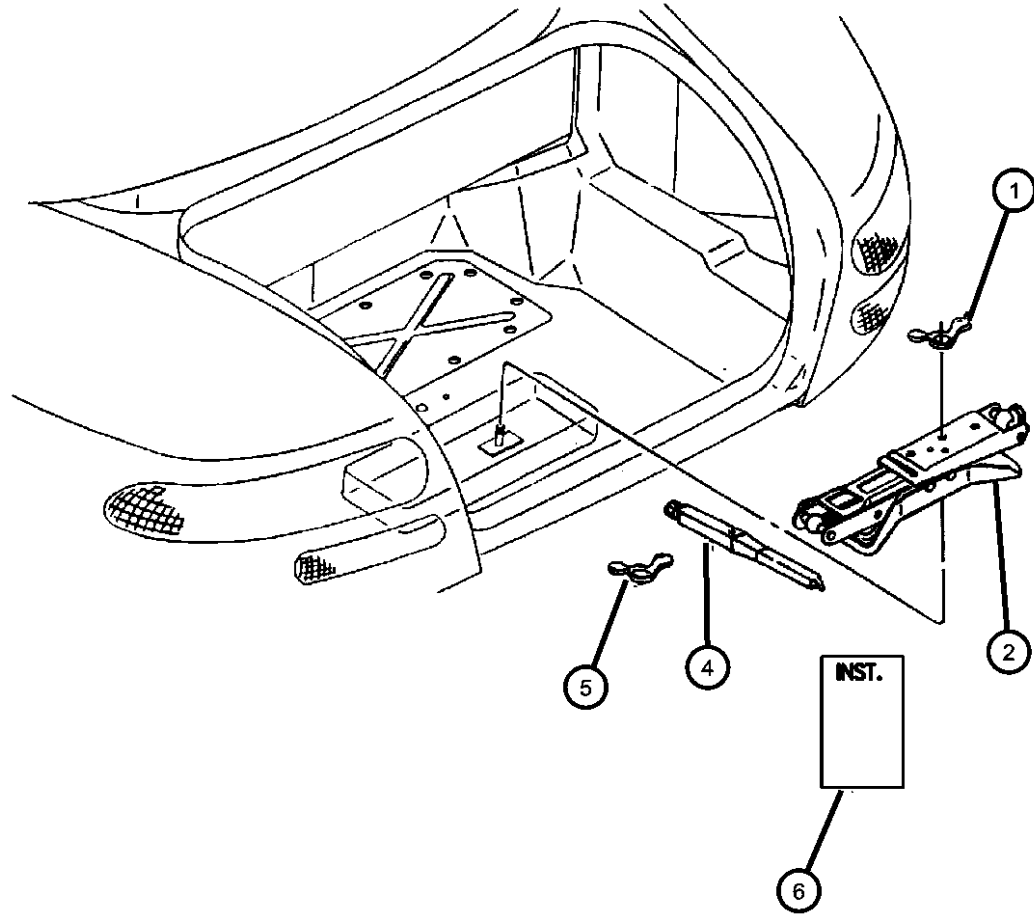
**VIPER GTS COUPE,VIPER RT/10 ROADSTER (SR)**

|                |           |                       |                           |                                   |
|----------------|-----------|-----------------------|---------------------------|-----------------------------------|
| SERIES         | LINE      | BODY                  | ENGINE                    | TRANSMISSION                      |
| S = RT/10      | D = DODGE | 27 = 2-DR CONVERTIBLE | EWB = 8.0L V10 SFI Engine | DEC = 6-Speed Manual Transmission |
| S = GTS Coupe  |           | 29 = SPECIALTY COUPE  |                           | DBB = All Manual Transmissions    |
| X = GTS/Lemans |           |                       |                           |                                   |

AR = use ase required - = Non illustrated part

**Jack Stowage**  
**Figure 22-310**

| ITEM | PART NUMBER | QTY | LINE | SERIES | BODY | ENGINE | TRANS | TRIM | DESCRIPTION                                      |
|------|-------------|-----|------|--------|------|--------|-------|------|--|
| 1    | 04512493    | 1   |      |        |      |        |       |      | WINGNUT, Jack and Tire Hold Down, Jack Hold Down |
| 2    | 04695774    | 1   |      |        |      |        |       |      | JACK, Scissor                                    |
| -3   |             |     |      |        |      |        |       |      | BELT, Jack Stowage                               |
|      | 04848696    | 2   |      |        | 29   |        |       |      |  |
|      |             | 2   |      |        | 27   |        |       |      |  |
| 4    | 04341383    | 1   |      |        |      |        |       |      | WRENCH, Wheel Lug Nut                            |
| 5    | 04708167    | 1   |      |        |      |        |       |      | TOOL, Wheel Cap Removal                          |
| 6    | 04708087    | 1   |      |        |      |        |       |      | LABEL, Tire Storage, Jacking Instructions        |
| -7   | 05256549    | 1   |      |        |      |        |       |      | BAG, Jack Tool Storage, Tool Stowage             |



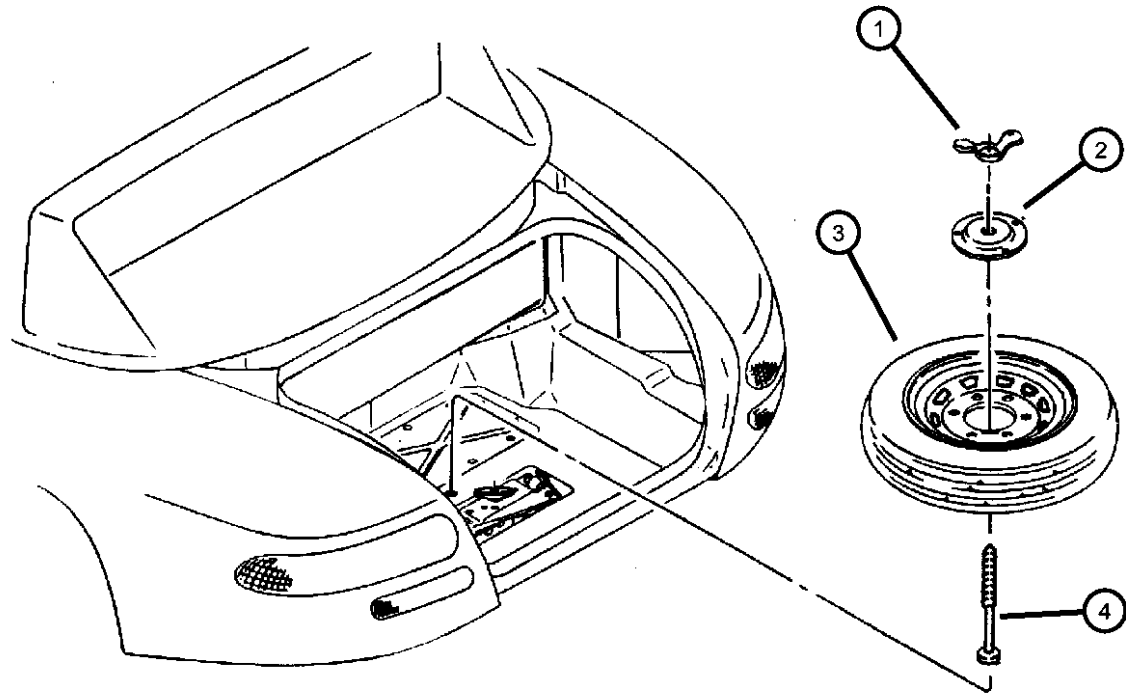
**VIPER GTS COUPE,VIPER RT/10 ROADSTER (SR)**

| SERIES         | LINE      | BODY                  | ENGINE                    | TRANSMISSION                      |
|----------------|-----------|-----------------------|---------------------------|-----------------------------------|
| S = RT/10      | D = DODGE | 27 = 2-DR CONVERTIBLE | EWB = 8.0L V10 SFI Engine | DEC = 6-Speed Manual Transmission |
| S = GTS Coupe  |           | 29 = SPECIALTY COUPE  |                           | DBB = All Manual Transmissions    |
| X = GTS/Lemans |           |                       |                           |                                   |

AR = use ase required - = Non illustrated part

Wheel, Spare  
Figure 22-410

| ITEM | PART NUMBER | QTY | LINE | SERIES | BODY | ENGINE | TRANS | TRIM | DESCRIPTION                                      |
|------|-------------|-----|------|--------|------|--------|-------|------|--|
| 1    | 04512493    | 1   |      |        |      |        |       |      | WINGNUT, Jack and Tire Hold Down, Tire Hold Down |
| 2    | 04708210    | 1   |      |        |      |        |       |      | RETAINER, Spare Tire, Spare Wheel Mounting       |
| 3    | 04643212    | 1   |      |        |      |        |       |      | WHEEL, Spare, Mini-Spare, Aluminum               |
| 4    | 06033599    | 1   |      |        |      |        |       |      | BOLT, .375-16x3.75, Spare Tire Stowage           |
| -5   | 0LB98SX9AB  | 1   |      |        |      | 29     |       |      | COVER, Spare Tire, Spare Tire                    |



VIPER GTS COUPE,VIPER RT/10 ROADSTER (SR)

| SERIES         | LINE      | BODY                  | ENGINE                    | TRANSMISSION                      |
|----------------|-----------|-----------------------|---------------------------|-----------------------------------|
| S = RT/10      | D = DODGE | 27 = 2-DR CONVERTIBLE | EWB = 8.0L V10 SFI Engine | DEC = 6-Speed Manual Transmission |
| S = GTS Coupe  |           | 29 = SPECIALTY COUPE  |                           | DBB = All Manual Transmissions    |
| X = GTS/Lemans |           |                       |                           |                                   |

AR = use ase required - = Non illustrated part



# Group - 23D

## Wiper/Lock Cylinder and Keys

### Group - 23D Wiper/Lock Cylinder and Keys

Illustration Title

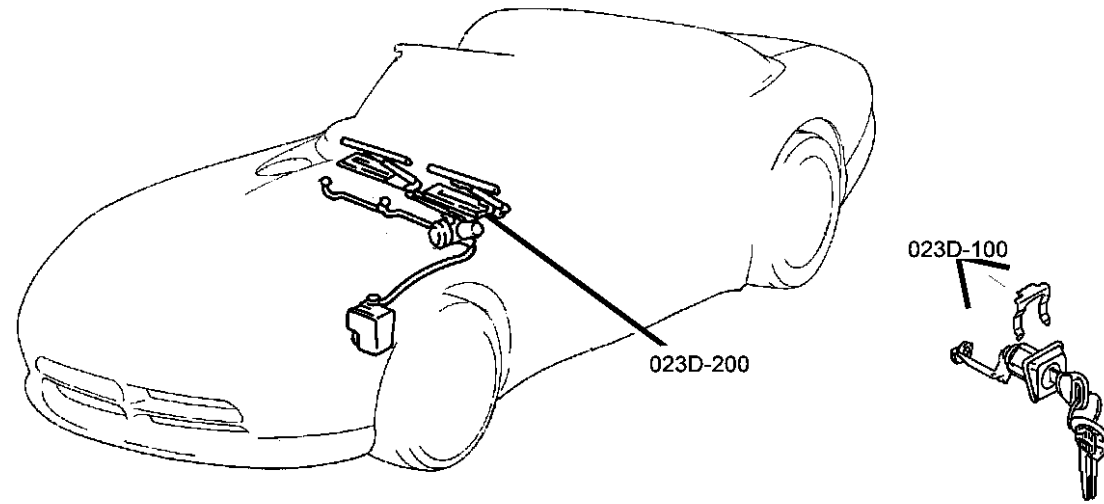
Group-Fig. No.

#### Lock Cylinders and Keys

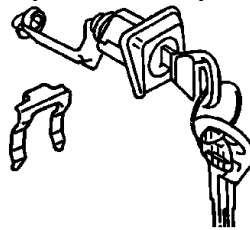
Lock Cylinders and Keys ..... Fig. 23D - 110

#### Windshield Wiper and Washer Systems

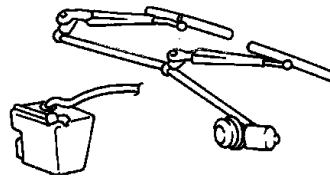
Windshield Wiper and Washer ..... Fig. 23D - 210



**23D-100**  
Lock Cylinders and Keys



**23D-200**  
Windshield Wiper and Washer Systems



**Lock Cylinders and Keys  
Figure 23D-110**

| ITEM | PART NUMBER | QTY | LINE | SERIES | BODY | ENGINE | TRANS | TRIM | DESCRIPTION |
|------|-------------|-----|------|--------|------|--------|-------|------|-------------|
|------|-------------|-----|------|--------|------|--------|-------|------|-------------|

NOTE: All Lock Cylinders are Uncoded

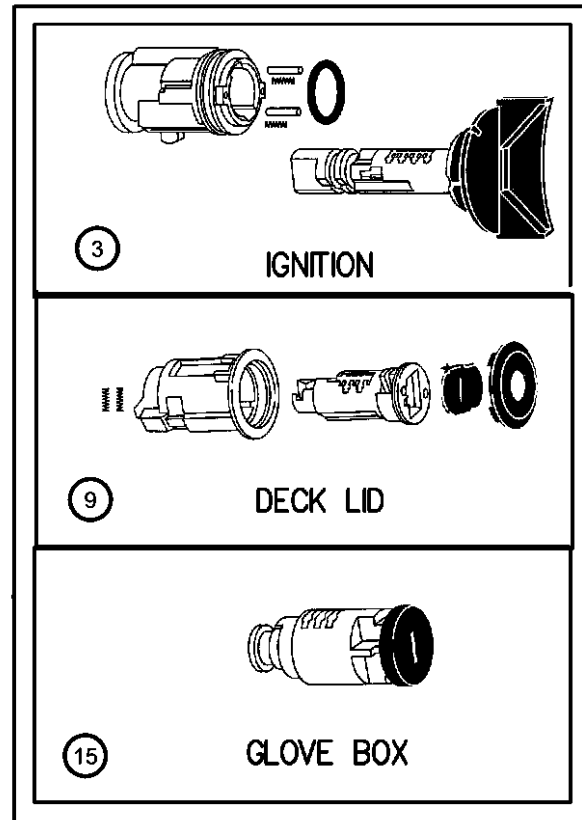
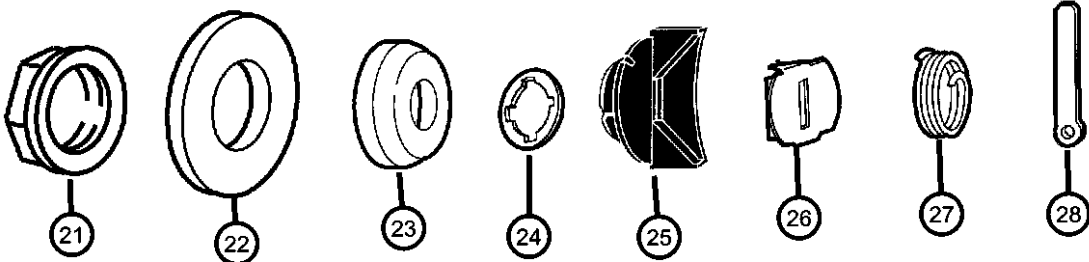
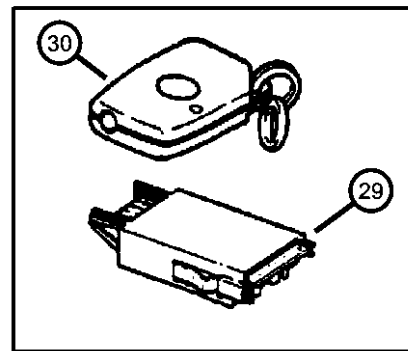
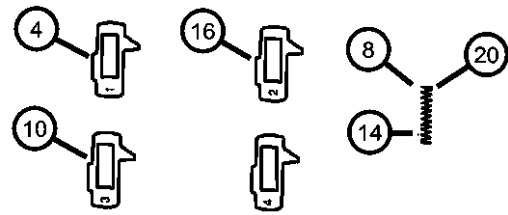
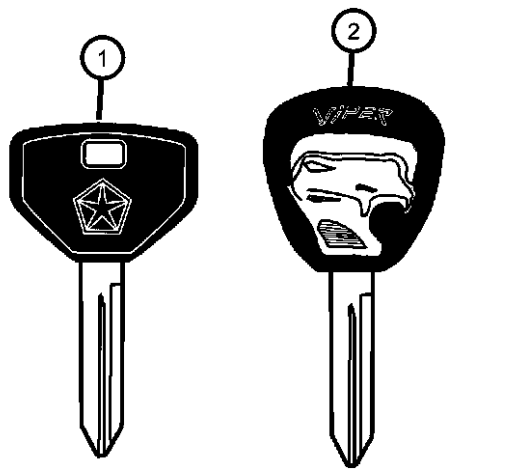
|     |            |   |  |  |    |  |  |  |   |
|-----|------------|---|--|--|----|--|--|--|---|
| 1   | 04883828AA | 1 |  |  | 29 |  |  |  | KEY, Ignition, Snake Head Logo                              |
| 2   | 55075487   | 1 |  |  |    |  |  |  | KEY, Blank  |
| 3   | 04897986AA | 1 |  |  |    |  |  |  | CYLINDER, Ignition Lock                                     |
| 4   | 04778117   | 1 |  |  | 27 |  |  |  | TUMBLER, Door and Deck Number 1, Wide, Also Ignition        |
| -5  | 04778118   | 1 |  |  | 29 |  |  |  | TUMBLER, Door and Deck Number 2, Wide, Also Ignition        |
| -6  | 04778119   | 1 |  |  | 29 |  |  |  | TUMBLER, Door and Deck Number 3, Wide, Also Ignition        |
| -7  | 04778120   | 1 |  |  | 29 |  |  |  | TUMBLER, Door and Deck Number 4, Wide, Also Ignition        |
| 8   | 04778121   | 1 |  |  | 27 |  |  |  | SPRING, Door and Deck Tumbler, Also Ignition                |
| 9   | 04778147   | 1 |  |  |    |  |  |  | CYLINDER, Deck Lid Lock, Also Ignition                      |
| 10  | 04778117   | 1 |  |  |    |  |  |  | TUMBLER, Door and Deck Number 1, Wide                       |
| -11 | 04778118   | 1 |  |  |    |  |  |  | TUMBLER, Door and Deck Number 2, Wide                       |
| -12 | 04778119   | 1 |  |  |    |  |  |  | TUMBLER, Door and Deck Number 3, Wide                       |
| -13 | 04778120   | 1 |  |  |    |  |  |  | TUMBLER, Door and Deck Number 4, Wide                       |
| 14  | 04778121   | 1 |  |  |    |  |  |  | SPRING, Door and Deck Tumbler                               |
| 15  | 04746903   | 1 |  |  |    |  |  |  | CYLINDER, Glove Box Lock                                    |
| 16  | 05257132   | 1 |  |  |    |  |  |  | TUMBLER, Ignition Number 1, Glove Box Only, Not Ignition    |
| -17 | 05257133   | 1 |  |  |    |  |  |  | TUMBLER, Ignition Number 2, Glove Box Only, Not Ignition    |
| -18 | 05257134   | 1 |  |  |    |  |  |  | TUMBLER, Ignition Number 3, Glove Box Only, Not Ignition    |
| -19 | 05257135   | 1 |  |  |    |  |  |  | TUMBLER, Ignition Number 4, Glove Box Only, Not Ignition    |
| 20  | 04746873   | 1 |  |  |    |  |  |  | SPRING, Lock Cylinder Tumbler, Glove Box Only, Not Ignition |
| 21  | 04054202   | 1 |  |  |    |  |  |  | NUT, Cylinder Lock  |
| 22  | 04848692   | 1 |  |  | 29 |  |  |  | GASKET, Key Cylinder Isolator, Decklid,w/Foam               |
| 23  | 05257163   | 1 |  |  |    |  |  |  | CAP, Lock Cylinder, Decklid, Bright                         |
| 24  | 03695321   | 1 |  |  |    |  |  |  | GASKET, Lock Cylinder                                       |
| 25  | 04740757   | 1 |  |  | 29 |  |  |  | CAP, Ignition Cylinder, Black Plastic                       |
| 26  | 04778151   | 1 |  |  |    |  |  |  | SHUTTER, Door, Deck Lid, Black                              |
| 27  | 05257245   | 1 |  |  |    |  |  |  | SPRING, Deck Lid Return                                     |
| 28  | 04723494   | 1 |  |  |    |  |  |  | LEVER, Deck Lid Lock Cylinder                               |

**VIPER GTS COUPE,VIPER RT/10 ROADSTER (SR)**

| SERIES         | LINE      | BODY                  | ENGINE                    | TRANSMISSION                      |
|----------------|-----------|-----------------------|---------------------------|-----------------------------------|
| S = RT/10      | D = DODGE | 27 = 2-DR CONVERTIBLE | EWB = 8.0L V10 SFI Engine | DEC = 6-Speed Manual Transmission |
| S = GTS Coupe  |           | 29 = SPECIALTY COUPE  |                           | DBB = All Manual Transmissions    |
| X = GTS/Lemans |           |                       |                           |                                   |

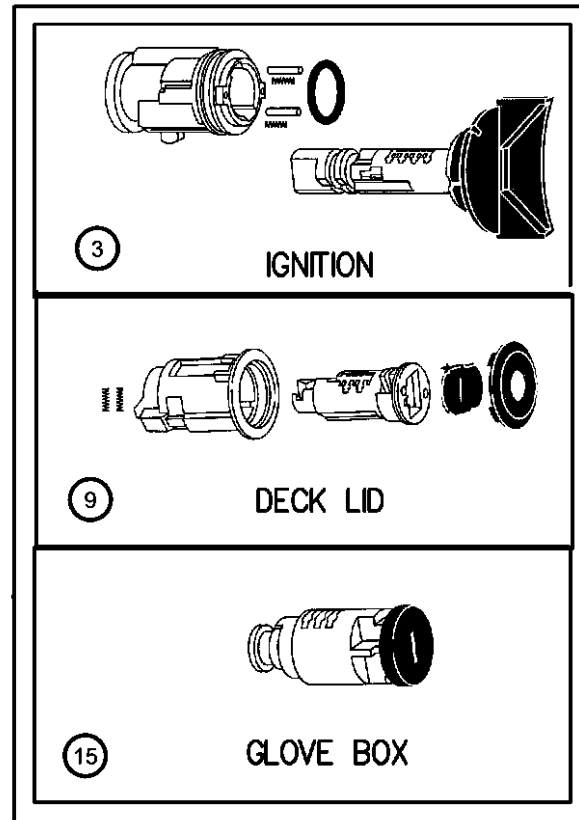
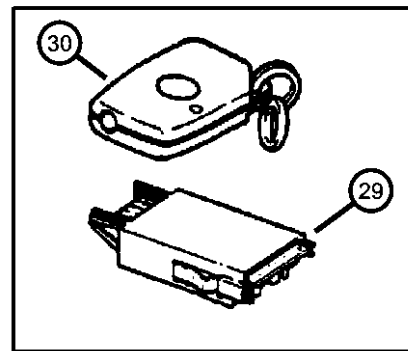
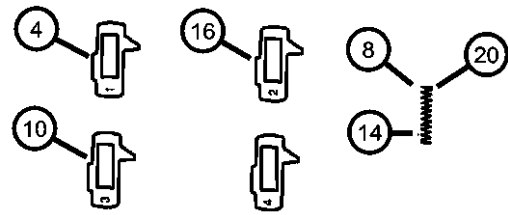
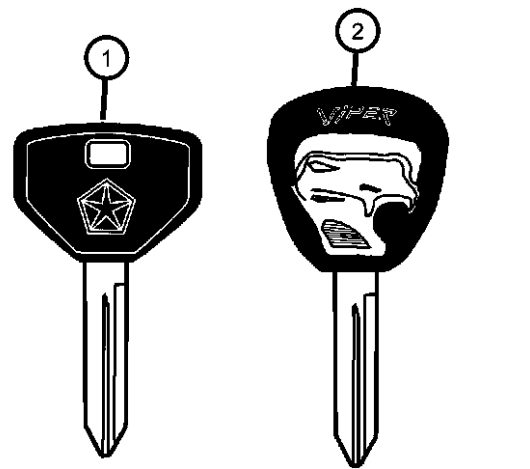
AR = use ase required - = Non illustrated part

1997 SR

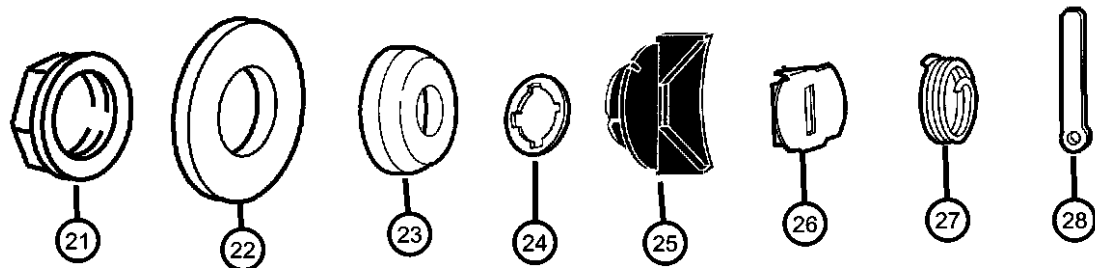


Lock Cylinders and Keys  
Figure 23D-110

| ITEM | PART NUMBER | QTY | LINE | SERIES | BODY | ENGINE | TRANS | TRIM | DESCRIPTION |
|------|-------------|-----|------|--------|------|--------|-------|------|-------------|
|------|-------------|-----|------|--------|------|--------|-------|------|-------------|



|     |            |    |  |  |  |  |  |  |                                       |
|-----|------------|----|--|--|--|--|--|--|---------------------------------------|
| 29  |            |    |  |  |  |  |  |  | MODULE, Keyless Entry Receiver Export |
|     | 04848148AC | 1  |  |  |  |  |  |  |                                       |
|     | 04848832   | 1  |  |  |  |  |  |  |                                       |
| 30  |            |    |  |  |  |  |  |  | TRANSMITTER, Keyless Entry Export     |
|     | 04848151   | AR |  |  |  |  |  |  |                                       |
|     | 05245289   | AR |  |  |  |  |  |  |                                       |
| -31 | 04848290   | 1  |  |  |  |  |  |  | STRAP, Module Mounting                |

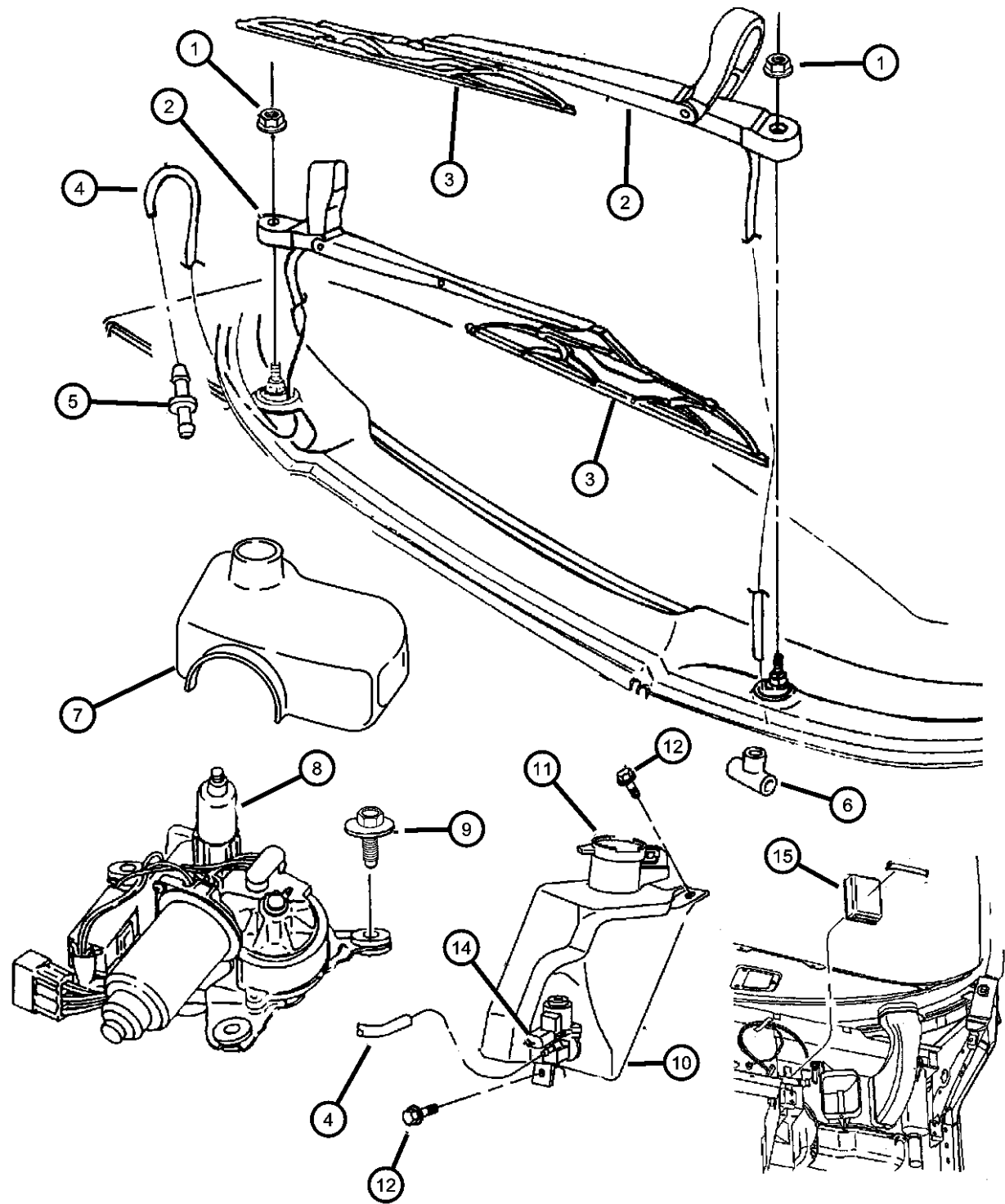


VIPER GTS COUPE,VIPER RT/10 ROADSTER (SR)

| SERIES         | LINE      | BODY                  | ENGINE                    | TRANSMISSION                      |
|----------------|-----------|-----------------------|---------------------------|-----------------------------------|
| S = RT/10      | D = DODGE | 27 = 2-DR CONVERTIBLE | EWB = 8.0L V10 SFI Engine | DEC = 6-Speed Manual Transmission |
| S = GTS Coupe  |           | 29 = SPECIALTY COUPE  |                           | DBB = All Manual Transmissions    |
| X = GTS/Lemans |           |                       |                           |                                   |

AR = use ase required - = Non illustrated part

**Windshield Wiper and Washer  
Figure 23D-210**



| ITEM | PART NUMBER | QTY | LINE | SERIES | BODY | ENGINE | TRANS | TRIM | DESCRIPTION   |
|------|-------------|-----|------|--------|------|--------|-------|------|---|
| 1    | 06101445    | 2   |      |        |      |        |       |      | NUT AND WASHER, Hex Nut-Coned Washer, M8 x 1.25, Wiper Arm Attaching ARM, Wiper |
| 2    |             |     |      |        |      |        |       |      | Right   |
|      | 04848830    | 1   |      |        |      |        |       |      | Left  |
|      | 04848831    | 1   |      |        |      |        |       |      |   |
| 3    | 04642532    | 1   |      |        |      |        |       |      | BLADE, Wiper  |
|      | WBW00016AD  |     |      |        |      |        |       |      | Mopar Alternative Winter Wiper Blades   |
|      | WB000016AE  |     |      |        |      |        |       |      | Mopar V-Line Alternative Part   |
| 4    | HWV00532    | 1   |      |        |      |        |       |      | HOSE, Washer And Vacuum, 50 Foot Roll 5/32"                                     |
| 5    | 04805010    | 1   |      |        |      |        |       |      | CHECK VALVE, Washer   |
| 6    | 04643877    | 1   |      |        |      |        |       |      | CONNECTOR, Washer Hose, In Line   |
| 7    | 04708009    | 2   |      |        |      |        |       |      | SEAL, Wiper Motor   |
| 8    |             |     |      |        |      |        |       |      | MOTOR, Wiper  |
|      | 04643065    | 1   |      |        |      |        |       |      | Right   |
|      | 04708171    | 1   |      |        |      |        |       |      | Left  |
| 9    | 06101780    | 6   |      |        |      |        |       |      | SCREW, M6x1x25, Wiper Motor Attaching   |
| 10   | 04874876    | 1   |      |        |      |        |       |      | RESERVOIR, Washer   |
| 11   | 04797694    | 1   |      |        |      |        |       |      | CAP, Washer Reservoir, Reservoir  |
| 12   | 00181063    | 3   |      |        |      |        |       |      | SCREW AND WASHER, .25-20x.75  |
| -13  | 04798779    | 1   |      |        |      |        |       |      | GROMMET, Windshield Washer Pump   |
| 14   | 04864634    | 1   |      |        |      |        |       |      | PUMP, Washer, Windshield, with Seal   |
| 15   | 04848291    | 1   |      |        |      |        |       |      | SWITCH, Windshield Wiper, without Bracket                                       |

**VIPER GTS COUPE,VIPER RT/10 ROADSTER (SR)**

|                |           |                       |                           |                                   |
|----------------|-----------|-----------------------|---------------------------|-----------------------------------|
| SERIES         | LINE      | BODY                  | ENGINE                    | TRANSMISSION                      |
| S = RT/10      | D = DODGE | 27 = 2-DR CONVERTIBLE | EWB = 8.0L V10 SFI Engine | DEC = 6-Speed Manual Transmission |
| S = GTS Coupe  |           | 29 = SPECIALTY COUPE  |                           | DBB = All Manual Transmissions    |
| X = GTS/Lemans |           |                       |                           |                                   |

AR = use ase required - = Non illustrated part

# Group - 24

## Air Conditioning & Heater

### Group - 24 Air Conditioning & Heater

Illustration Title

Group-Fig. No.

#### Air Conditioner and Heater Units

Blower Motor ..... Fig. 24 - 110  
 Hevac Unit ..... Fig. 24 - 120

#### Air Conditioner and Heater Plumbing

Heater Plumbing ..... Fig. 24 - 210  
 Plumbing, A/C Unit ..... Fig. 24 - 220

#### Air Conditioner and Heater Controls

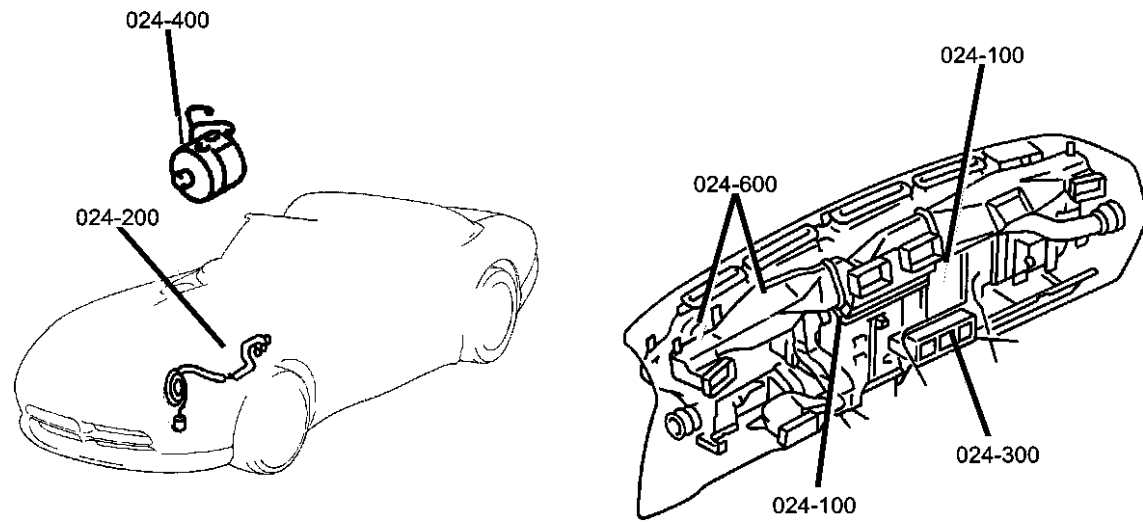
Control Assembly ..... Fig. 24 - 310

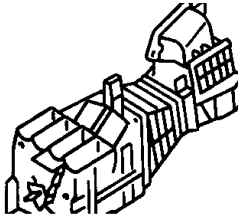
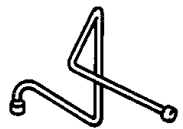
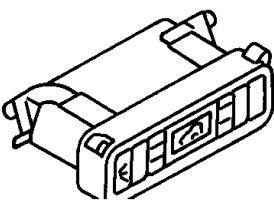
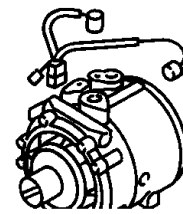
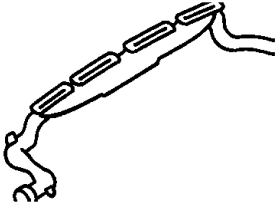
#### Air Conditioning Compressor

Compressor, A/C ..... Fig. 24 - 410

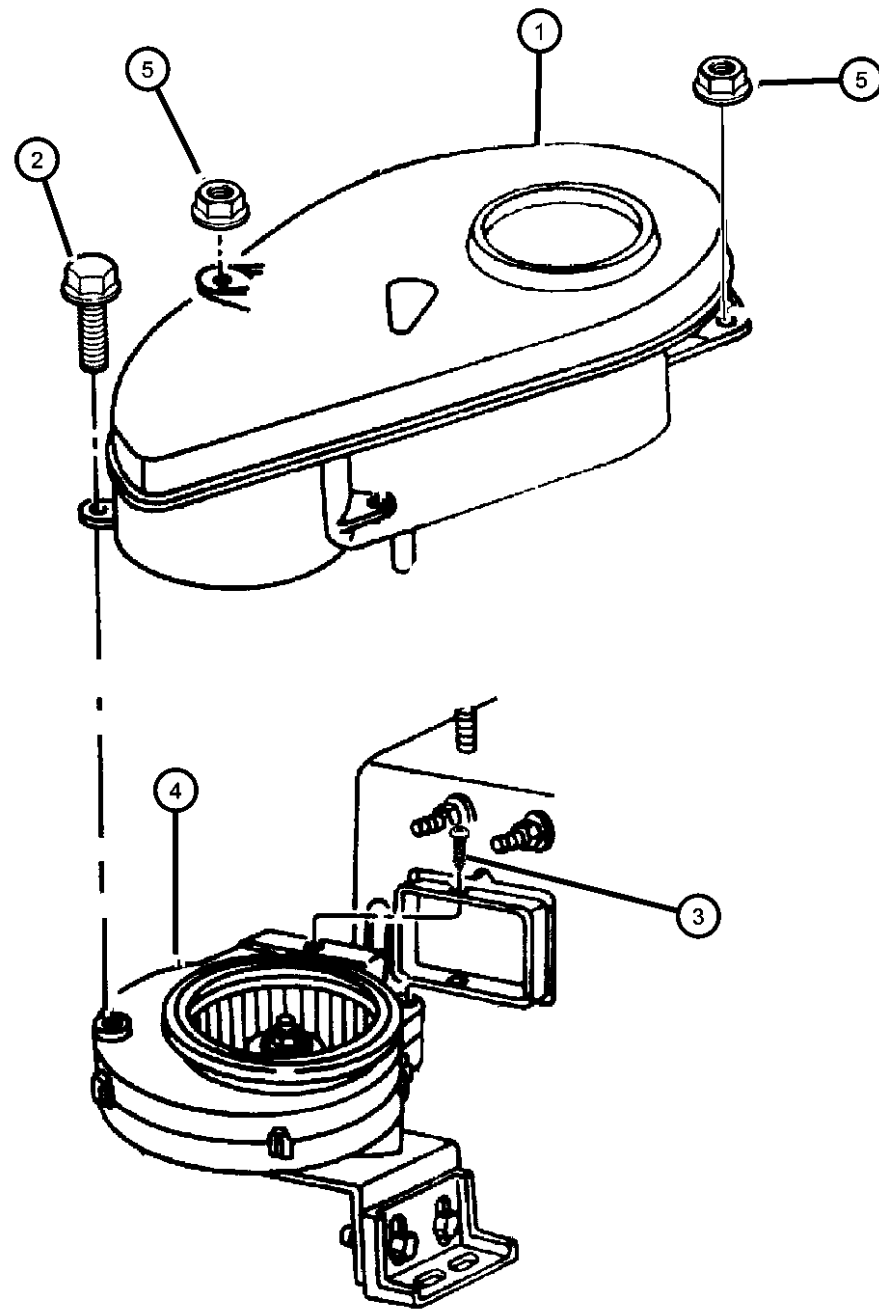
#### Air Ducts and Outlets

Vents And Outlets ..... Fig. 24 - 610



|  |   |  |   |
|--|---|--|---|
| <p><b>024-100</b><br/>Air Conditioner and Heater Units</p>  | <p><b>024-200</b><br/>Air Conditioner and Heater Plumbing</p>  | <p><b>024-300</b><br/>Air Conditioner and Heater Controls</p>  | <p><b>024-400</b><br/>Air Conditioning Compressor</p>  |
| <p><b>024-600</b><br/>Air Ducts and Outlets</p>              |   |  |   |

**Blower Motor  
Figure 24-110**



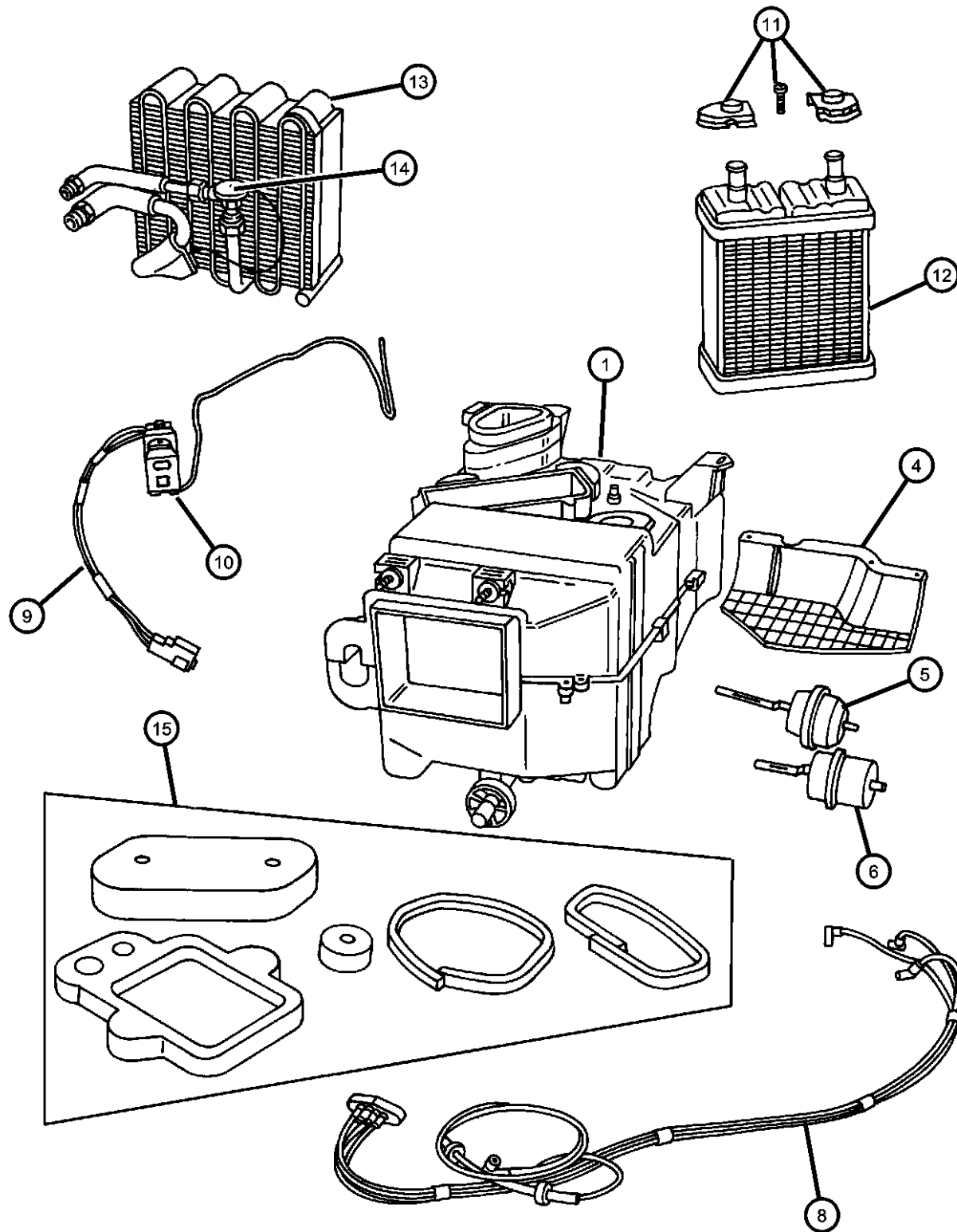
| ITEM | PART NUMBER | QTY | LINE | SERIES | BODY | ENGINE | TRANS | TRIM | DESCRIPTION   |
|------|-------------|-----|------|--------|------|--------|-------|------|---|
| 1    | 04763858AB  | 1   |      |        |      |        |       |      | PLENUM, Blower Motor Inlet, Inlet, w/Seal, Blower Motor |
| 2    | 04763858AB  | 1   |      |        |      |        |       |      | SCREW, (NOT SERVICED)                                   |
| 3    | 04763858AB  | 1   |      |        |      |        |       |      | SCREW, (NOT SERVICED)                                   |
| 4    | 04848021    | 1   |      |        |      |        |       |      | BLOWER, w/Scroll, Blower                                |
| 5    | 06100047    | 1   |      |        |      |        |       |      | NUT AND WASHER, Hex Nut-Coned Washer, M6 x 1.00         |
| -6   | 04874453    | 1   |      |        |      |        |       |      | RESISTOR, Blower Motor, Motor                           |

**VIPER GTS COUPE,VIPER RT/10 ROADSTER (SR)**

| SERIES         | LINE      | BODY                  | ENGINE                    | TRANSMISSION                      |
|----------------|-----------|-----------------------|---------------------------|-----------------------------------|
| S = RT/10      | D = DODGE | 27 = 2-DR CONVERTIBLE | EWB = 8.0L V10 SFI Engine | DEC = 6-Speed Manual Transmission |
| S = GTS Coupe  |           | 29 = SPECIALTY COUPE  |                           | DBB = All Manual Transmissions    |
| X = GTS/Lemans |           |                       |                           |                                   |

AR = use ase required - = Non illustrated part

Hevac Unit  
Figure 24-120



| ITEM | PART NUMBER | QTY | LINE | SERIES | BODY | ENGINE | TRANS | TRIM | DESCRIPTION                          |
|------|-------------|-----|------|--------|------|--------|-------|------|--------------------------------------|
| 1    | 04874423    | 1   |      |        |      |        |       |      | HOUSING, A/C And Heater              |
| -2   | 04763972AB  | 1   |      |        |      |        |       |      | DUCT, A/C And Heater, Recirculating  |
| -3   | 04874425    | 6   |      |        |      |        |       |      | CLIP, Spring                         |
| 4    | 04874422    | 1   |      |        |      |        |       |      | COVER, Heater, Actuator              |
| 5    | 04874375    | 1   |      |        |      |        |       |      | ACTUATOR, Heater Door                |
| 6    | 04874376    | 1   |      |        |      |        |       |      | ACTUATOR, Fresh Air Door             |
| -7   | 04848515    | 1   |      |        |      |        |       |      | ACTUATOR, Recirculation Door, Vacuum |
| 8    | 04874377    | 1   |      |        |      |        |       |      | HARNES, A/C And Heater Vacuum        |
| 9    | 04708364    | 1   |      |        |      |        |       |      | WIRING, Heater and A/C, Thermostat   |
| 10   | 04708205    | 1   |      |        |      |        |       |      | THERMOSTAT, Air Conditioning         |
| 11   | 04874421    | 1   |      |        |      |        |       |      | BRACKET, Heater Core                 |
| 12   | 04874374    | 1   |      |        |      |        |       |      | CORE, Heater, w/Seals                |
| 13   | 04708196    | 1   |      |        |      |        |       |      | EVAPORATOR, Air Conditioning         |
| 14   | 04709102    | 1   |      |        |      |        |       |      | VALVE, A/C Expansion, Exspansion     |
| 15   | 04874424    | 1   |      |        |      |        |       |      | SEAL KIT, A/C And Heater Unit, Seal  |

VIPER GTS COUPE,VIPER RT/10 ROADSTER (SR)

| SERIES         | LINE      | BODY                  | ENGINE                    | TRANSMISSION                      |
|----------------|-----------|-----------------------|---------------------------|-----------------------------------|
| S = RT/10      | D = DODGE | 27 = 2-DR CONVERTIBLE | EWB = 8.0L V10 SFI Engine | DEC = 6-Speed Manual Transmission |
| S = GTS Coupe  |           | 29 = SPECIALTY COUPE  |                           | DBB = All Manual Transmissions    |
| X = GTS/Lemans |           |                       |                           |                                   |

AR = use ase required - = Non illustrated part

Heater Plumbing  
Figure 24-210

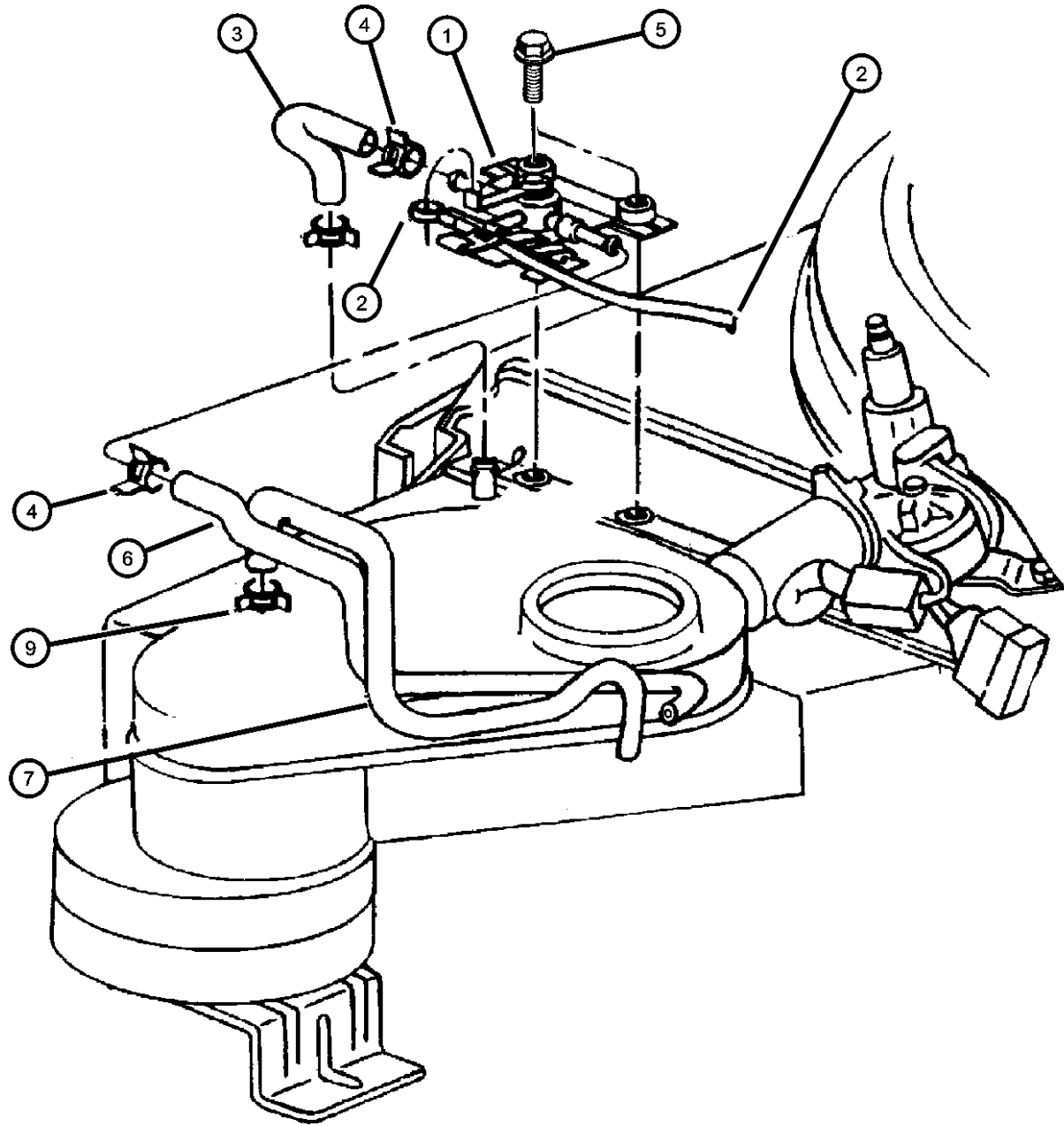
| ITEM | PART NUMBER | QTY | LINE | SERIES | BODY | ENGINE | TRANS | TRIM | DESCRIPTION |
|------|-------------|-----|------|--------|------|--------|-------|------|-------------|
|------|-------------|-----|------|--------|------|--------|-------|------|-------------|

NOTE:

Sales Codes:

EWB = 8.0L V10 SFI

|    |            |   |  |  |  |     |  |  |   |
|----|------------|---|--|--|--|-----|--|--|---|
| 1  | 04642554   | 1 |  |  |  |     |  |  | VALVE, Water Control                            |
| 2  | 04643381   | 1 |  |  |  |     |  |  | CABLE, A/C And Heater Control, Heater Control   |
| 3  | 04642555   | 1 |  |  |  |     |  |  | HOSE, Water Valve To Heater Core, Valve to Core |
| 4  | 06502017   | 2 |  |  |  |     |  |  | CLAMP, Heater Hose                              |
| 5  | 06035728   | 2 |  |  |  |     |  |  | SCREW, .190-16x1.00                             |
| 6  | 04763974   | 1 |  |  |  | EWB |  |  | HOSE, Engine to Water Valve                     |
| 7  | 04763975   | 1 |  |  |  | EWB |  |  | HOSE, Heater Core To Engine                     |
| -8 | 05245458   | 1 |  |  |  | EWB |  |  | TUBE, Heater Return, Heater Return              |
| 9  | 32003300AB | 2 |  |  |  |     |  |  | CLAMP   |



VIPER GTS COUPE,VIPER RT/10 ROADSTER (SR)

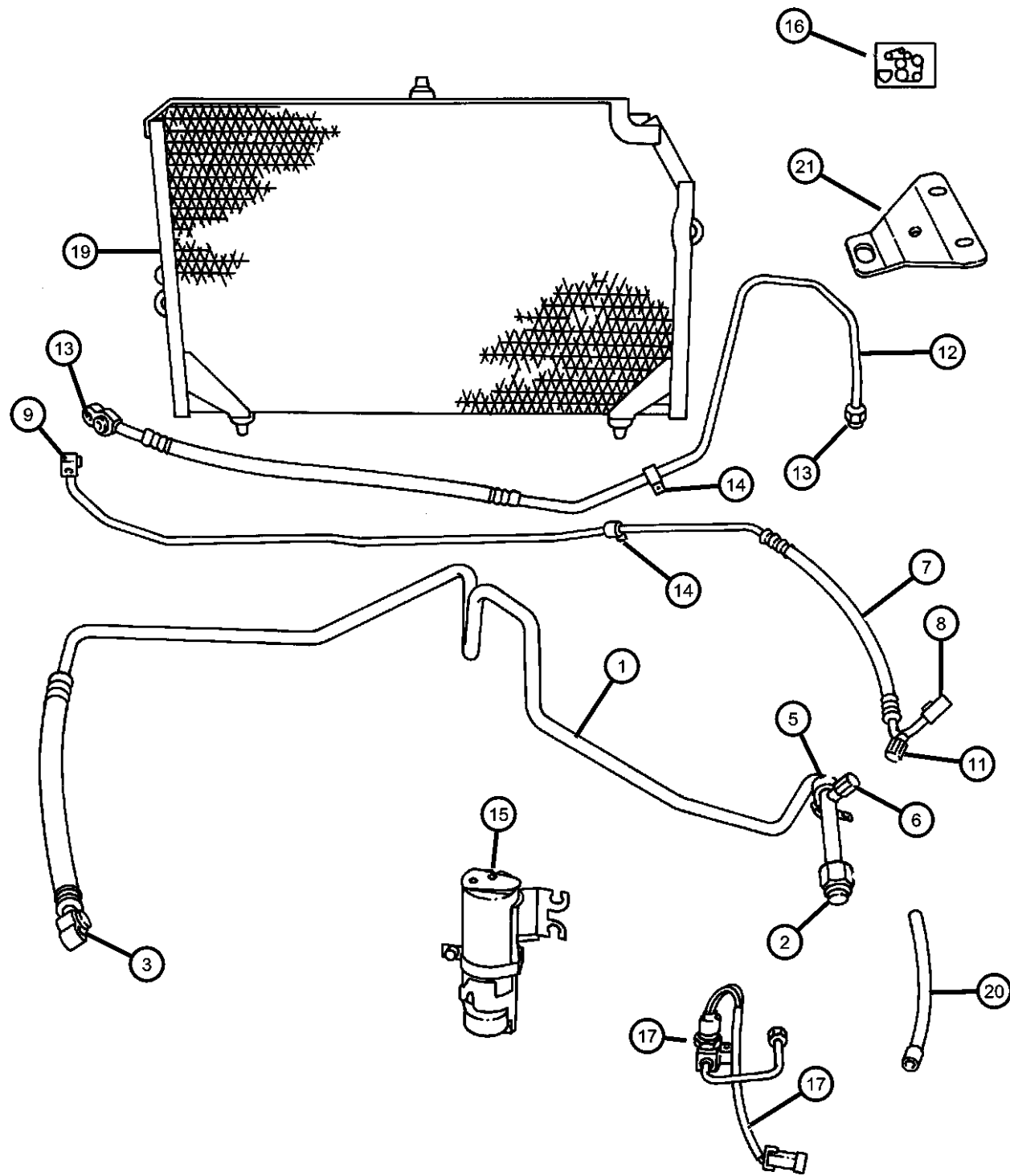
| SERIES         | LINE      | BODY                  | ENGINE                    | TRANSMISSION                      |
|----------------|-----------|-----------------------|---------------------------|-----------------------------------|
| S = RT/10      | D = DODGE | 27 = 2-DR CONVERTIBLE | EWB = 8.0L V10 SFI Engine | DEC = 6-Speed Manual Transmission |
| S = GTS Coupe  |           | 29 = SPECIALTY COUPE  |                           | DBB = All Manual Transmissions    |
| X = GTS/Lemans |           |                       |                           |                                   |

AR = use ase required - = Non illustrated part

1997 SR



Plumbing, A/C Unit  
Figure 24-220



| ITEM | PART NUMBER | QTY | LINE | SERIES | BODY | ENGINE | TRANS | TRIM | DESCRIPTION  |
|------|-------------|-----|------|--------|------|--------|-------|------|--|
| 1    | 05245035    | 1   |      |        |      |        |       |      | LINE, A/C Suction  |
| 2    | 04796564    | 1   |      |        |      |        |       |      | O RING, A/C Line, 5/8 inch                               |
| 3    | 04740361    | 1   |      |        |      |        |       |      | O RING, A/C Line   |
| -4   | 05011346AA  | 1   |      |        |      |        |       |      | VALVE CORE, Service Port                                 |
| 5    | 06035583    | 2   |      |        |      |        |       |      | CLIP, Wrap Around  |
| 6    | 05264642    | 1   |      |        |      |        |       |      | CAP, A/C Check Valve                                     |
| 7    | 04848164    | 1   |      |        |      |        |       |      | LINE, A/C Liquid   |
| 8    | 05114529AA  | 1   |      |        |      |        |       |      | O RING, A/C Line, Drier                                  |
| 9    | 05114528AA  | 1   |      |        |      |        |       |      | O RING, A/C Line, Condenser                              |
| -10  | 05011346AA  | 1   |      |        |      |        |       |      | VALVE CORE, Service Port                                 |
| 11   | 05072866AA  | 1   |      |        |      |        |       |      | CAP, A/C Charge Valve                                    |
| 12   | 05245036    | 1   |      |        |      |        |       |      | LINE, A/C Discharge                                      |
| 13   | 04796565    | 2   |      |        |      |        |       |      | O RING, A/C Line   |
| 14   | 04709099    | 1   |      |        |      |        |       |      | CLIP, Discharge Line, 1/2"                               |
| 15   | 04708201    | 1   |      |        |      |        |       |      | RECEIVER DRIER, w/Bracket                                |
| 16   | 05264650    | 1   |      |        |      |        |       |      | DECAL, A/C System Specification, English                 |
| 17   | 04708204    | 1   |      |        |      |        |       |      | SWITCH, Dual Pressure                                    |
| -18  | 04848672    | 1   |      |        |      |        |       |      | TUBE, Filter Drier to Evaporator, w/Switch, Tube/Harness |
| 19   | 04708206    | 1   |      |        |      |        |       |      | CONDENSER, Air Conditioning, w/Bushings                  |
| 20   | 04708365    | 1   |      |        |      |        |       |      | HOSE, Drain, Drain                                       |
| 21   | 04709377    | 1   |      |        |      |        |       |      | BRACKET, A/C CondenserUpper                              |

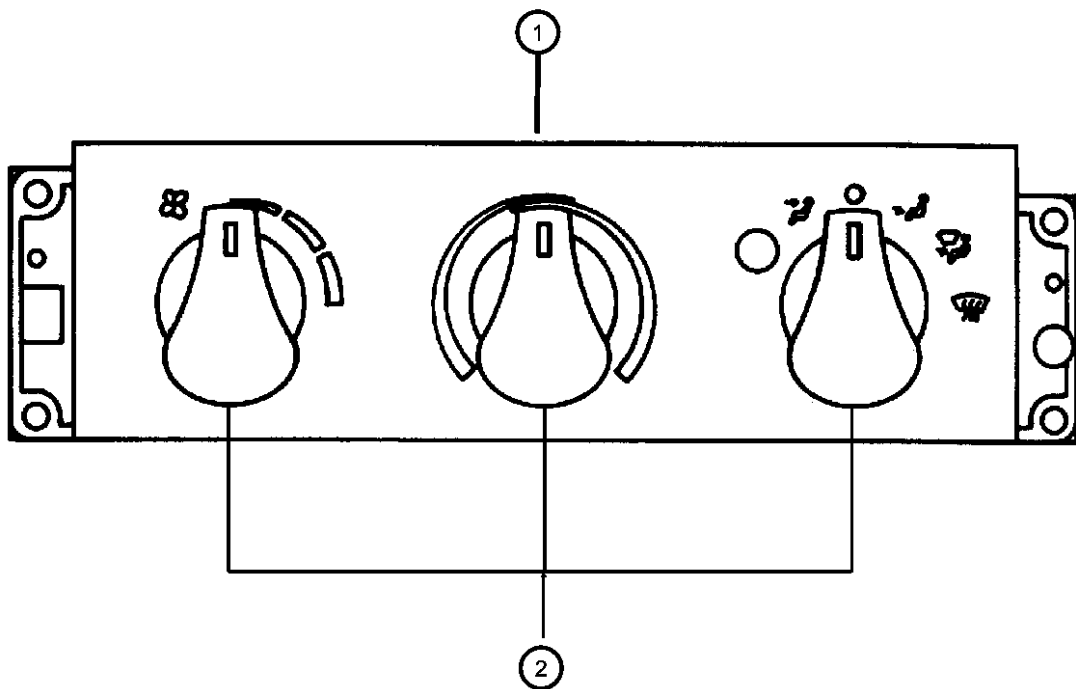
VIPER GTS COUPE,VIPER RT/10 ROADSTER (SR)

| SERIES         | LINE      | BODY                  | ENGINE                    | TRANSMISSION                      |
|----------------|-----------|-----------------------|---------------------------|-----------------------------------|
| S = RT/10      | D = DODGE | 27 = 2-DR CONVERTIBLE | EWB = 8.0L V10 SFI Engine | DEC = 6-Speed Manual Transmission |
| S = GTS Coupe  |           | 29 = SPECIALTY COUPE  |                           | DBB = All Manual Transmissions    |
| X = GTS/Lemans |           |                       |                           |                                   |

AR = use ase required - = Non illustrated part

Control Assembly  
Figure 24-310

| ITEM | PART NUMBER | QTY | LINE | SERIES | BODY | ENGINE | TRANS | TRIM | DESCRIPTION  |
|------|-------------|-----|------|--------|------|--------|-------|------|--|
| 1    | 05245298    | 1   |      |        |      |        |       |      | CONTROL, A/C And Heater, Temperature                           |
| 2    | 05245298    | 1   |      |        |      |        |       |      | KNOB, Temperature Control, Serviced in Control, (NOT SERVICED) |



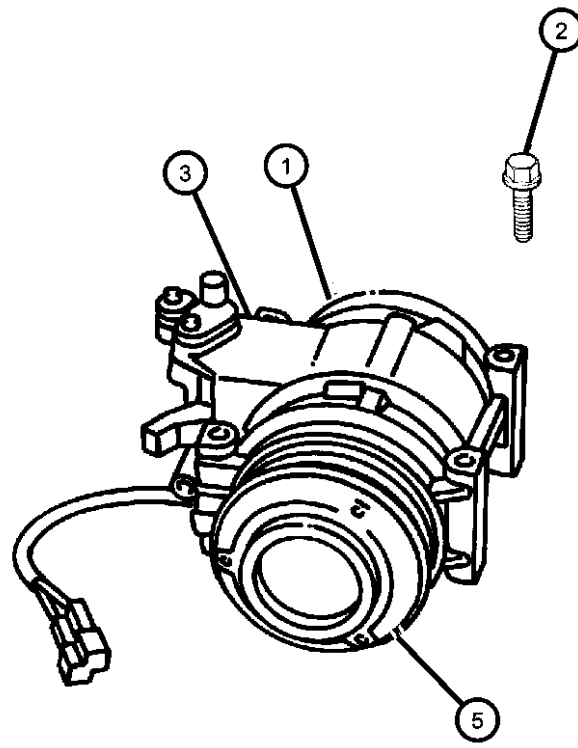
VIPER GTS COUPE,VIPER RT/10 ROADSTER (SR)

| SERIES         | LINE      | BODY                  | ENGINE                    | TRANSMISSION                      |
|----------------|-----------|-----------------------|---------------------------|-----------------------------------|
| S = RT/10      | D = DODGE | 27 = 2-DR CONVERTIBLE | EWB = 8.0L V10 SFI Engine | DEC = 6-Speed Manual Transmission |
| S = GTS Coupe  |           | 29 = SPECIALTY COUPE  |                           | DBB = All Manual Transmissions    |
| X = GTS/Lemans |           |                       |                           |                                   |

AR = use ase required - = Non illustrated part

1997 SR

Compressor, A/C  
Figure 24-410



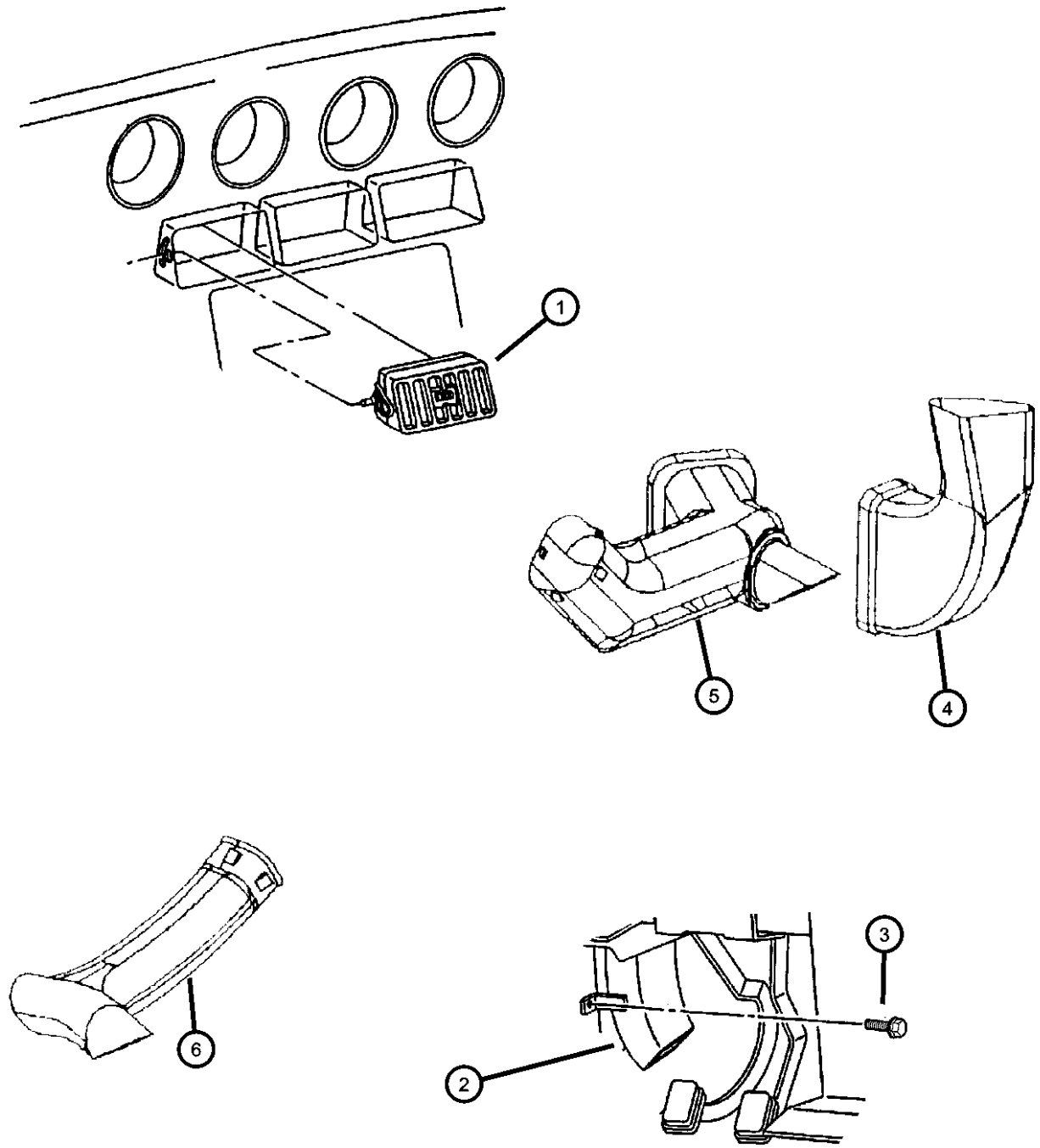
| ITEM  | PART NUMBER | QTY | LINE | SERIES | BODY | ENGINE | TRANS | TRIM | DESCRIPTION                              |
|---|-------------|-----|------|--------|------|--------|-------|------|--|
| NOTE:<br>Sales Codes:<br>EWB = 8.0L V10 SFI |             |     |      |        |      |        |       |      |  |
| 1   | 04848584    | 1   |      |        |      | EWB    |       |      | COMPRESSOR, Air Conditioning             |
| 2   | 06034244    | 4   |      |        |      | EWB    |       |      | SCREW AND WASHER, Hex Head, .312-18x3.50 |
| 3   | 04882801    | 1   |      |        |      | EWB    |       |      | MANIFOLD KIT, A/C Compressor             |
| -4  | 04728854    | 1   |      |        |      | EWB    |       |      | SEAL, Manifold To Compressor             |
| 5   | 04897330AA  | 1   |      |        |      | EWB    |       |      | PULLEY HUB KIT, A/C Compressor           |
| -6  | 05264452    | 1   |      |        |      | EWB    |       |      | CLUTCH OVERHAUL KIT, A/C Compressor      |
| -7  | 04882802    | 1   |      |        |      | EWB    |       |      | COIL, Stator, A/C Compressor Clutch      |

VIPER GTS COUPE,VIPER RT/10 ROADSTER (SR)

|                |           |                       |                           |                                   |
|----------------|-----------|-----------------------|---------------------------|-----------------------------------|
| SERIES         | LINE      | BODY                  | ENGINE                    | TRANSMISSION                      |
| S = RT/10      | D = DODGE | 27 = 2-DR CONVERTIBLE | EWB = 8.0L V10 SFI Engine | DEC = 6-Speed Manual Transmission |
| S = GTS Coupe  |           | 29 = SPECIALTY COUPE  |                           | DBB = All Manual Transmissions    |
| X = GTS/Lemans |           |                       |                           |                                   |

AR = use ase required - = Non illustrated part

Vents And Outlets  
Figure 24-610



| ITEM | PART NUMBER | QTY | LINE | SERIES | BODY | ENGINE | TRANS | TRIM | DESCRIPTION                             |
|------|-------------|-----|------|--------|------|--------|-------|------|---|
| 1    | 04462469    | 3   |      |        |      |        |       |      | AIR OUTLET, Heater and A/C, Air Outlet  |
| 2    | 04643122    | 1   |      |        |      |        |       |      | DUCT, Air Outlet, Left, Heater, Left    |
| 3    |             |     |      |        |      |        |       |      | SCREW, Self Tapping, M4.2x1.69x19.05    |
|      | 06032723    | 2   |      |        | 27   |        |       |      |   |
|      |             | 2   |      |        | 29   |        |       |      |   |
| 4    | 04848764    | 1   |      |        |      |        |       |      | ADAPTER, Defroster Duct, Defroster Duct |
| 5    | 04763113    | 1   |      |        |      |        |       |      | VENT, A/C Duct Right, Right Duct        |
| 6    | 04763111    | 1   |      |        |      |        |       |      | VENT, A/C Duct Left, Left Duct          |

VIPER GTS COUPE,VIPER RT/10 ROADSTER (SR)

| SERIES         | LINE      | BODY                  | ENGINE                    | TRANSMISSION                      |
|----------------|-----------|-----------------------|---------------------------|-----------------------------------|
| S = RT/10      | D = DODGE | 27 = 2-DR CONVERTIBLE | EWB = 8.0L V10 SFI Engine | DEC = 6-Speed Manual Transmission |
| S = GTS Coupe  |           | 29 = SPECIALTY COUPE  |                           | DBB = All Manual Transmissions    |
| X = GTS/Lemans |           |                       |                           |                                   |

AR = use ase required - = Non illustrated part

# Group - 25

## Emission Systems

### Group - 25 Emission Systems

Illustration Title

Group-Fig. No.

#### Emission Labels

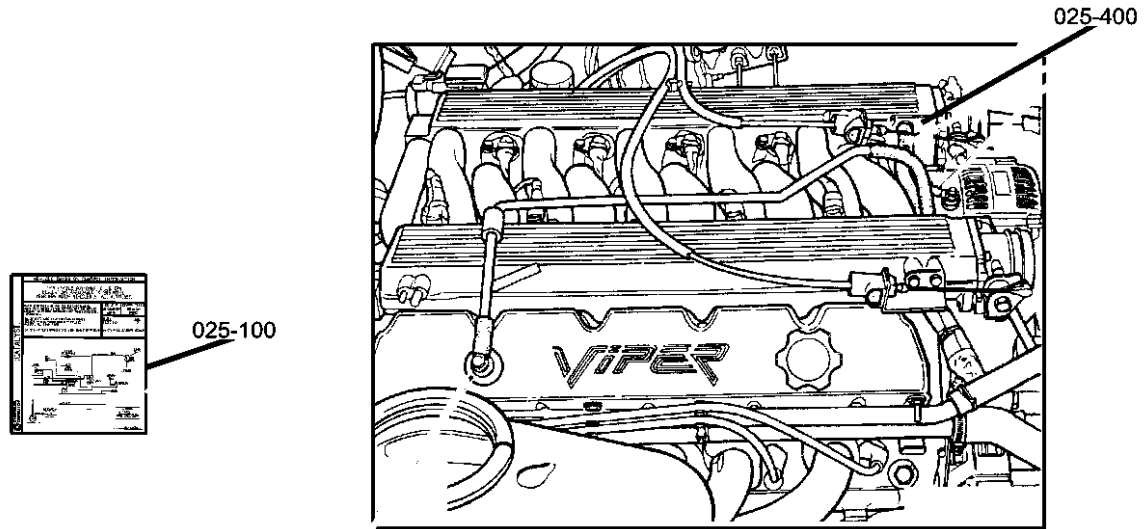
Emission Labels ..... Fig. 25 - 110

#### Vacuum Canister

Vacuum Canister ..... Fig. 25 - 310

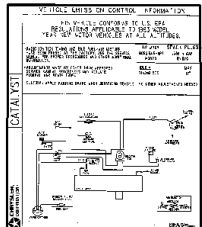
#### Emission Harness

Emission Harness ..... Fig. 25 - 410



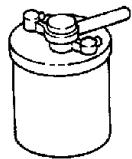
**025-100**

Emission Labels



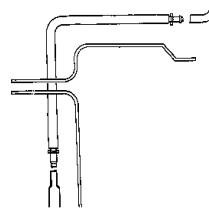
**025-300**

Vacuum Canister



**025-400**

Emission Harness



Emission Labels  
Figure 25-110

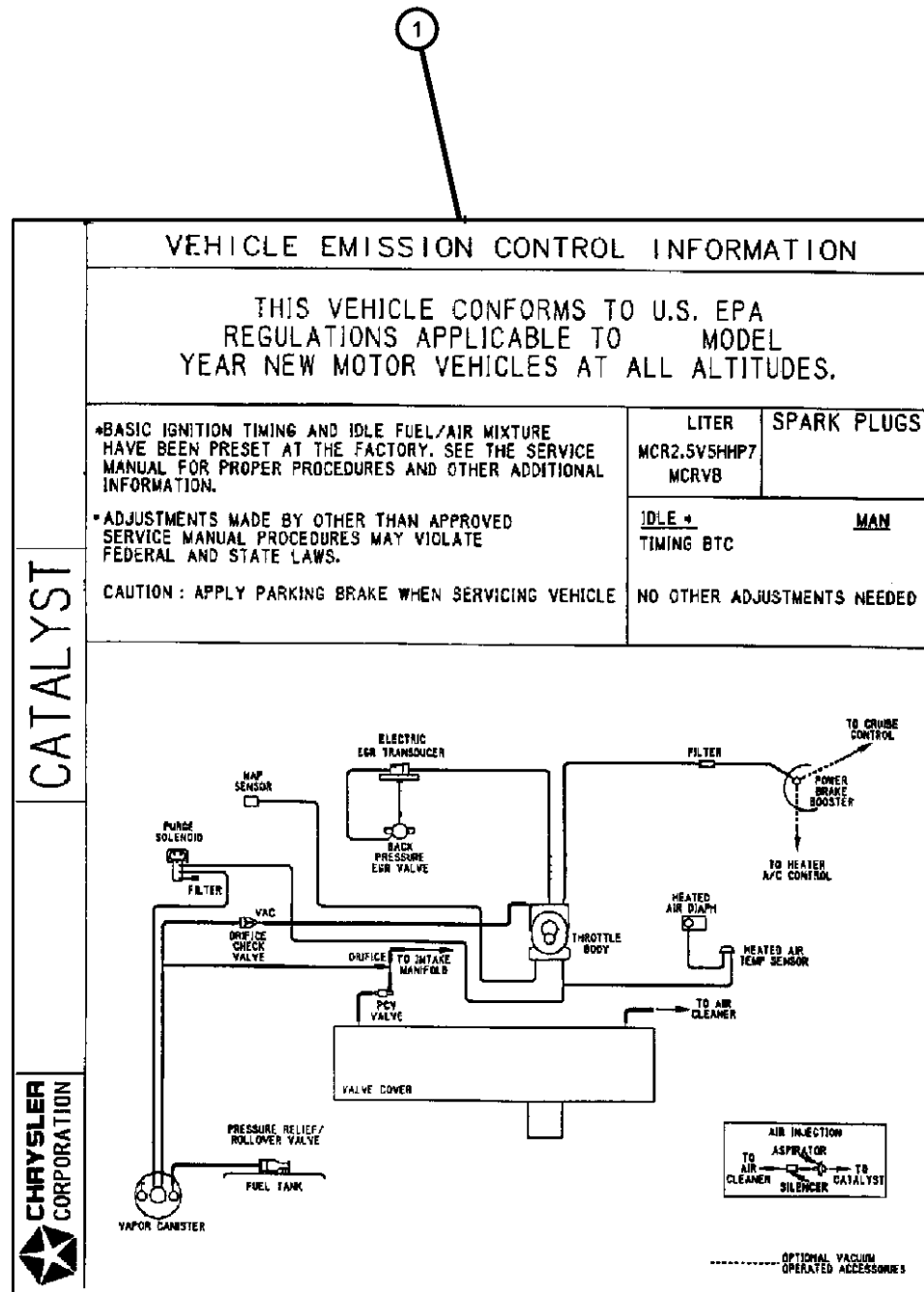
| ITEM | PART NUMBER | QTY | LINE | SERIES | BODY | ENGINE | TRANS | TRIM | DESCRIPTION |
|------|-------------|-----|------|--------|------|--------|-------|------|-------------|
|------|-------------|-----|------|--------|------|--------|-------|------|-------------|

NOTE: NAA=Federal Emissions. NAE=California Emissions.

1

|            |   |
|------------|---|
| 04848862AA | 1 |
| 04855100   | 1 |
| 04855105   | 1 |
| 04855106   | 1 |

LABEL, Emission  
Export NAA  
U.S. NAA  
Mexico/Canada NAA  
NAE



VIPER GTS COUPE, VIPER RT/10 ROADSTER (SR)

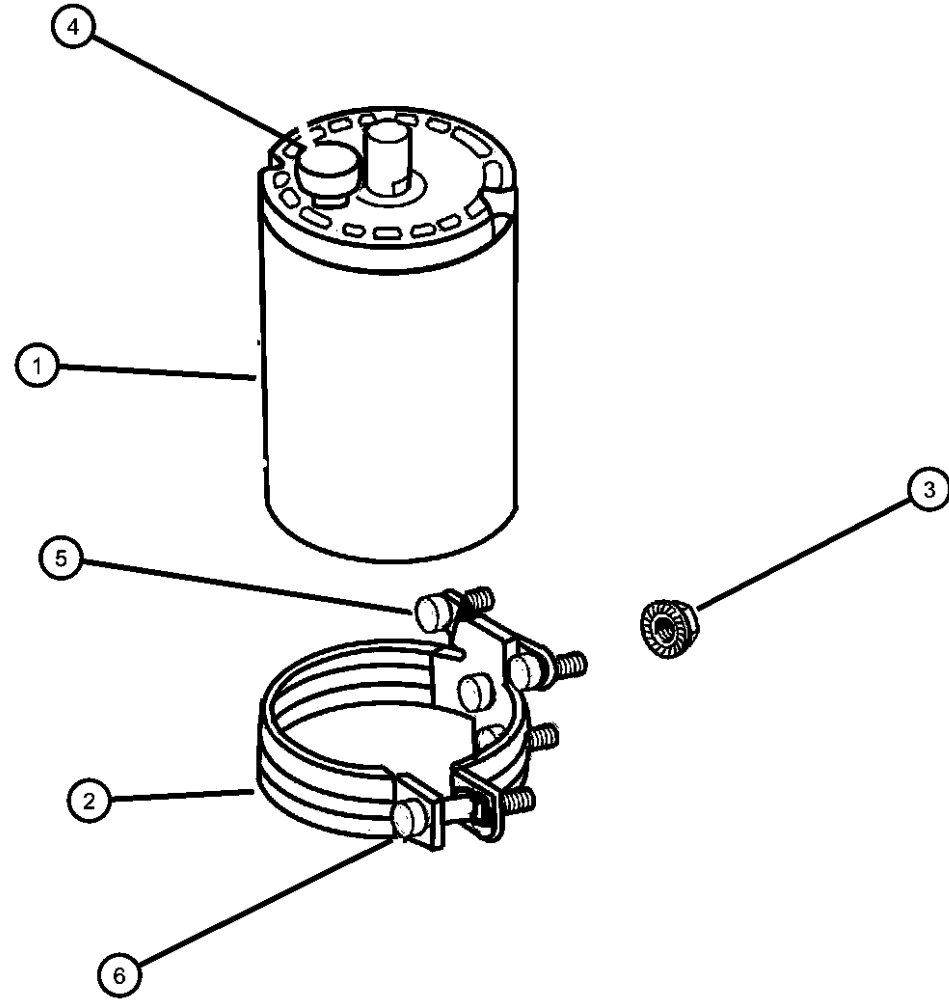
| SERIES         | LINE      | BODY                  | ENGINE                    | TRANSMISSION                      |
|----------------|-----------|-----------------------|---------------------------|-----------------------------------|
| S = RT/10      | D = DODGE | 27 = 2-DR CONVERTIBLE | EWB = 8.0L V10 SFI Engine | DEC = 6-Speed Manual Transmission |
| S = GTS Coupe  |           | 29 = SPECIALTY COUPE  |                           | DBB = All Manual Transmissions    |
| X = GTS/Lemans |           |                       |                           |                                   |

AR = use ase required - = Non illustrated part

1997 SR

Vacuum Canister  
Figure 25-310

| ITEM | PART NUMBER | QTY | LINE | SERIES | BODY | ENGINE | TRANS | TRIM | DESCRIPTION                                 |
|------|-------------|-----|------|--------|------|--------|-------|------|---|
| 1    | 53030381AB  | 1   |      |        |      |        |       |      | CANISTER, Vapor                             |
| 2    | 04288235    | 1   |      |        |      |        |       |      | BRACKET PACKAGE, Leak<br>Detection Pump     |
| 3    | 00219462    | 3   |      |        |      |        |       |      | NUT, Hex, .250-20                           |
| 4    | 04192074    | 1   |      |        |      |        |       |      | CAP, Vapor Canister, Dust, 1997             |
| 5    | 09428962    | 3   |      |        |      |        |       |      | STUD, M6X1.00X.250-14X30.00                 |
| 6    | 09430631    | 1   |      |        |      |        |       |      | BOLT, .250-20x1.50, Canister<br>Strap, 1997 |



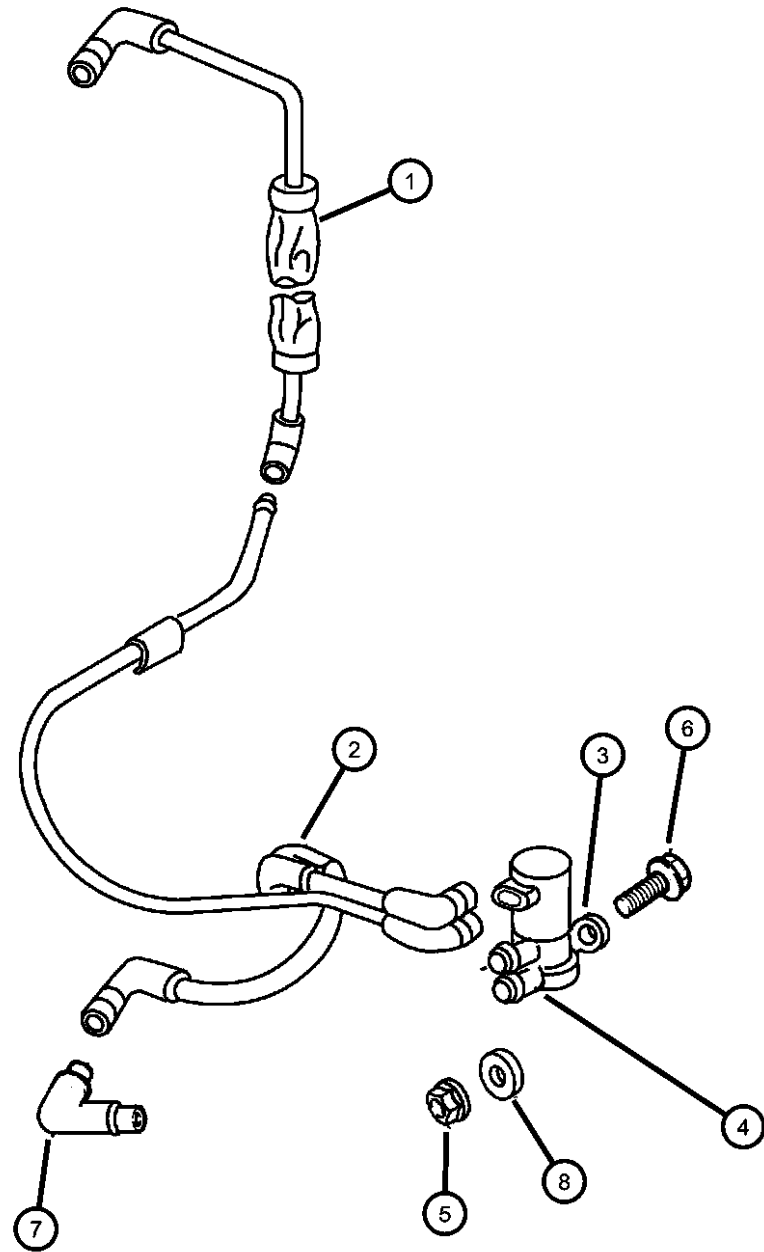
VIPER GTS COUPE,VIPER RT/10 ROADSTER (SR)

| SERIES         | LINE      | BODY                  | ENGINE                    | TRANSMISSION                      |
|----------------|-----------|-----------------------|---------------------------|-----------------------------------|
| S = RT/10      | D = DODGE | 27 = 2-DR CONVERTIBLE | EWB = 8.0L V10 SFI Engine | DEC = 6-Speed Manual Transmission |
| S = GTS Coupe  |           | 29 = SPECIALTY COUPE  |                           | DBB = All Manual Transmissions    |
| X = GTS/Lemans |           |                       |                           |                                   |

AR = use ase required - = Non illustrated part

1997 SR

**Emission Harness  
Figure 25-410**



| ITEM | PART NUMBER | QTY | LINE | SERIES | BODY | ENGINE | TRANS | TRIM | DESCRIPTION   |
|------|-------------|-----|------|--------|------|--------|-------|------|---|
| 1    | 04763804AC  | 1   |      |        |      | EWB    |       |      | HARNESS, Canister Purge   |
| 2    | 04763831AB  | 1   |      |        |      |        |       |      | HARNESS, Purge Body   |
| 3    | 04762085    | 1   |      |        |      |        |       |      | BRACKET, Duty Cycle Purge Solenoid  |
| 4    | 04669475AB  | 1   |      |        |      |        |       |      | SOLENOID, Duty Cycle Purge  |
| 5    | 34201358    | 2   |      |        |      |        |       |      | NUT AND WASHER, Hex Nut-Sealing Washer, M6 x 1.00   |
| 6    | 06100270    | 2   |      |        |      |        |       |      | SCREW AND WASHER, M6x1x40   |
| 7    | 04275637    | 1   |      |        |      |        |       |      | ELBOW, Vapor Tube Harness, .25x.25 90 Degree, Duty Cycle Purge Harness, (90 Degree 1/4x1/4), 1997 |
| 8    | 03502916    | 2   |      |        |      |        |       |      | SPACER, Speed Control Servo   |

**VIPER GTS COUPE,VIPER RT/10 ROADSTER (SR)**

| SERIES         | LINE      | BODY                  | ENGINE                    | TRANSMISSION                      |
|----------------|-----------|-----------------------|---------------------------|-----------------------------------|
| S = RT/10      | D = DODGE | 27 = 2-DR CONVERTIBLE | EWB = 8.0L V10 SFI Engine | DEC = 6-Speed Manual Transmission |
| S = GTS Coupe  |           | 29 = SPECIALTY COUPE  |                           | DBB = All Manual Transmissions    |
| X = GTS/Lemans |           |                       |                           |                                   |

AR = use ase required - = Non illustrated part

1997 SR



# Group - DSR

## Doors and Related Parts

### Group - DSR Doors and Related Parts

Illustration Title

Group-Fig. No.

#### Front Door

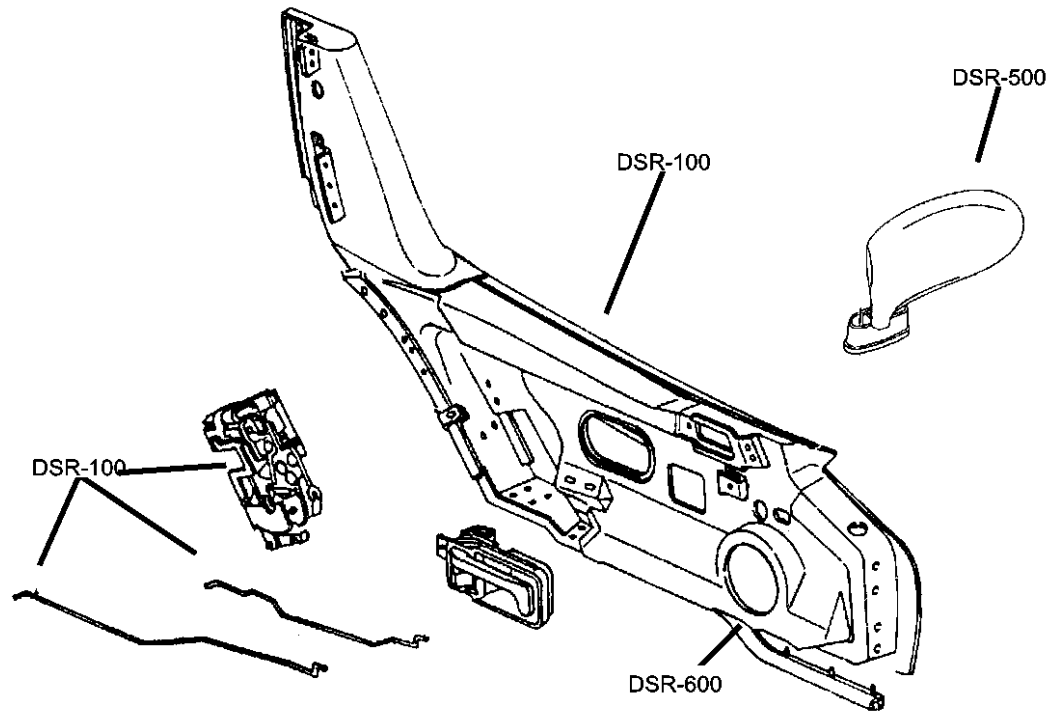
|  |                |
|--|----------------|
| Door, Front Shell And Hinges .....             | Fig. DSR - 110 |
| Door, Front Glass Viper 27 .....               | Fig. DSR - 120 |
| Door, Front Glass And Regulator Viper 29 ..... | Fig. DSR - 125 |
| Door, Front Lock And Controls .....            | Fig. DSR - 130 |

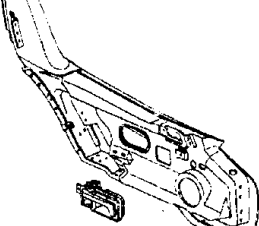
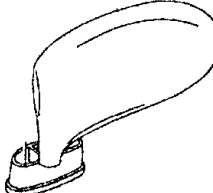

#### Exterior Mirror

|                         |                |
|-------------------------|----------------|
| Mirrors, Exterior ..... | Fig. DSR - 510 |
|-------------------------|----------------|

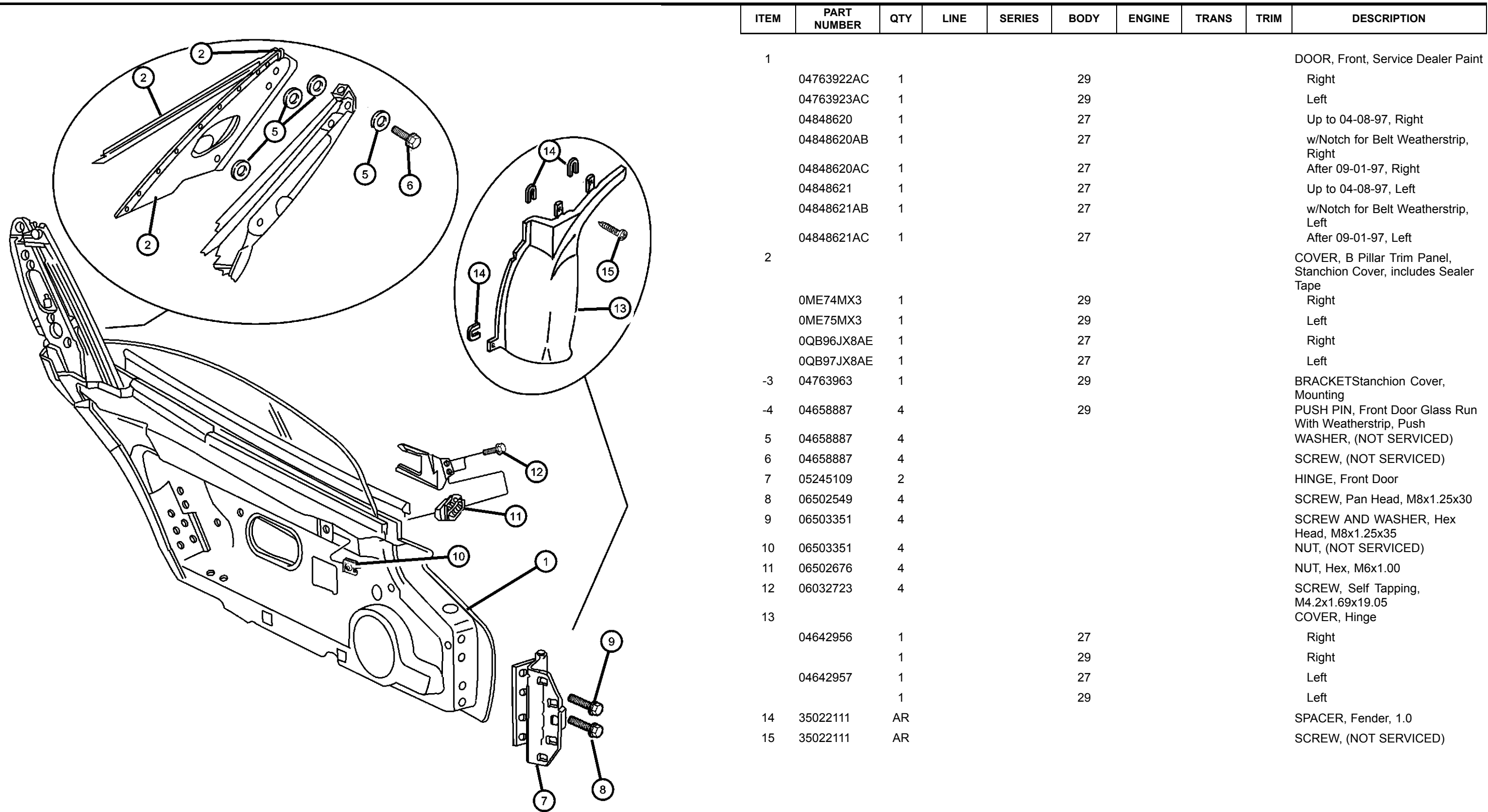
#### Weatherstrips and Seals

|  |                |
|--|----------------|
| Door, Front Seals Viper 27 .....                   | Fig. DSR - 610 |
| Door, Front Weatherstrips And Seals Viper 29 ..... | Fig. DSR - 620 |



|   |   |  |  |
|---|---|--|--|
| <p><b>DSR-100</b><br/>Front Door</p>  | <p><b>DSR-500</b><br/>Exterior Mirror</p>  | <p><b>DSR-600</b><br/>Weatherstrips and Seals</p>  |  |
|---|---|--|--|

**Door, Front Shell And Hinges  
Figure DSR-110**



| ITEM | PART NUMBER | QTY | LINE | SERIES | BODY | ENGINE | TRANS | TRIM | DESCRIPTION   |
|------|-------------|-----|------|--------|------|--------|-------|------|---|
| 1    |             |     |      |        |      |        |       |      | DOOR, Front, Service Dealer Paint                                 |
|      | 04763922AC  | 1   |      |        | 29   |        |       |      | Right   |
|      | 04763923AC  | 1   |      |        | 29   |        |       |      | Left  |
|      | 04848620    | 1   |      |        | 27   |        |       |      | Up to 04-08-97, Right   |
|      | 04848620AB  | 1   |      |        | 27   |        |       |      | w/Notch for Belt Weatherstrip, Right                              |
|      | 04848620AC  | 1   |      |        | 27   |        |       |      | After 09-01-97, Right   |
|      | 04848621    | 1   |      |        | 27   |        |       |      | Up to 04-08-97, Left  |
|      | 04848621AB  | 1   |      |        | 27   |        |       |      | w/Notch for Belt Weatherstrip, Left                               |
|      | 04848621AC  | 1   |      |        | 27   |        |       |      | After 09-01-97, Left  |
| 2    |             |     |      |        |      |        |       |      | COVER, B Pillar Trim Panel, Stanchion Cover, includes Sealer Tape |
|      | 0ME74MX3    | 1   |      |        | 29   |        |       |      | Right   |
|      | 0ME75MX3    | 1   |      |        | 29   |        |       |      | Left  |
|      | 0QB96JX8AE  | 1   |      |        | 27   |        |       |      | Right   |
|      | 0QB97JX8AE  | 1   |      |        | 27   |        |       |      | Left  |
| -3   | 04763963    | 1   |      |        | 29   |        |       |      | BRACKET Stanchion Cover, Mounting                                 |
| -4   | 04658887    | 4   |      |        | 29   |        |       |      | PUSH PIN, Front Door Glass Run With Weatherstrip, Push            |
| 5    | 04658887    | 4   |      |        |      |        |       |      | WASHER, (NOT SERVICED)  |
| 6    | 04658887    | 4   |      |        |      |        |       |      | SCREW, (NOT SERVICED)   |
| 7    | 05245109    | 2   |      |        |      |        |       |      | HINGE, Front Door   |
| 8    | 06502549    | 4   |      |        |      |        |       |      | SCREW, Pan Head, M8x1.25x30                                       |
| 9    | 06503351    | 4   |      |        |      |        |       |      | SCREW AND WASHER, Hex Head, M8x1.25x35                            |
| 10   | 06503351    | 4   |      |        |      |        |       |      | NUT, (NOT SERVICED)   |
| 11   | 06502676    | 4   |      |        |      |        |       |      | NUT, Hex, M6x1.00   |
| 12   | 06032723    | 4   |      |        |      |        |       |      | SCREW, Self Tapping, M4.2x1.69x19.05                              |
| 13   |             |     |      |        |      |        |       |      | COVER, Hinge  |
|      | 04642956    | 1   |      |        | 27   |        |       |      | Right   |
|      |             | 1   |      |        | 29   |        |       |      | Right   |
|      | 04642957    | 1   |      |        | 27   |        |       |      | Left  |
|      |             | 1   |      |        | 29   |        |       |      | Left  |
| 14   | 35022111    | AR  |      |        |      |        |       |      | SPACER, Fender, 1.0   |
| 15   | 35022111    | AR  |      |        |      |        |       |      | SCREW, (NOT SERVICED)   |

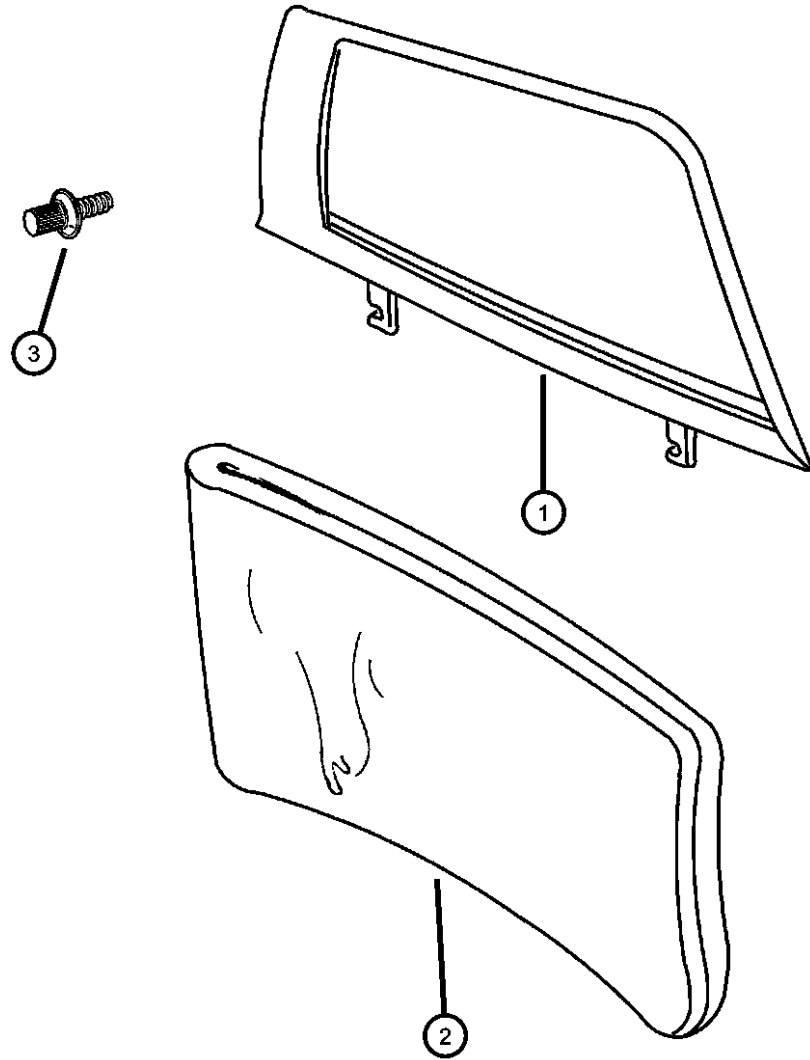
**VIPER GTS COUPE, VIPER RT/10 ROADSTER (SR)**

|                |           |                       |                           |                                   |
|----------------|-----------|-----------------------|---------------------------|-----------------------------------|
| SERIES         | LINE      | BODY                  | ENGINE                    | TRANSMISSION                      |
| S = RT/10      | D = DODGE | 27 = 2-DR CONVERTIBLE | EWB = 8.0L V10 SFI Engine | DEC = 6-Speed Manual Transmission |
| S = GTS Coupe  |           | 29 = SPECIALTY COUPE  |                           | DBB = All Manual Transmissions    |
| X = GTS/Lemans |           |                       |                           |                                   |

AR = use ase required - = Non illustrated part

Door, Front Glass Viper 27  
Figure DSR-120

| ITEM | PART NUMBER | QTY | LINE | SERIES | BODY | ENGINE | TRANS | TRIM | DESCRIPTION                                  |
|------|-------------|-----|------|--------|------|--------|-------|------|--|
| 1    |             |     |      |        |      |        |       |      | GLASS, Door                                  |
|      | 04848470    | 1   |      |        | 27   |        |       |      | Right  |
|      | 04848471    | 1   |      |        | 27   |        |       |      | Left   |
| 2    | 04848471    | 1   |      |        |      |        |       |      | STORAGE KIT, Multipurpose,<br>(NOT SERVICED) |
| 3    | 04848471    | 1   |      |        |      |        |       |      | SCREW, (NOT SERVICED)                        |



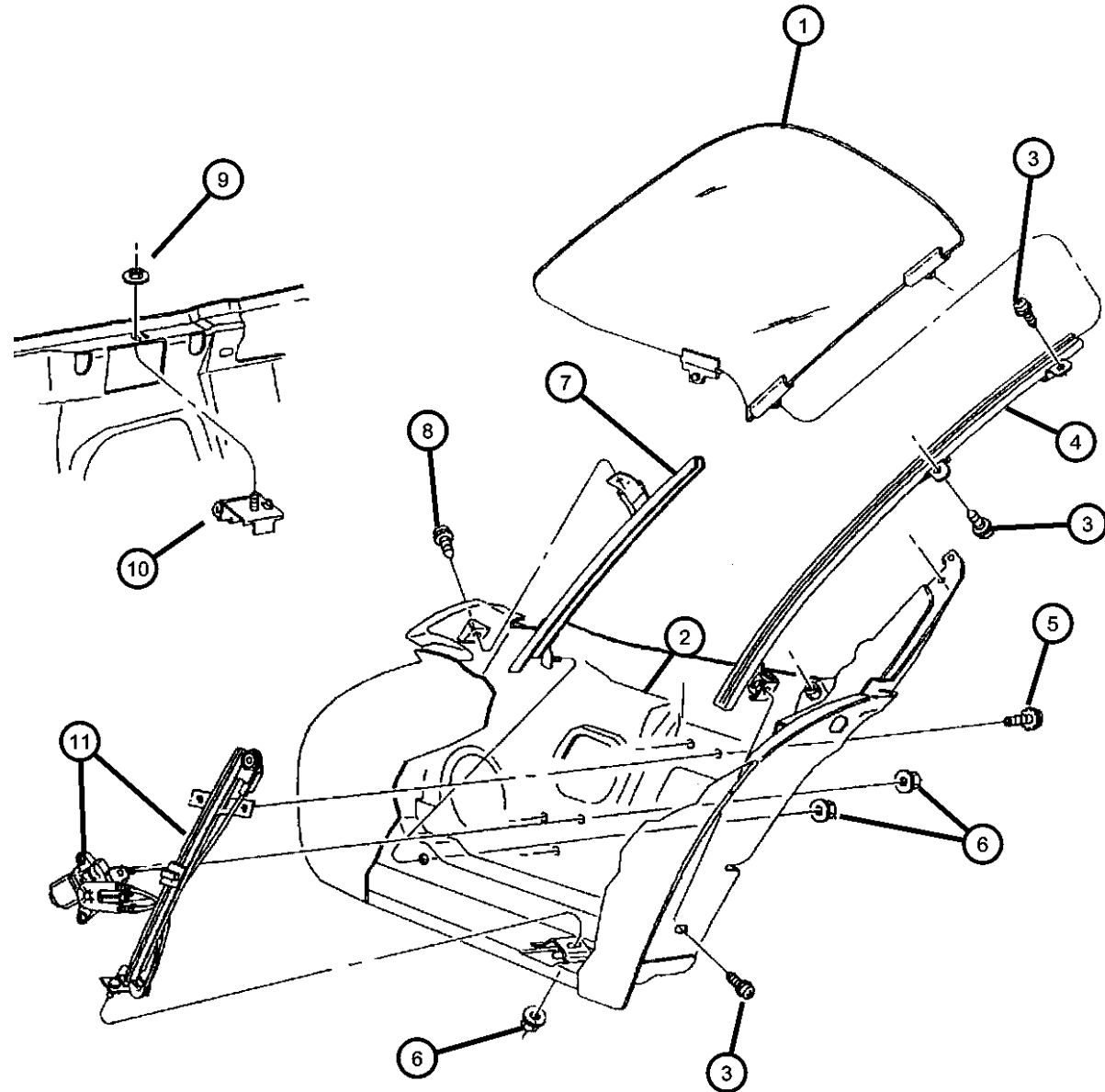
VIPER GTS COUPE,VIPER RT/10 ROADSTER (SR)

|                |           |                       |                           |                                   |
|----------------|-----------|-----------------------|---------------------------|-----------------------------------|
| SERIES         | LINE      | BODY                  | ENGINE                    | TRANSMISSION                      |
| S = RT/10      | D = DODGE | 27 = 2-DR CONVERTIBLE | EWB = 8.0L V10 SFI Engine | DEC = 6-Speed Manual Transmission |
| S = GTS Coupe  |           | 29 = SPECIALTY COUPE  |                           | DBB = All Manual Transmissions    |
| X = GTS/Lemans |           |                       |                           |                                   |

AR = use ase required - = Non illustrated part

1997 SR

**Door, Front Glass And Regulator Viper 29  
Figure DSR-125**



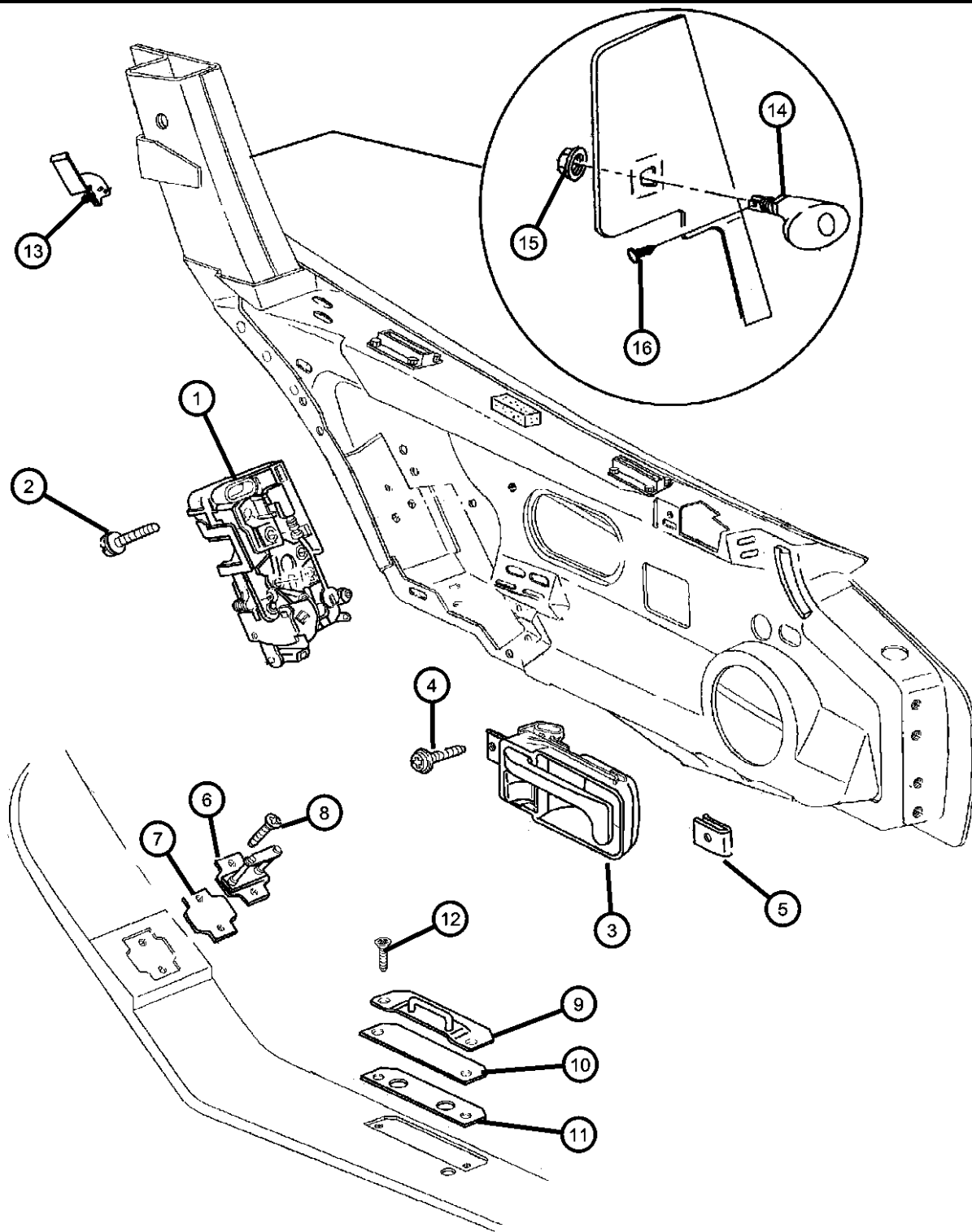
| ITEM | PART NUMBER | QTY | LINE | SERIES | BODY | ENGINE | TRANS | TRIM | DESCRIPTION  |
|------|-------------|-----|------|--------|------|--------|-------|------|--|
| 1    | 04763268    | 1   | D    |        | 29   |        |       |      | GLASS, Front Door<br>Right                         |
|      | DD09128GTY  |     |      |        |      |        |       |      | Collision Replacement Glass                        |
|      | 04763269    | 1   | D    |        | 29   |        |       |      | Left   |
| 2    | 04763280    | 1   |      |        | 29   |        |       |      | UPSTOP, Front Door Window<br>Glass                 |
|      |             | 2   |      |        | 27   |        |       |      | Glass  |
| 3    | 06501373    | 6   |      |        |      |        |       |      | SCREW AND WASHER, Hex<br>Head, M6x1x20             |
| 4    | 04763278    | 1   |      |        | 29   |        |       |      | CHANNEL, Front Door Glass<br>Right                 |
|      | 04763279    | 1   |      |        | 29   |        |       |      | Left   |
|      | 04848460    | 1   |      |        | 27   |        |       |      | Right  |
|      | 04848461    | 1   |      |        | 27   |        |       |      | Left   |
| 5    | 06504199    | 4   |      |        | 29   |        |       |      | SCREW, Hex Flange Head,<br>M6x1x12                 |
|      |             | 4   |      |        | 27   |        |       |      |  |
| 6    | 06502843    | 1   |      |        |      |        |       |      | NUT AND WASHER, Hex<br>Nut-Coned Washer, M6 x 1.00 |
| 7    | 04763284AB  | 1   |      |        | 29   |        |       |      | CHANNEL, Door Glass<br>Right                       |
|      | 04763285AB  | 1   |      |        | 29   |        |       |      | Left   |
| 8    | 06101455    | 2   |      |        |      |        |       |      | SCREW AND WASHER, Hex<br>Head, M6x1x20             |
| 9    | 06500284    | 2   |      |        | 29   |        |       |      | NUT, Hex, M6x1.00                                  |
| 10   | 04615678    | 2   |      |        | 29   |        |       |      | STABILIZER, Door Glass Belt                        |
| 11   | 04763282    | 1   |      |        | 29   |        |       |      | REGULATOR, Front Door Window<br>Right              |
|      |             | 1   |      |        | 27   |        |       |      | Right  |
|      | 04763283    | 1   |      |        | 29   |        |       |      | Left   |
|      |             | 1   |      |        | 27   |        |       |      | Left   |

**VIPER GTS COUPE,VIPER RT/10 ROADSTER (SR)**

|                |           |                       |                           |                                   |
|----------------|-----------|-----------------------|---------------------------|-----------------------------------|
| SERIES         | LINE      | BODY                  | ENGINE                    | TRANSMISSION                      |
| S = RT/10      | D = DODGE | 27 = 2-DR CONVERTIBLE | EWB = 8.0L V10 SFI Engine | DEC = 6-Speed Manual Transmission |
| S = GTS Coupe  |           | 29 = SPECIALTY COUPE  |                           | DBB = All Manual Transmissions    |
| X = GTS/Lemans |           |                       |                           |                                   |

AR = use ase required - = Non illustrated part

**Door, Front Lock And Controls**  
**Figure DSR-130**



| ITEM | PART NUMBER | QTY | LINE | SERIES | BODY | ENGINE | TRANS | TRIM | DESCRIPTION   |
|------|-------------|-----|------|--------|------|--------|-------|------|---|
| 1    |             |     |      |        |      |        |       |      | LATCH, Front Door   |
|      | 04763186    | 1   |      |        | 29   |        |       |      | Right   |
|      |             | 1   |      |        | 27   |        |       |      | Right   |
|      | 04763187    | 1   |      |        | 29   |        |       |      | Left  |
| 2    | 06501373    | 6   |      |        |      |        |       |      | SCREW AND WASHER, Hex Head, M6x1x20, Latch                                      |
| 3    |             |     |      |        |      |        |       |      | HOUSING, Door Remote Control  |
|      | 04763618    | 1   |      |        | 29   |        |       |      | Right   |
|      | 04763619    | 1   |      |        | 29   |        |       |      | Left  |
| 4    |             |     |      |        |      |        |       |      | SCREW, Pan Head, .164-18x.50  |
|      | 00154657    | 2   | D    |        | 27   |        |       |      | Housing   |
|      |             | 2   | D    |        | 29   |        |       |      | Housing   |
| 5    |             | 2   |      |        |      |        |       |      | U-NUT, (NOT SERVICED),  |
| 6    | 04643066    | 2   |      |        |      |        |       |      | STRIKER, Door Latch   |
| 7    | 04643067    | AR  |      |        |      |        |       |      | SPACER, Door Lock Striker   |
| 8    | 04643428    | 4   |      |        |      |        |       |      | SCREW, Flat Head, M8x1.25x36.3  |
| 9    | 05245098    | 2   |      |        |      |        |       |      | INTERLOCK, Door Restraint   |
| 10   | 04763553    | AR  |      |        |      |        |       |      | SPACER, Lower Door Restraint  |
| 11   | 04763554    | 2   |      |        |      |        |       |      | INSULATOR, Restraint System   |
| 12   | 06503665    | 4   |      |        |      |        |       |      | SCREW, Flange Head, M6x1x18, Interlock  |
| 13   | 06503665    | 4   |      |        |      |        |       |      | HANDLE, Inside Release, Manual Override, Serviced in Trim Panel, (NOT SERVICED) |
| 14   |             |     |      |        |      |        |       |      | HANDLE, Front Door  |
|      | 0PS20SX8    | 1   |      |        | 29   |        |       |      | Black, Right  |
|      | 0PS20TX9    | 1   |      |        | 27   |        |       |      | Flat Black, Right   |
|      | 0PS21SX8    | 1   |      |        | 29   |        |       |      | Black, Left   |
|      | 0PS21TX9    | 1   |      |        | 27   |        |       |      | Flat Black, Left  |
|      |             | 1   |      |        | 27   |        |       |      | Black, Right  |
|      |             | 1   |      |        | 29   |        |       |      | Flat Black, Right   |
|      |             | 1   |      |        | 27   |        |       |      | Black, Left   |
|      |             | 1   |      |        | 29   |        |       |      | Flat Black, Left  |
| 15   |             |     |      |        |      |        |       |      | NUT   |
|      | 05245795    | 1   |      |        | 29   |        |       |      |   |
|      |             | 1   |      |        | 27   |        |       |      |   |
| 16   | 04848479    | 2   |      |        | 29   |        |       |      | PIN, Snap, Switch Att.  |

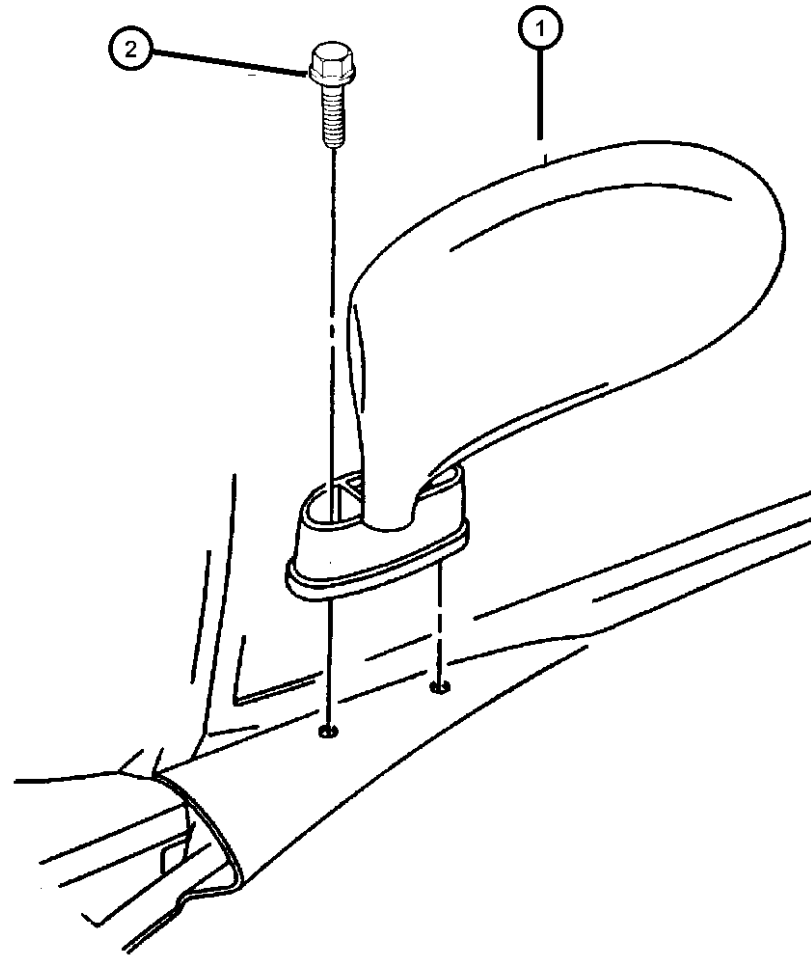
**VIPER GTS COUPE,VIPER RT/10 ROADSTER (SR)**

|                |           |                       |                           |                                   |
|----------------|-----------|-----------------------|---------------------------|-----------------------------------|
| SERIES         | LINE      | BODY                  | ENGINE                    | TRANSMISSION                      |
| S = RT/10      | D = DODGE | 27 = 2-DR CONVERTIBLE | EWB = 8.0L V10 SFI Engine | DEC = 6-Speed Manual Transmission |
| S = GTS Coupe  |           | 29 = SPECIALTY COUPE  |                           | DBB = All Manual Transmissions    |
| X = GTS/Lemans |           |                       |                           |                                   |

AR = use ase required - = Non illustrated part

Mirrors, Exterior  
Figure DSR-510

| ITEM | PART NUMBER | QTY | LINE | SERIES | BODY | ENGINE | TRANS | TRIM | DESCRIPTION   |
|------|-------------|-----|------|--------|------|--------|-------|------|---|
| 1    |             |     |      |        |      |        |       |      | MIRROR, Outside Rearview, Left<br>Side Export Use 4709434 |
|      | 04709432    | 1   |      |        |      |        |       |      | Service Dealer Paint, Right                               |
|      | 04709433    | 1   |      |        |      |        |       |      | Service Dealer Paint, Left                                |
| 2    | 04709433    | 1   |      |        |      |        |       |      | SCREW, use 6503666, (NOT<br>SERVICED),                    |



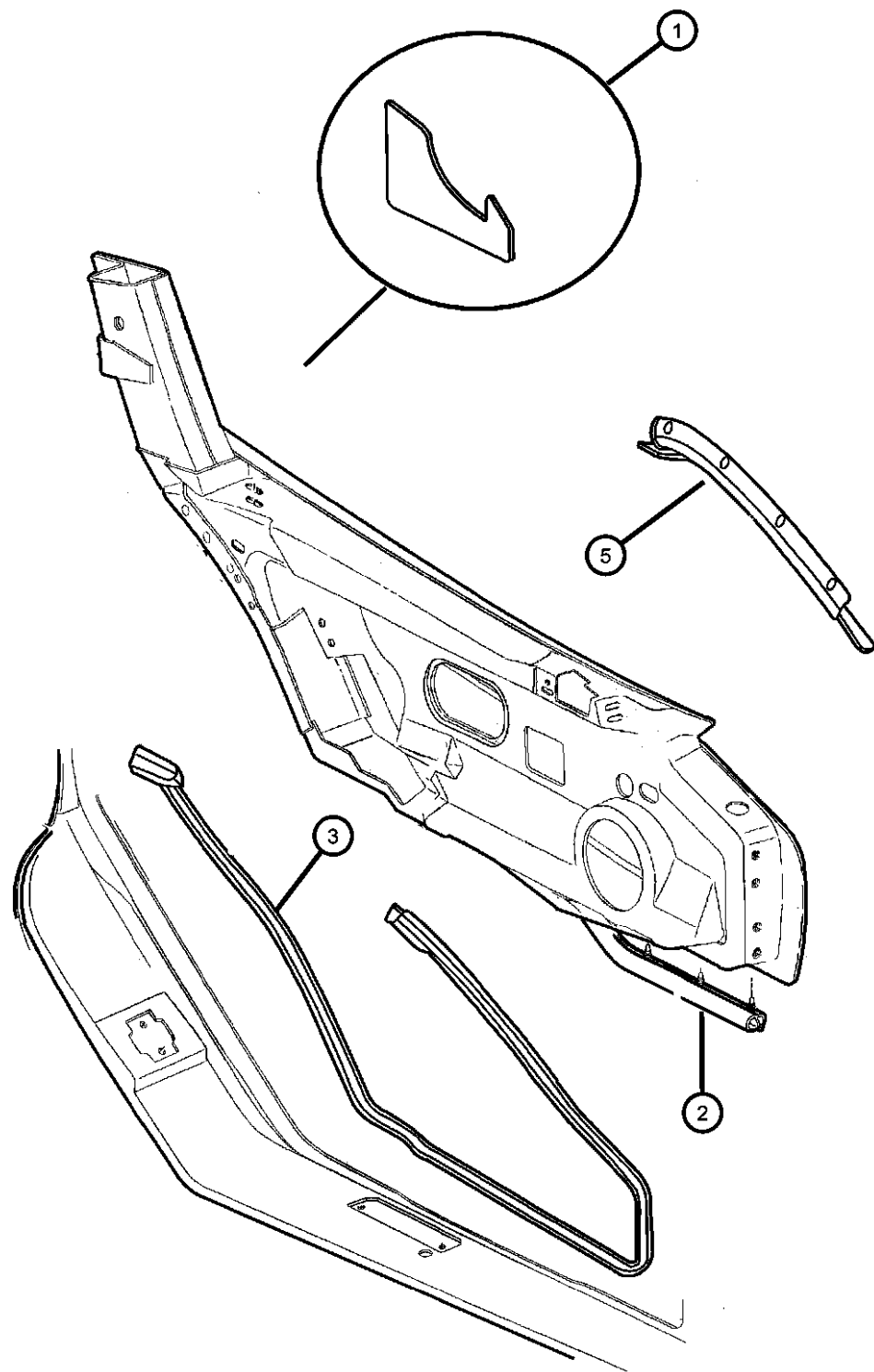
VIPER GTS COUPE,VIPER RT/10 ROADSTER (SR)

|                |           |                       |                           |                                   |
|----------------|-----------|-----------------------|---------------------------|-----------------------------------|
| SERIES         | LINE      | BODY                  | ENGINE                    | TRANSMISSION                      |
| S = RT/10      | D = DODGE | 27 = 2-DR CONVERTIBLE | EWB = 8.0L V10 SFI Engine | DEC = 6-Speed Manual Transmission |
| S = GTS Coupe  |           | 29 = SPECIALTY COUPE  |                           | DBB = All Manual Transmissions    |
| X = GTS/Lemans |           |                       |                           |                                   |

AR = use ase required - = Non illustrated part

1997 SR

Door, Front Seals Viper 27  
Figure DSR-610



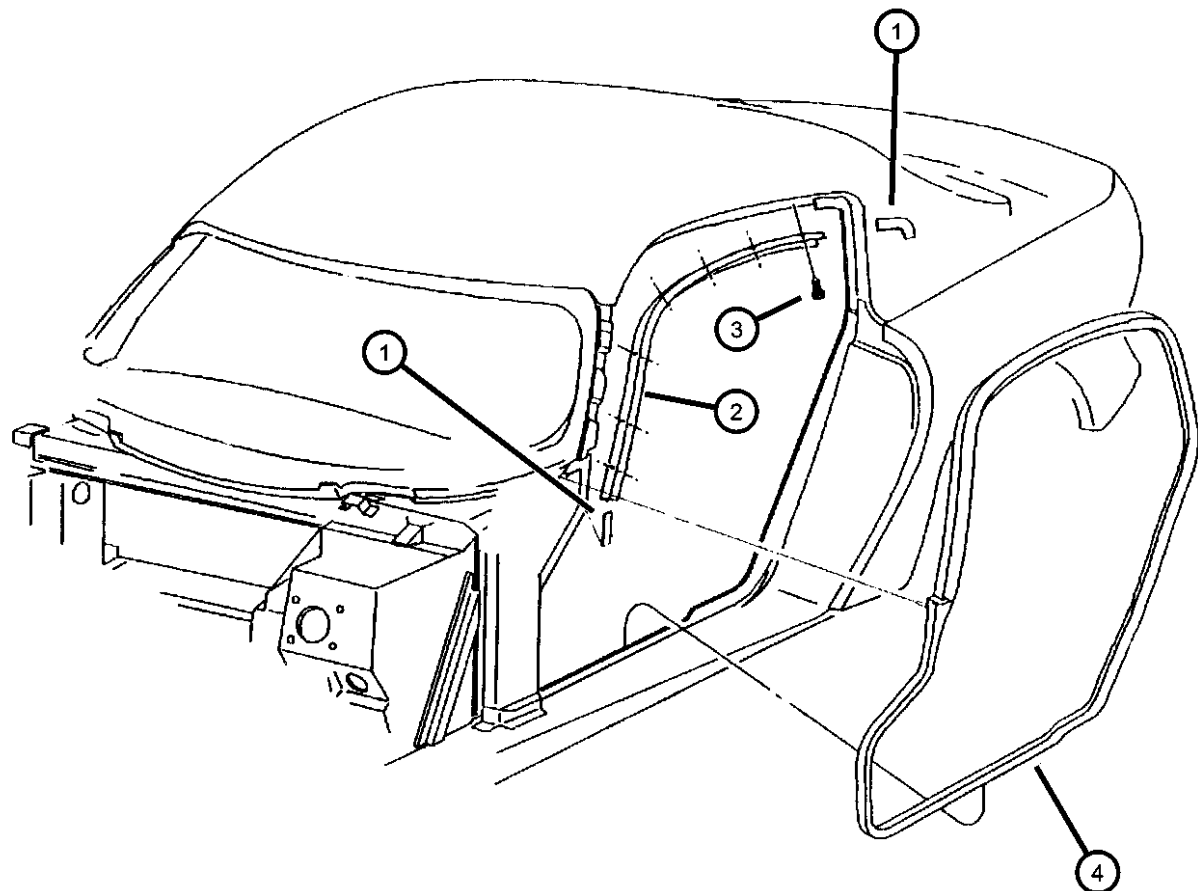
| ITEM | PART NUMBER | QTY | LINE | SERIES | BODY | ENGINE | TRANS | TRIM | DESCRIPTION                                     |
|------|-------------|-----|------|--------|------|--------|-------|------|---|
| 1    | 04848204    | 1   |      |        | 27   |        |       |      | SEAL, Door<br>Right                             |
|      | 04848205    | 1   |      |        | 27   |        |       |      | Left  |
| 2    | 04642872    | 2   |      |        |      |        |       |      | SEAL, Door, Secondary                           |
| 3    |             |     |      |        |      |        |       |      | WEATHERSTRIP, A-Pillar to Roof,<br>Body Mounted |
|      | 04848304AE  | 1   |      |        | 27   |        |       |      | Right   |
|      | 04848305AE  | 1   |      |        | 27   |        |       |      | Left  |
| -4   | 04658673    | 2   |      |        | 27   |        |       |      | PIN PUSH, .150x.410,<br>Weatherstrip            |
| 5    |             |     |      |        |      |        |       |      | RETAINER, B Pillar Weatherstrip                 |
|      | 04848464AB  | 1   |      |        | 27   |        |       |      | Right   |
|      | 04848465AB  | 1   |      |        | 27   |        |       |      | Left  |

VIPER GTS COUPE,VIPER RT/10 ROADSTER (SR)

| SERIES         | LINE      | BODY                  | ENGINE                    | TRANSMISSION                      |
|----------------|-----------|-----------------------|---------------------------|-----------------------------------|
| S = RT/10      | D = DODGE | 27 = 2-DR CONVERTIBLE | EWB = 8.0L V10 SFI Engine | DEC = 6-Speed Manual Transmission |
| S = GTS Coupe  |           | 29 = SPECIALTY COUPE  |                           | DBB = All Manual Transmissions    |
| X = GTS/Lemans |           |                       |                           |                                   |

AR = use ase required - = Non illustrated part

**Door, Front Weatherstrips And Seals Viper 29**  
**Figure DSR-620**



| ITEM | PART NUMBER | QTY | LINE | SERIES | BODY | ENGINE | TRANS | TRIM | DESCRIPTION                     |
|------|-------------|-----|------|--------|------|--------|-------|------|---------------------------------|
| 1    | 04848717    | 4   |      |        | 29   |        |       |      | TAPE, Foam, Flange              |
| 2    |             |     |      |        |      |        |       |      | RETAINER, Front Pillar to Glass |
|      | 04763888AB  | 1   |      |        | 29   |        |       |      | Right                           |
|      | 04763889AB  | 1   |      |        | 29   |        |       |      | Left                            |
| 3    | 04763889AB  | 1   |      |        |      |        |       |      | SCREW, (NOT SERVICED)           |
| 4    |             |     |      |        |      |        |       |      | WEATHERSTRIP, Door Glass        |
|      | 04763878AB  | 1   |      |        | 29   |        |       |      | Right                           |
|      | 04763879AB  | 1   |      |        | 29   |        |       |      | Left                            |
| -5   |             |     |      |        |      |        |       |      | WEATHERSTRIP, Door Belt         |
|      | 04763890    | 1   |      |        |      |        |       |      | Right                           |
|      | 04763891    | 1   |      |        |      |        |       |      | Left                            |

**VIPER GTS COUPE,VIPER RT/10 ROADSTER (SR)**

| SERIES         | LINE      | BODY                  | ENGINE                    | TRANSMISSION                      |
|----------------|-----------|-----------------------|---------------------------|-----------------------------------|
| S = RT/10      | D = DODGE | 27 = 2-DR CONVERTIBLE | EWB = 8.0L V10 SFI Engine | DEC = 6-Speed Manual Transmission |
| S = GTS Coupe  |           | 29 = SPECIALTY COUPE  |                           | DBB = All Manual Transmissions    |
| X = GTS/Lemans |           |                       |                           |                                   |

AR = use ase required - = Non illustrated part

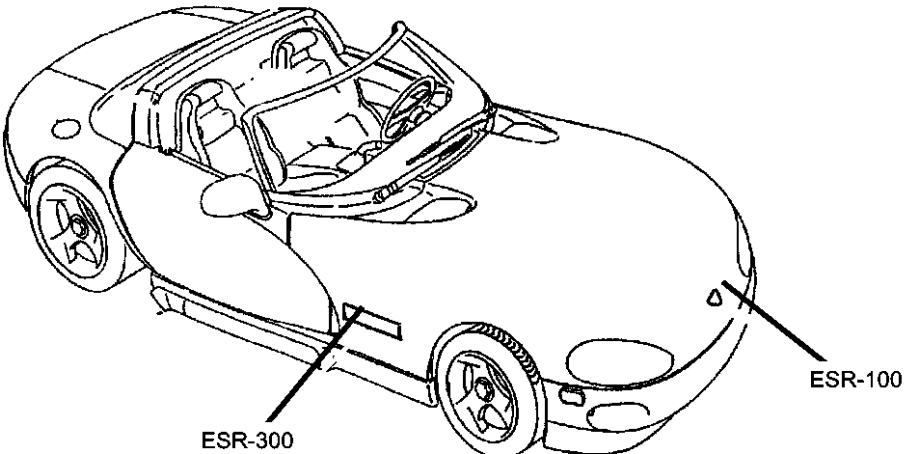




# Group - ESR

## Exterior Ornamentation

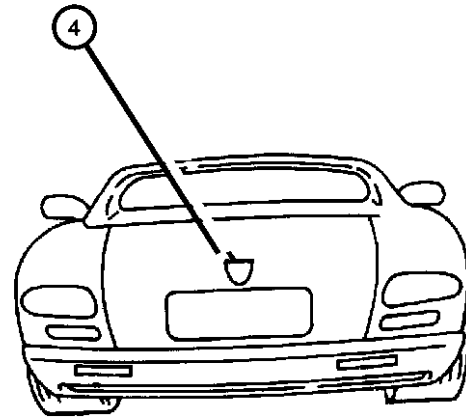
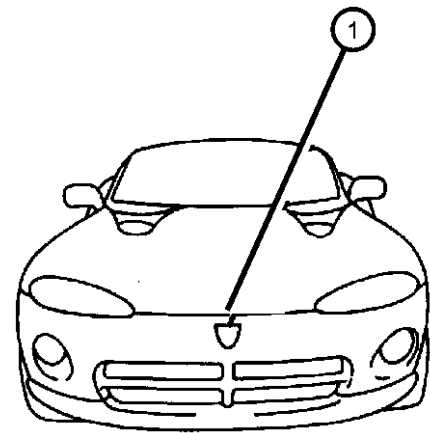
### Group - ESR Exterior Ornamentation

|                    |                |
|--------------------|----------------|
| Illustration Title | Group-Fig. No. |
| <b>Medallions</b>  |                |
| Name Plates.....   | Fig. ESR - 110 |
| <b>Decals</b>      |                |
| Decals.....        | Fig. ESR - 310 |



|  |  |  |  |
|--|--|--|--|
| <p><b>ESR-100</b><br/>Medallions</p>  | <p><b>ESR-300</b><br/>Decals</p>  |  |  |
|--|--|--|--|

**Name Plates  
Figure ESR-110**



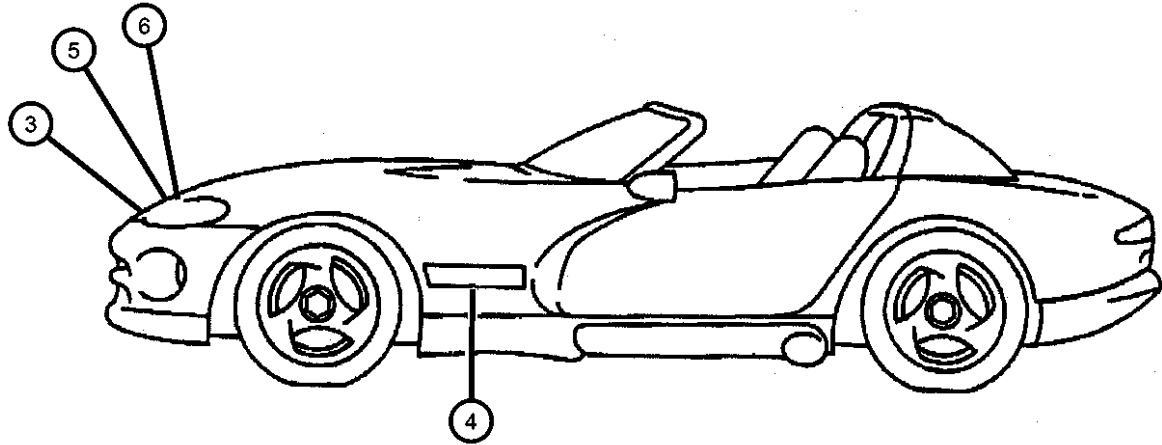
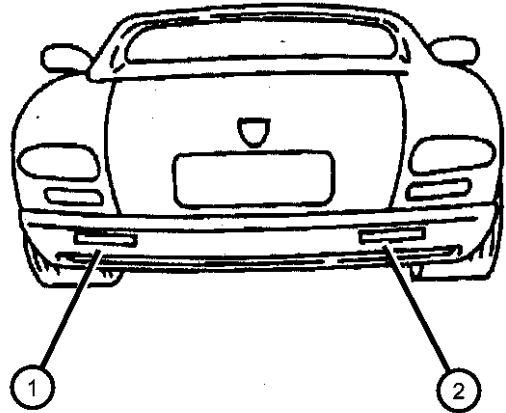
| ITEM | PART NUMBER | QTY | LINE | SERIES | BODY | ENGINE | TRANS | TRIM | DESCRIPTION                     |
|------|-------------|-----|------|--------|------|--------|-------|------|---------------------------------|
| 1    |             |     |      |        |      |        |       |      | MEDALLION, Viper Head, Hood     |
|      | 0JW27M1R    | 1   |      |        | 27   |        |       |      | Red                             |
|      | 0JW27M3X    | 1   |      |        | 27   |        |       |      | Black                           |
|      | 0JW27S3B    | 1   |      |        | 27   |        |       |      | Blue                            |
| -2   | 0QY90HV5AA  | 2   |      |        | 29   |        |       |      | NAMEPLATE, HOOD, GTS, Red       |
| -3   | 0QY89HV5AA  | 2   |      |        | 27   |        |       |      | NAMEPLATE, HOOD, RT/10, Red     |
| 4    |             |     |      |        |      |        |       |      | MEDALLION, Viper Head, Deck Lid |
|      | 0JW40M1R    | 1   |      |        | 27   |        |       |      | Red                             |
|      | 0JW40M3X    | 1   |      |        | 27   |        |       |      | Black                           |
|      | 0JW40S3B    | 1   |      |        | 27   |        |       |      | Blue                            |
| -5   | 0MB59TV5    | 1   |      |        | 29   |        |       |      | DECAL, GTS-R, Deck Lid, Red     |
| -6   |             |     |      |        |      |        |       |      | NAMEPLATE, Chrysler             |
|      | 0GM69MV5    | 1   |      |        | 27   |        |       |      | Champagne 'Viper GTS'           |
|      | 0GM69SBB    | 1   |      |        | 27   |        |       |      | Blue 'Viper GTS'                |

**VIPER GTS COUPE,VIPER RT/10 ROADSTER (SR)**

|                |           |                       |                           |                                   |
|----------------|-----------|-----------------------|---------------------------|-----------------------------------|
| SERIES         | LINE      | BODY                  | ENGINE                    | TRANSMISSION                      |
| S = RT/10      | D = DODGE | 27 = 2-DR CONVERTIBLE | EWB = 8.0L V10 SFI Engine | DEC = 6-Speed Manual Transmission |
| S = GTS Coupe  |           | 29 = SPECIALTY COUPE  |                           | DBB = All Manual Transmissions    |
| X = GTS/Lemans |           |                       |                           |                                   |

AR = use ase required - = Non illustrated part

**Decals  
Figure ESR-310**



| ITEM     | PART NUMBER | QTY      | LINE | SERIES | BODY | ENGINE | TRANS | TRIM | DESCRIPTION                                  |   |
|----------|-------------|----------|------|--------|------|--------|-------|------|--|---|
| 1        | 0GC54LV5    | 1        |      |        | 27   |        |       |      | DECAL, Dodge<br>Orange Red [RN], Rear Fascia |   |
|          |             | 1        |      |        | 29   |        |       |      | Orange Red [RN], Rear Fascia                 |   |
|          | 0GC54SBB    | 1        |      |        | 29   |        |       |      | Blue [BE], Rear Fascia                       |   |
|          |             | 1        |      |        | 27   |        |       |      | Blue [BE], Rear Fascia                       |   |
|          | 2           | 0GC43SW1 | 1    |        |      | 27     |       |      |  | DECAL, Viper R/T 10<br>White, VIPER [W1], Rear Fascia |
|          |             | 0GC43SX3 | 1    |        |      | 27     |       |      |  | Black, VIPER [X3], Rear Fascia                        |
| 0MB59SBB |             | 1        |      |        | 29   |        |       |      | Blue, VIPER GTS, Rear Fascia                 |   |
| 0MB59TV5 |             | 1        |      |        | 29   |        |       |      | Red, VIPER GTS, Rear Fascia                  |   |
| 0GC43LV5 |             | 1        |      |        | 27   |        |       |      | Orange Red, VIPER [RN], Rear Fascia          |   |
| 0GC43SBB |             | 1        |      |        | 27   |        |       |      | Blue [BE], Rear Fascia                       |   |
| 3        | 0PF00T1R    | 1        | D    |        | 29   |        |       |      | MEDALLION, Hood<br>Viper Head [RN]           |   |
|          | 0PF00S3B    | 1        |      |        | 29   |        |       |      | Viper Head [BE]                              |   |
| 4        | 0MB61SBB    | 2        |      |        | 29   |        |       |      | DECAL, VIPER GTS<br>Blue                     |   |
|          | 0MB61TV5    | 2        |      |        | 29   |        |       |      | Red  |   |
| 5        | 0QY83HY2AA  | 2        |      |        |      |        |       |      | DECAL, PRANCING SNAKE,<br>GOLD               |   |
| 6        | 0QY88SY4AA  | 2        |      |        |      |        |       |      | DECAL, PRANCING SNAKE,<br>YELLOW             |   |

**VIPER GTS COUPE,VIPER RT/10 ROADSTER (SR)**

|                |           |                       |                           |                                   |
|----------------|-----------|-----------------------|---------------------------|-----------------------------------|
| SERIES         | LINE      | BODY                  | ENGINE                    | TRANSMISSION                      |
| S = RT/10      | D = DODGE | 27 = 2-DR CONVERTIBLE | EWB = 8.0L V10 SFI Engine | DEC = 6-Speed Manual Transmission |
| S = GTS Coupe  |           | 29 = SPECIALTY COUPE  |                           | DBB = All Manual Transmissions    |
| X = GTS/Lemans |           |                       |                           |                                   |

AR = use ase required - = Non illustrated part

# Group - ISR

## Interior Trim

### Group - ISR Interior Trim

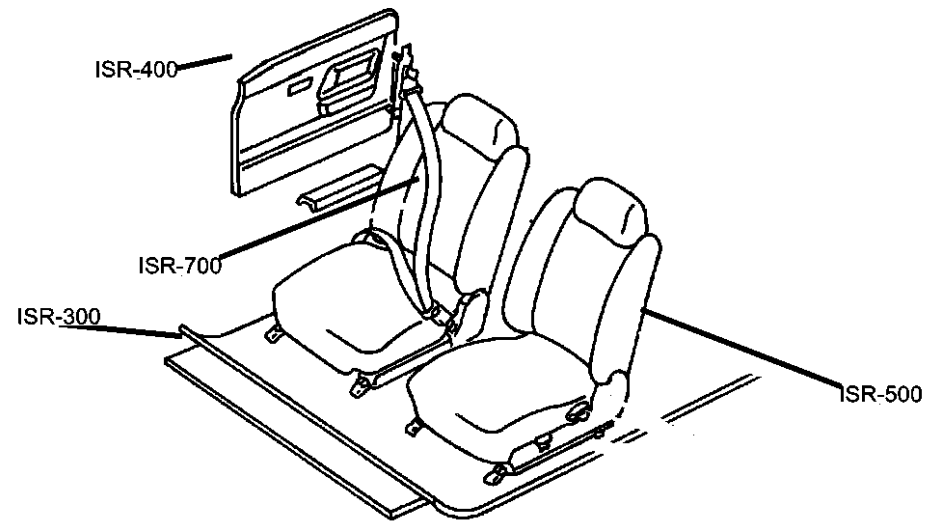


Illustration Title

Group-Fig. No.

#### Headliner and Visor

Visors And Footrest ..... Fig. ISR - 110  
 Headliner Viper, Coupe ..... Fig. ISR - 120

#### Quarter Panels and Scuff Plates

Quarter And Rear Bulkhead Panels Viper, Convertible ..... Fig. ISR - 210  
 Quarter And Rear Bulkhead Panels Viper, Coupe ..... Fig. ISR - 215  
 Door Sill Scuff Plate ..... Fig. ISR - 220

#### Carpets, Mats and Insulation

Carpet, Front And Rear ..... Fig. ISR - 320

#### Door Trim Panels-Front

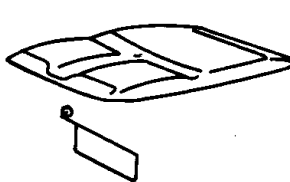
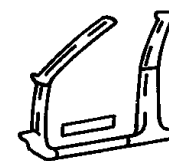
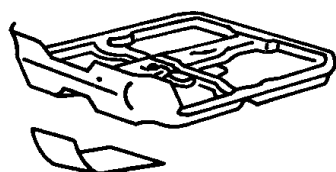
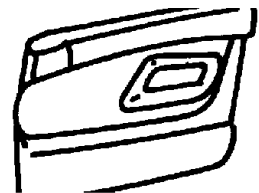
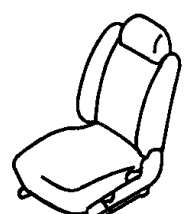
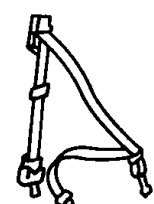
Door Panels ..... Fig. ISR - 410

#### Front Seats

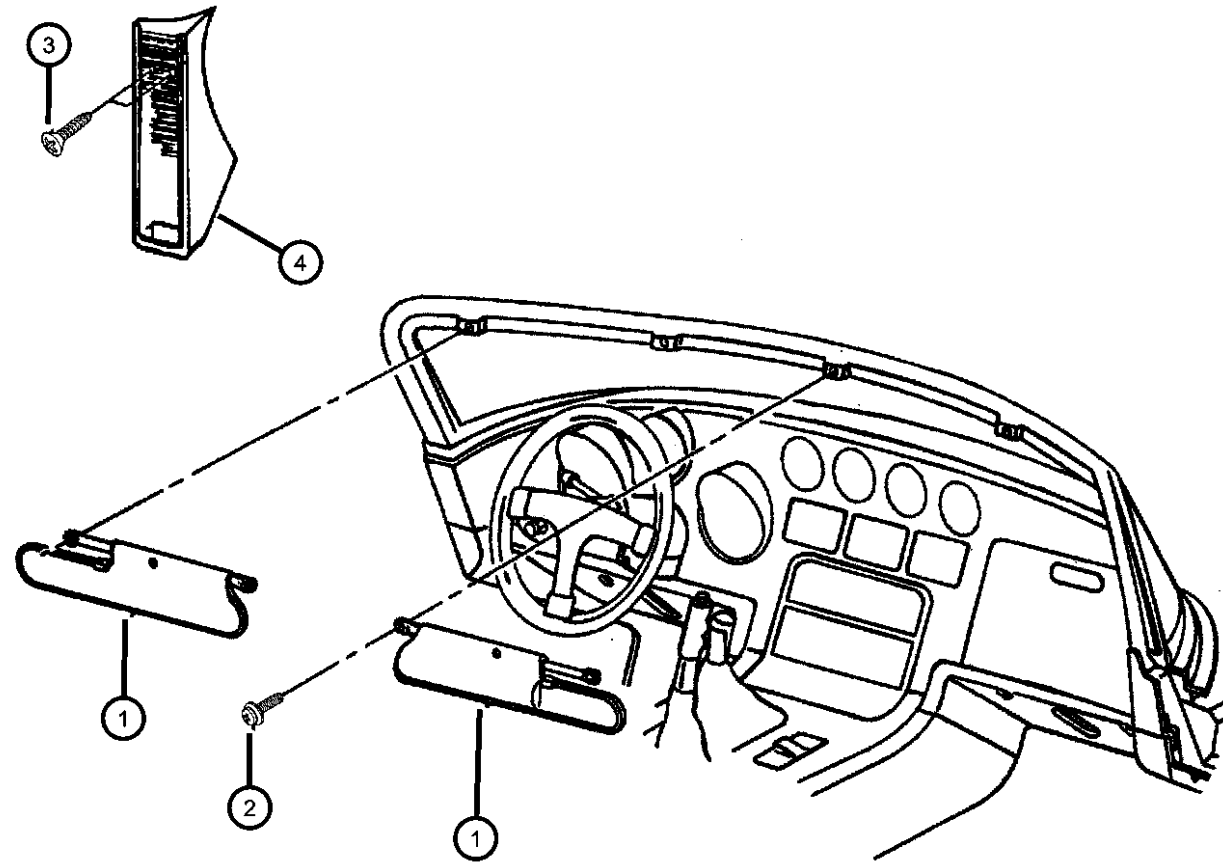
Seat, Front ..... Fig. ISR - 510

#### Seat Belts Front-Outer and Inner

Belt - Front Seat-outer ..... Fig. ISR - 710

|  |  |   |  |
|--|--|---|--|
| <p><b>ISR-100</b><br/>Headliner and Visor</p>  | <p><b>ISR-200</b><br/>Quarter Panels and Scuff Plates</p>   | <p><b>ISR-300</b><br/>Carpets, Mats and Insulation</p>  | <p><b>ISR-400</b><br/>Door Trim Panels-Front</p>  |
| <p><b>ISR-500</b><br/>Front Seats</p>         | <p><b>ISR-700</b><br/>Seat Belts Front-Outer and Inner</p>  |   |  |

**Visors And Footrest  
Figure ISR-110**



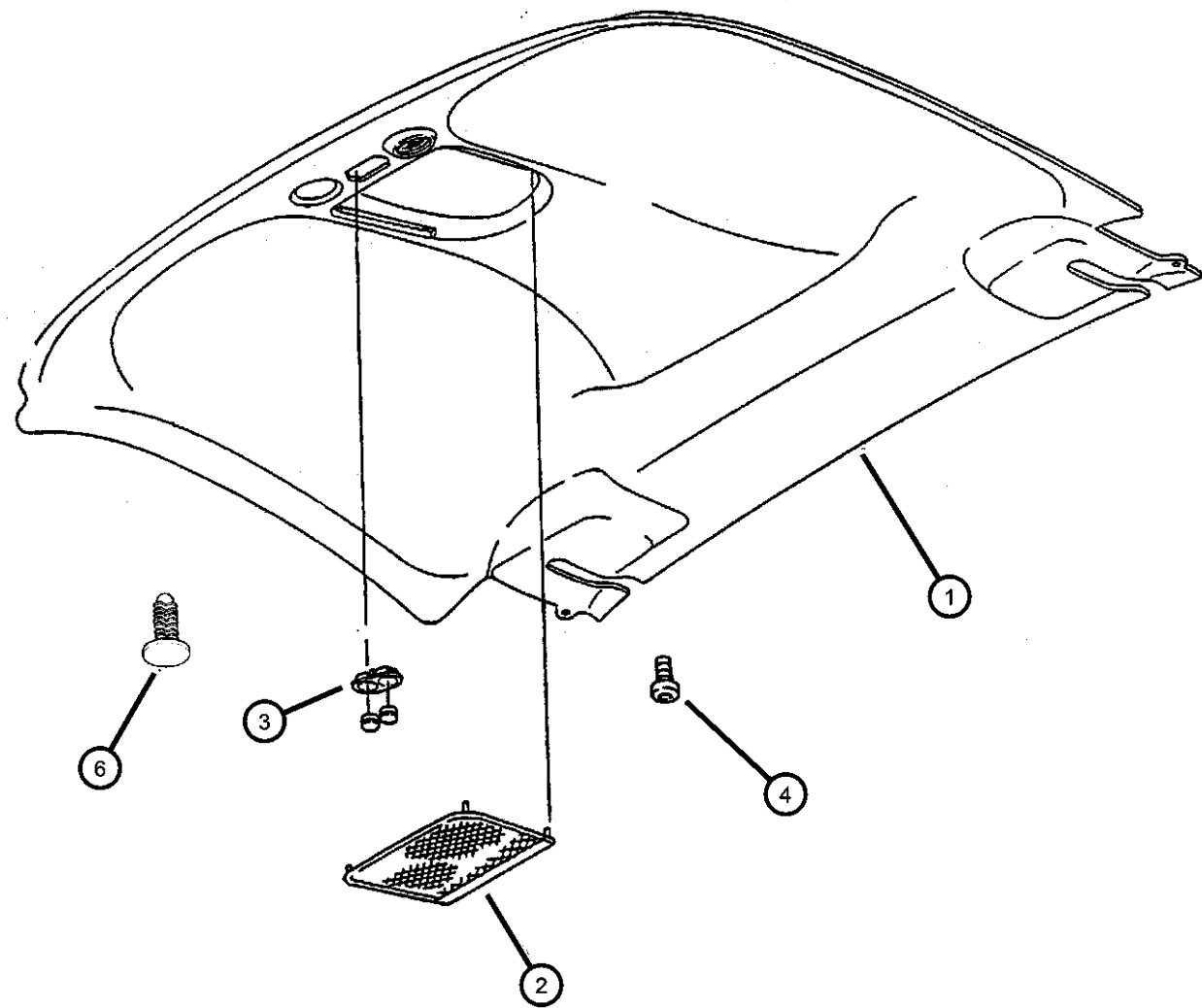
| ITEM | PART NUMBER | QTY | LINE | SERIES | BODY | ENGINE | TRANS | TRIM | DESCRIPTION  |
|------|-------------|-----|------|--------|------|--------|-------|------|--|
| 1    |             |     |      |        |      |        |       |      | VISOR, W/Mirror  |
|      | 0LH30SX7    | 1   | D    |        | 29   |        |       | *00  | Black, (Use Up To 2-17-97), Right                                    |
|      | 0LH31SX7    | 1   | D    |        | 29   |        |       | *00  | Black, (Use Up To 2-17-97), Left                                     |
|      | 0RF481X7AA  | 1   |      |        |      |        |       | *00  | Black, (Use After 2-17-97), Right                                    |
|      | 0RF491X7AA  | 1   |      |        |      |        |       | *00  | Black, (Use After 2-17-97), Left                                     |
| 2    | 06032723    | 4   |      |        | 27   |        |       |      | SCREW, Self Tapping, M4.2x1.69x19.05, Visor Attaching (.164-15x.750) |
| 3    | 06032723    | 4   |      |        |      |        |       |      | SCREW, (.164-18x.625), (NOT SERVICED)                                |
| 4    | 04763695    | 1   |      |        |      |        |       |      | FOOTREST, Panel  |
| -5   |             |     |      |        |      |        |       |      | LABEL, Air Bag Warning   |
|      | 04595748AA  | 1   |      |        | 27   |        |       | *00  | Dash Warning (Removable)   |
|      |             | 1   |      |        | 29   |        |       | *00  | Dash Warning (Removable)   |
|      | 04595749AA  | 1   |      |        |      |        |       |      | Canada Only  |
|      | 04787437AA  | 2   |      |        |      |        |       |      | English/French 5 Points  |

**VIPER GTS COUPE,VIPER RT/10 ROADSTER (SR)**

|                |           |                       |                           |                                   |
|----------------|-----------|-----------------------|---------------------------|-----------------------------------|
| SERIES         | LINE      | BODY                  | ENGINE                    | TRANSMISSION                      |
| S = RT/10      | D = DODGE | 27 = 2-DR CONVERTIBLE | EWB = 8.0L V10 SFI Engine | DEC = 6-Speed Manual Transmission |
| S = GTS Coupe  |           | 29 = SPECIALTY COUPE  |                           | DBB = All Manual Transmissions    |
| X = GTS/Lemans |           |                       |                           |                                   |

AR = use ase required - = Non illustrated part

**Headliner Viper, Coupe  
Figure ISR-120**



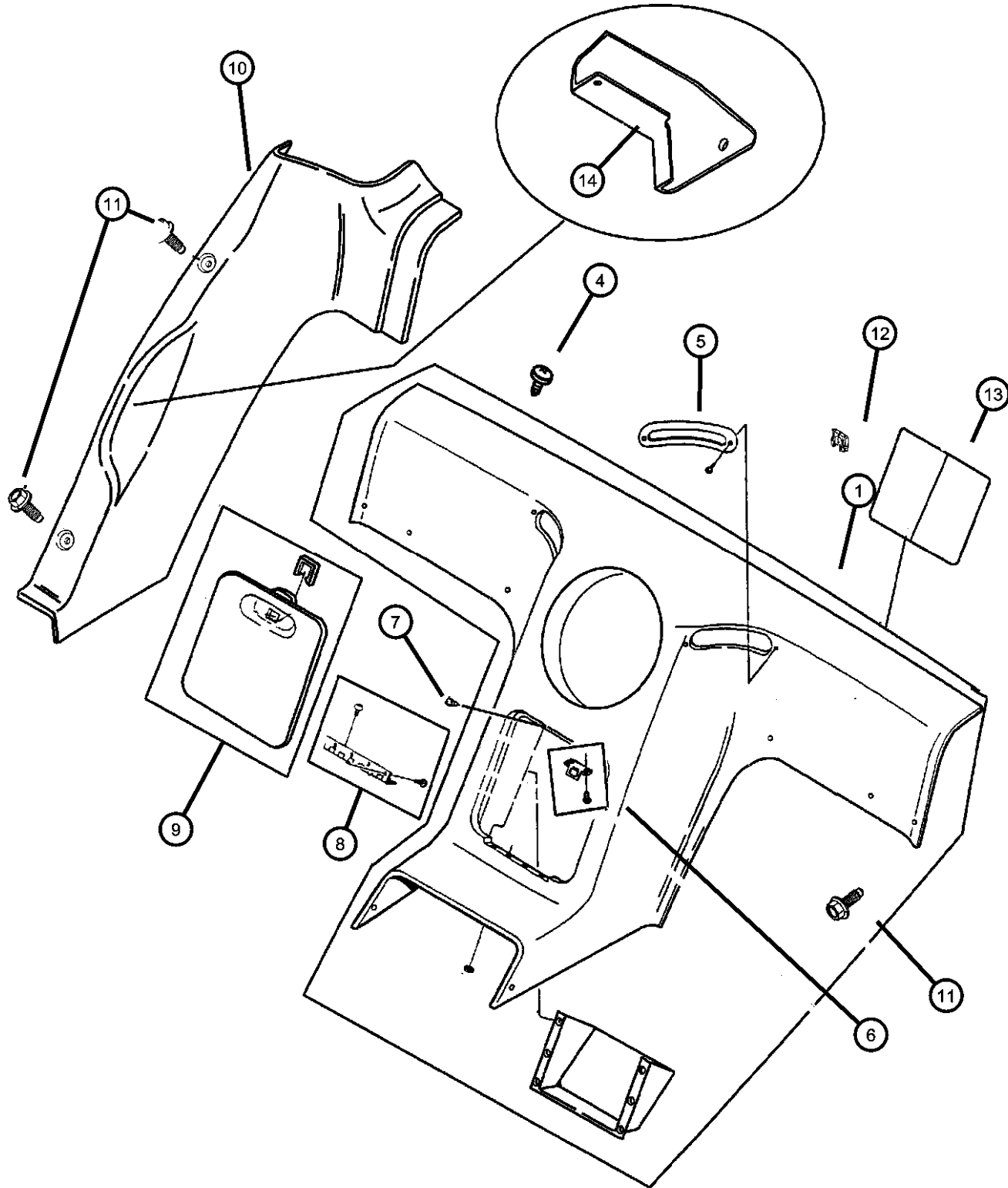
| ITEM | PART NUMBER | QTY | LINE | SERIES | BODY | ENGINE | TRANS | TRIM | DESCRIPTION   |
|------|-------------|-----|------|--------|------|--------|-------|------|---|
| 1    | 0LC06DX9AB  | 1   |      |        | 29   |        |       | *00  | PANEL, Headliner, Black, (Includes Dome Lamp, Not Serviced Separately), Headliner |
| 2    | 0PB58DX9    | 1   | D    |        | 29   |        |       | *00  | NET, Cargo, Black, Overhead Storage   |
| 3    | 0QE54DX9    | 1   |      |        | 29   |        |       | *00  | BEZEL KIT, HEADLINER, Black, Headliner  |
| 4    | 06032723    | 4   |      |        |      |        |       |      | SCREW, Self Tapping, M4.2x1.69x19.05, Attaching, Roof                             |
| -5   | 06031869    | 2   |      |        | 29   |        |       |      | NUT, Push, .19, Attaching, For .190 Screw, Headliner                              |
| 6    | 0QK37SX9    | 6   |      |        | 29   |        |       | *00  | RETAINER, Headliner, Black  |

**VIPER GTS COUPE,VIPER RT/10 ROADSTER (SR)**

| SERIES         | LINE      | BODY                  | ENGINE                    | TRANSMISSION                      |
|----------------|-----------|-----------------------|---------------------------|-----------------------------------|
| S = RT/10      | D = DODGE | 27 = 2-DR CONVERTIBLE | EWB = 8.0L V10 SFI Engine | DEC = 6-Speed Manual Transmission |
| S = GTS Coupe  |           | 29 = SPECIALTY COUPE  |                           | DBB = All Manual Transmissions    |
| X = GTS/Lemans |           |                       |                           |                                   |

AR = use ase required - = Non illustrated part

**Quarter And Rear Bulkhead Panels Viper, Convertible**  
**Figure ISR-210**



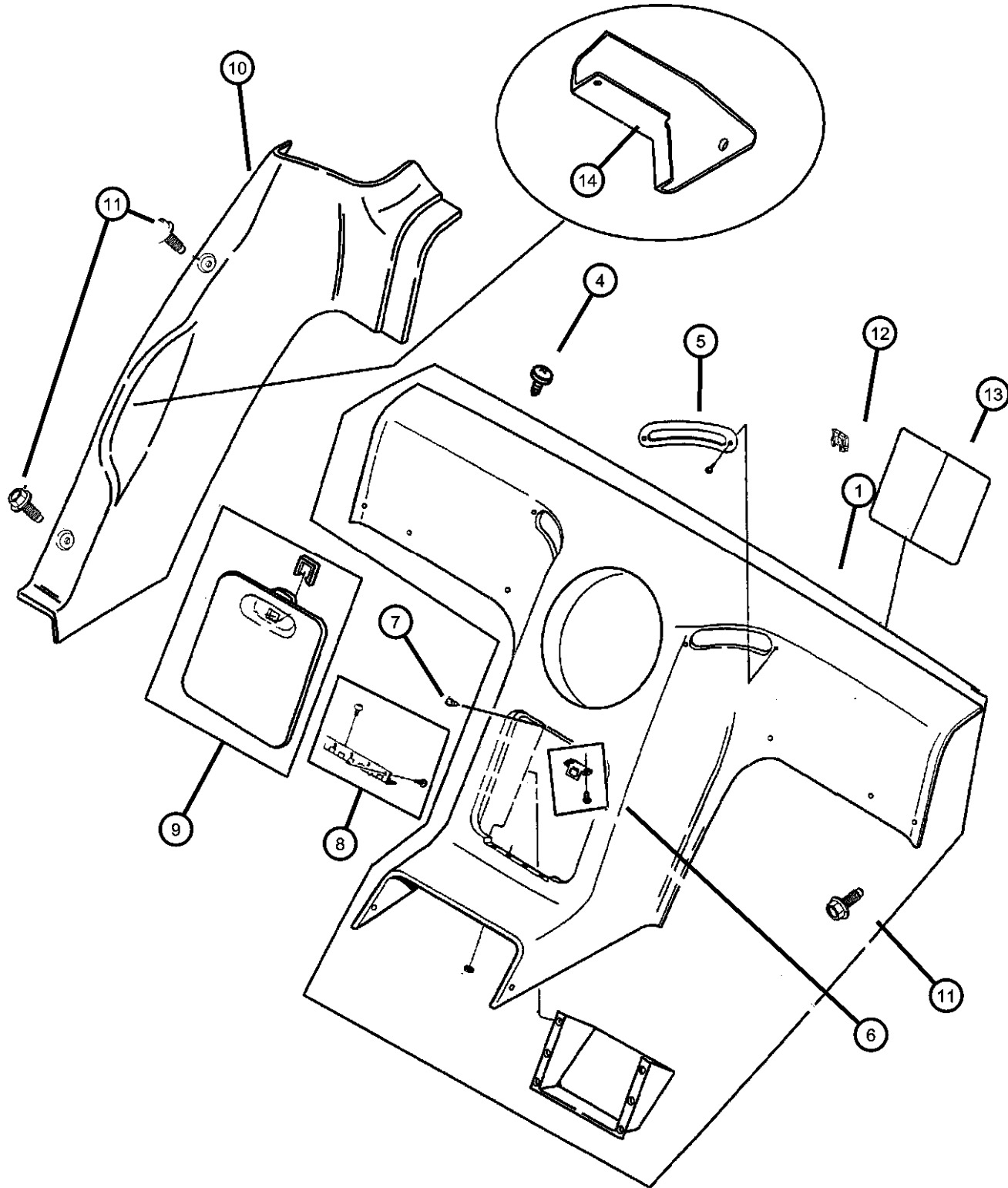
| ITEM | PART NUMBER | QTY | LINE | SERIES | BODY | ENGINE | TRANS | TRIM | DESCRIPTION                                     |
|------|-------------|-----|------|--------|------|--------|-------|------|---|
| 1    | 0LC171X7AB  | 1   |      |        | 29   |        |       | *O0  | PANEL, Bulkhead Trim                            |
|      | 0QB891X7AB  | 1   |      |        | 27   |        |       | *O0  |   |
| -2   | 04460070    | 1   |      |        | 29   |        |       |      | LATCH, Glovebox                                 |
| -3   | 06502871    | 4   |      |        | 29   |        |       | *O0  | BOLT, M6.3x22.80                                |
|      |             | 4   |      |        | 27   |        |       | *O0  |   |
| 4    | 06035085    | 3   |      |        | 27   |        |       |      | SCREW, Tapping, .164-15x1, Tapping .164-15x1    |
| 5    | 0HC76LX9    | 1   |      |        | 29   |        |       | *O0  | BEZEL, Seat Belt                                |
|      |             | 1   |      |        | 27   |        |       | *O0  | Right   |
|      | 0HC81LX9    | 1   |      |        | 29   |        |       | *O0  | Right   |
|      |             | 1   |      |        | 29   |        |       | *O0  | Left  |
|      |             | 1   |      |        | 27   |        |       | *O0  | Left  |
| 6    | 04874868    | 1   |      |        | 27   |        |       | *O0  | STRIKER, Glove Box Door Latch                   |
|      |             | 1   |      |        | 29   |        |       | *O0  | Latch   |
| 7    | 04763504    | 2   | D    |        | 29   |        |       |      | BUMPER, Console Lid, Lid                        |
| 8    | 04874869    | 1   | D    |        | 29   |        |       | *O0  | HINGE, Glovebox                                 |
|      |             | 1   |      |        | 27   |        |       | *O0  | Lid   |
|      |             | 1   |      |        | 27   |        |       | *O0  | Lid   |
| 9    | 0QE531X7    | 1   |      |        | 29   |        |       | *O0  | DOOR, Rear Cargo                                |
|      | 0RE851X7AA  | 1   |      |        | 29   |        |       | *O0  | Non-Locking                                     |
|      |             | 1   |      |        | 27   |        |       | *O0  | Locking   |
|      |             | 1   |      |        | 27   |        |       | *O0  | Locking   |
| 10   | 0PS121X7AB  | 1   |      |        | 27   |        |       | *O0  | PANEL, Quarter Trim                             |
|      | 0PS131X7AB  | 1   |      |        | 27   |        |       | *O0  | Right   |
|      |             | 1   |      |        | 27   |        |       | *O0  | Left  |
| 11   | 34201398    | 4   |      |        | 29   |        |       |      | SCREW AND WASHER, Oval Truss Head, .164-18x.984 |
|      |             | 4   |      |        | 27   |        |       |      | .164-18x.984                                    |
| 12   | 06035451    | 5   |      |        | 27   |        |       |      | NUT/SPRING, "U"1THD, For .164-15 Screw          |
| 13   | 04848863AA  | 2   |      |        | 29   |        |       |      | PATCH, Floor Pan Rear Corner, Deadener Bulkhead |
| 14   | 0QV58DX9AB  | 1   |      |        | 27   |        |       | *O0  | COVER, Quarter Trim Opening                     |
|      |             |     |      |        |      |        |       |      | Right   |

**VIPER GTS COUPE,VIPER RT/10 ROADSTER (SR)**

|                |           |                       |                           |                                   |
|----------------|-----------|-----------------------|---------------------------|-----------------------------------|
| SERIES         | LINE      | BODY                  | ENGINE                    | TRANSMISSION                      |
| S = RT/10      | D = DODGE | 27 = 2-DR CONVERTIBLE | EWB = 8.0L V10 SFI Engine | DEC = 6-Speed Manual Transmission |
| S = GTS Coupe  |           | 29 = SPECIALTY COUPE  |                           | DBB = All Manual Transmissions    |
| X = GTS/Lemans |           |                       |                           |                                   |

AR = use ase required - = Non illustrated part

Quarter And Rear Bulkhead Panels Viper, Convertible  
Figure ISR-210



| ITEM | PART NUMBER | QTY | LINE | SERIES | BODY | ENGINE | TRANS | TRIM | DESCRIPTION |
|------|-------------|-----|------|--------|------|--------|-------|------|-------------|
|------|-------------|-----|------|--------|------|--------|-------|------|-------------|

|  |            |   |  |  |    |  |  |     |       |
|--|------------|---|--|--|----|--|--|-----|-------|
|  |            | 1 |  |  | 29 |  |  | *00 | Right |
|  | 0QV59DX9AB | 1 |  |  | 27 |  |  | *00 | Left  |
|  |            | 1 |  |  | 29 |  |  | *00 | Left  |

VIPER GTS COUPE,VIPER RT/10 ROADSTER (SR)

| SERIES         | LINE      | BODY                  | ENGINE                    | TRANSMISSION                      |
|----------------|-----------|-----------------------|---------------------------|-----------------------------------|
| S = RT/10      | D = DODGE | 27 = 2-DR CONVERTIBLE | EWB = 8.0L V10 SFI Engine | DEC = 6-Speed Manual Transmission |
| S = GTS Coupe  |           | 29 = SPECIALTY COUPE  |                           | DBB = All Manual Transmissions    |
| X = GTS/Lemans |           |                       |                           |                                   |

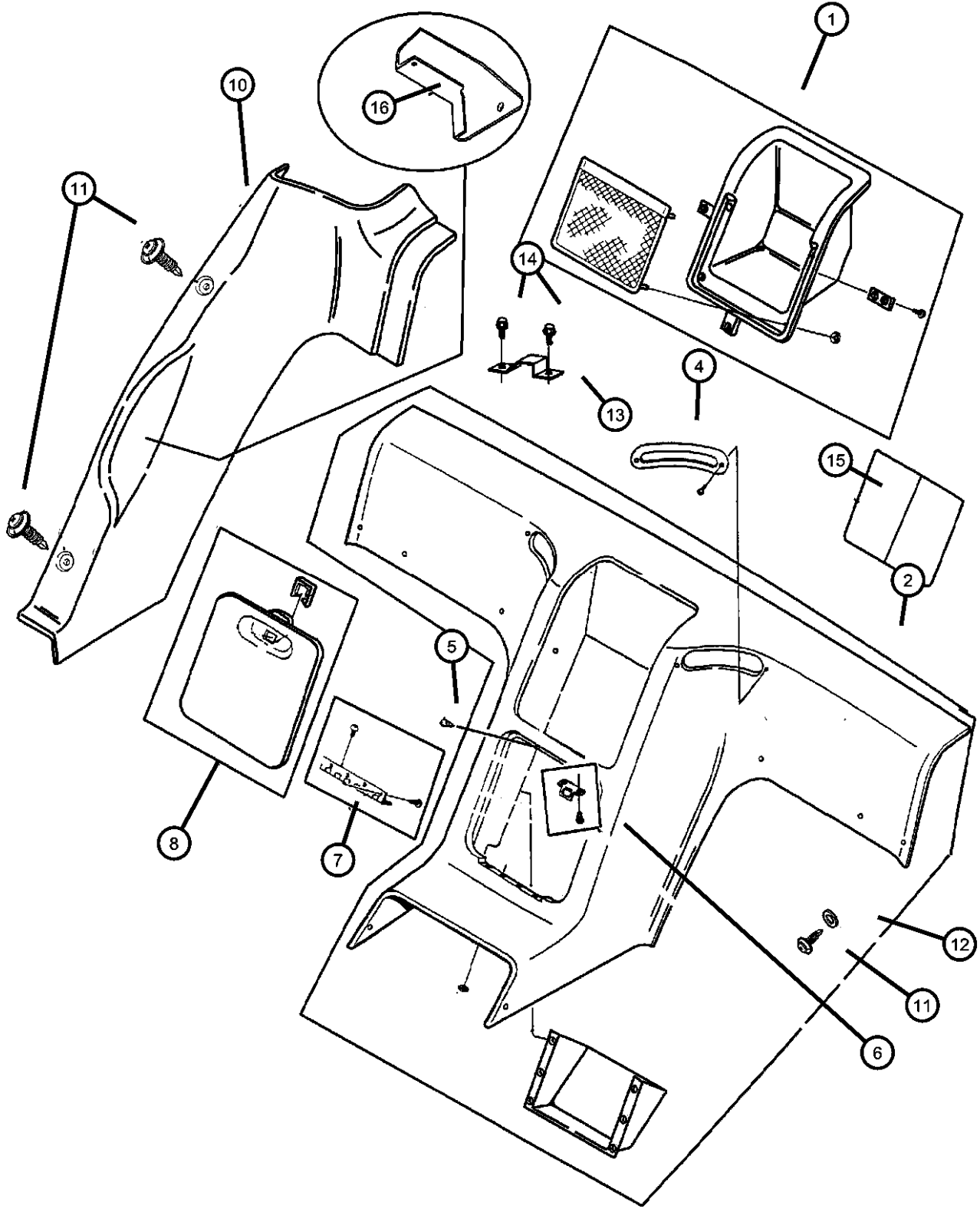
AR = use ase required - = Non illustrated part

1997 SR





**Quarter And Rear Bulkhead Panels Viper, Coupe**  
**Figure ISR-215**



| ITEM | PART NUMBER | QTY | LINE | SERIES | BODY | ENGINE | TRANS | TRIM | DESCRIPTION                                     |
|------|-------------|-----|------|--------|------|--------|-------|------|---|
| 12   | 55176291    | 4   |      |        |      |        |       |      | BUMPER, Steel Insert, Steel Insert              |
| 13   | 04848684    | 2   |      |        | 29   |        |       |      | BRACKET, Quarter Trim                           |
| 14   | 06034384    | 4   |      |        | 29   |        |       |      | SCREW, Pan Head, .437-20x1.15, .437-20x1.15     |
| 15   | 04848863AA  | 2   |      |        | 29   |        |       |      | PATCH, Floor Pan Rear Corner, Deadener Bulkhead |
| 16   |             |     |      |        |      |        |       |      | COVER, Quarter Trim Opening                     |
|      | 0QV58DX9AB  | 1   |      |        | 27   |        |       | *00  | Right   |
|      |             | 1   |      |        | 29   |        |       | *00  | Right   |
|      | 0QV59DX9AB  | 1   |      |        | 27   |        |       | *00  | Left  |
|      |             | 1   |      |        | 29   |        |       | *00  | Left  |

**VIPER GTS COUPE,VIPER RT/10 ROADSTER (SR)**

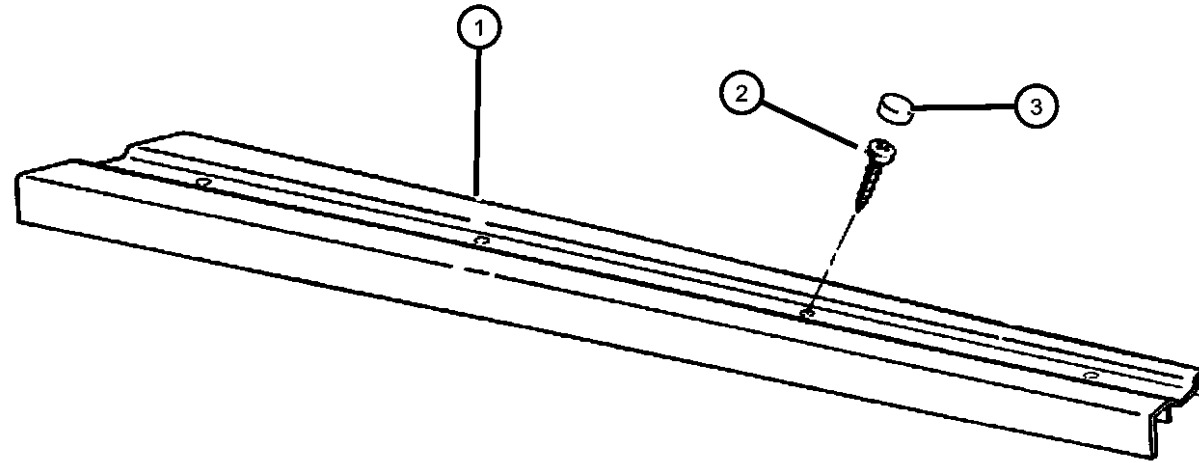
| SERIES         | LINE      | BODY                  | ENGINE                    | TRANSMISSION                      |
|----------------|-----------|-----------------------|---------------------------|-----------------------------------|
| S = RT/10      | D = DODGE | 27 = 2-DR CONVERTIBLE | EWB = 8.0L V10 SFI Engine | DEC = 6-Speed Manual Transmission |
| S = GTS Coupe  |           | 29 = SPECIALTY COUPE  |                           | DBB = All Manual Transmissions    |
| X = GTS/Lemans |           |                       |                           |                                   |

AR = use ase required - = Non illustrated part

1997 SR

**Door Sill Scuff Plate  
Figure ISR-220**

| ITEM | PART NUMBER | QTY | LINE | SERIES | BODY | ENGINE | TRANS | TRIM | DESCRIPTION                   |
|------|-------------|-----|------|--------|------|--------|-------|------|-------------------------------|
| 1    | 0KS20DX9AB  | 1   |      |        |      |        |       | *00  | SILL COVER, Interior<br>Right |
|      | 0KS21DX9AB  | 1   |      |        |      |        |       | *00  | Left                          |
| 2    | 00154751    | 8   |      |        |      |        |       |      | SCREW, Tapping, .164-18x1     |
| 3    | 04848881AA  | 8   |      |        |      |        |       |      | PLUG, Body, .75 Diameter      |

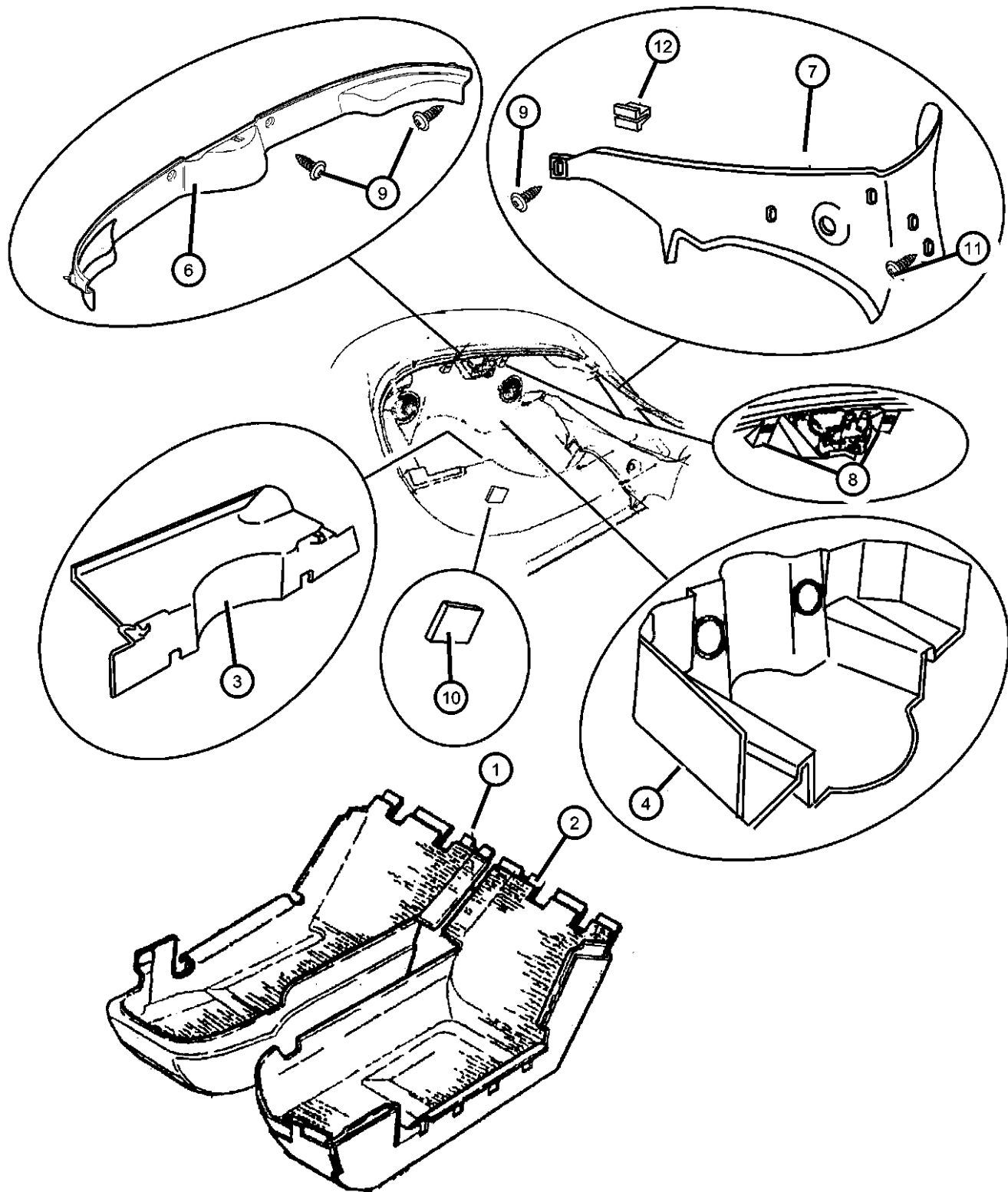


**VIPER GTS COUPE,VIPER RT/10 ROADSTER (SR)**

| SERIES         | LINE      | BODY                  | ENGINE                    | TRANSMISSION                      |
|----------------|-----------|-----------------------|---------------------------|-----------------------------------|
| S = RT/10      | D = DODGE | 27 = 2-DR CONVERTIBLE | EWB = 8.0L V10 SFI Engine | DEC = 6-Speed Manual Transmission |
| S = GTS Coupe  |           | 29 = SPECIALTY COUPE  |                           | DBB = All Manual Transmissions    |
| X = GTS/Lemans |           |                       |                           |                                   |

AR = use ase required - = Non illustrated part

**Carpet, Front And Rear  
Figure ISR-320**



| ITEM | PART NUMBER | QTY | LINE | SERIES | BODY | ENGINE | TRANS | TRIM | DESCRIPTION  |
|------|-------------|-----|------|--------|------|--------|-------|------|--|
| 1    | 0QD07SX9    | 1   |      |        |      |        |       | *00  | CARPET, Front Floor, 12 ozLeft                         |
| 2    | 0QD06SX9    | 1   |      |        |      |        |       | *00  | CARPET, Front Floor, 12 ozRight                        |
| 3    | 0LC11DX9    | 1   | D    |        | 29   |        |       | *00  | CARPET, Cargo Side Trim, Cargo Compartment,, Upper     |
| 4    | 0LC12DX9    | 1   | D    |        | 29   |        |       | *00  | CARPET, Luggage Compartment, Cargo Compartment,, Lower |
| -5   | 06505392AA  | 2   |      |        | 29   |        |       |      | WASHER, Rubber Mount, Rubber Mount                     |
| 6    | 0LC07SX7AB  | 1   |      |        | 29   |        |       | *00  | PANEL, Cargo Door Header Trim, Cargo, Rear             |
| 7    |             |     |      |        |      |        |       |      | PANEL, Cargo Door Header Trim                          |
|      | 0QK42SX7    | 1   |      |        | 29   |        |       | *00  | Right  |
|      | 0QK43SX7    | 1   |      |        | 29   |        |       | *00  | Left   |
| 8    | 06031869    | 10  |      |        | 29   |        |       |      | NUT, Push, .19, (For .190 Screw)                       |
| 9    | 06031869    | 10  |      |        |      |        |       |      | SCREW, SCREW, .190-16x1.00,, (NOT SERVICED)            |
| 10   |             |     |      |        |      |        |       |      | PAD, Bulkhead Spacer                                   |
|      | 04709275    | 2   |      |        | 27   |        |       |      |  |
|      |             | 6   |      |        | 29   |        |       |      |  |
| 11   |             |     |      |        |      |        |       |      | SCREW AND WASHER, Oval Truss Head, .164-18x.984        |
|      | 34201398    | 4   |      |        | 29   |        |       |      |  |
|      |             | 4   |      |        | 27   |        |       |      |  |
| 12   | 06031869    | 10  |      |        | 29   |        |       |      | NUT, Push, .19, Push                                   |

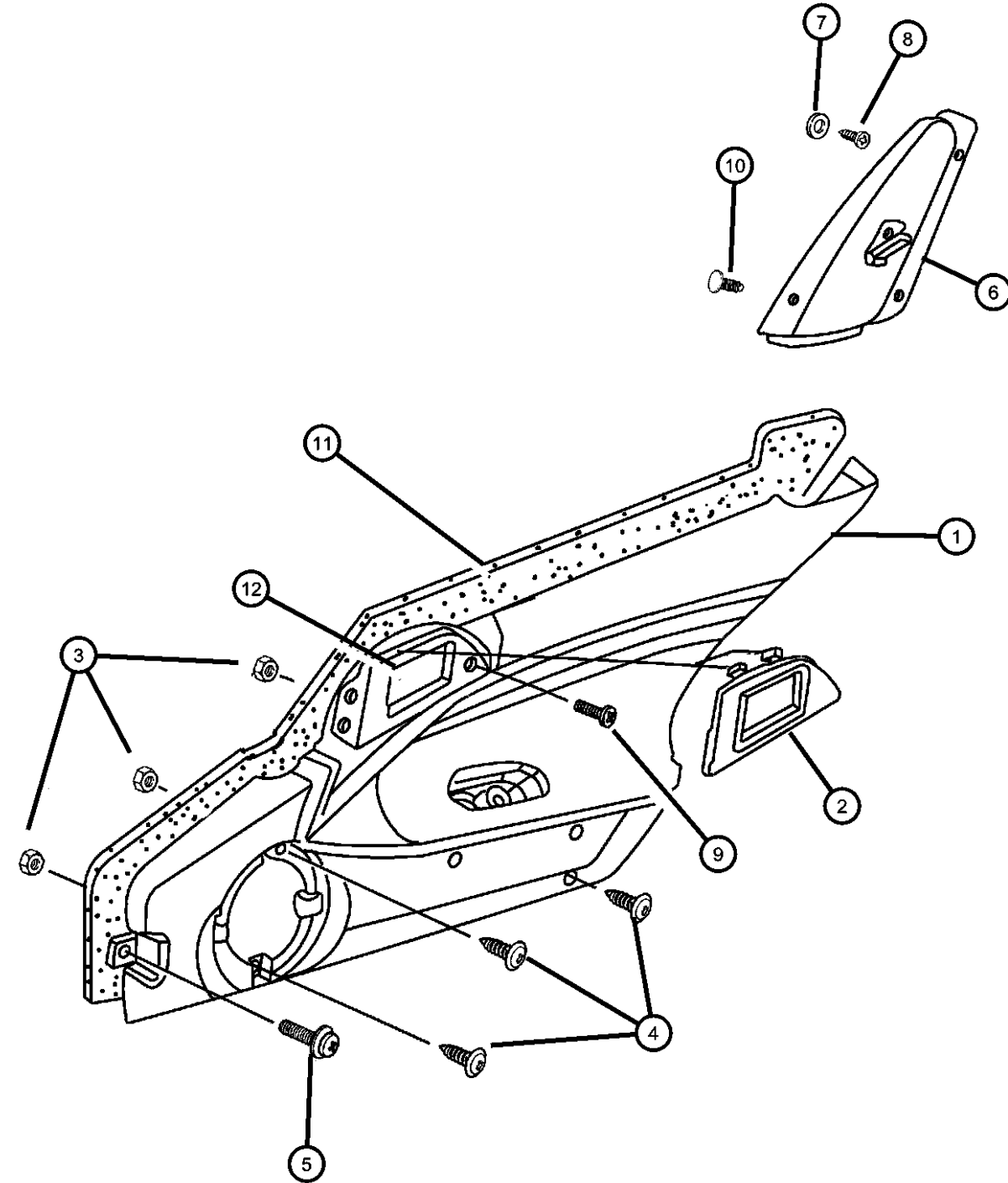
**VIPER GTS COUPE,VIPER RT/10 ROADSTER (SR)**

| SERIES         | LINE      | BODY                  | ENGINE                    | TRANSMISSION                      |
|----------------|-----------|-----------------------|---------------------------|-----------------------------------|
| S = RT/10      | D = DODGE | 27 = 2-DR CONVERTIBLE | EWB = 8.0L V10 SFI Engine | DEC = 6-Speed Manual Transmission |
| S = GTS Coupe  |           | 29 = SPECIALTY COUPE  |                           | DBB = All Manual Transmissions    |
| X = GTS/Lemans |           |                       |                           |                                   |

AR = use ase required - = Non illustrated part

1997 SR

Door Panels  
Figure ISR-410



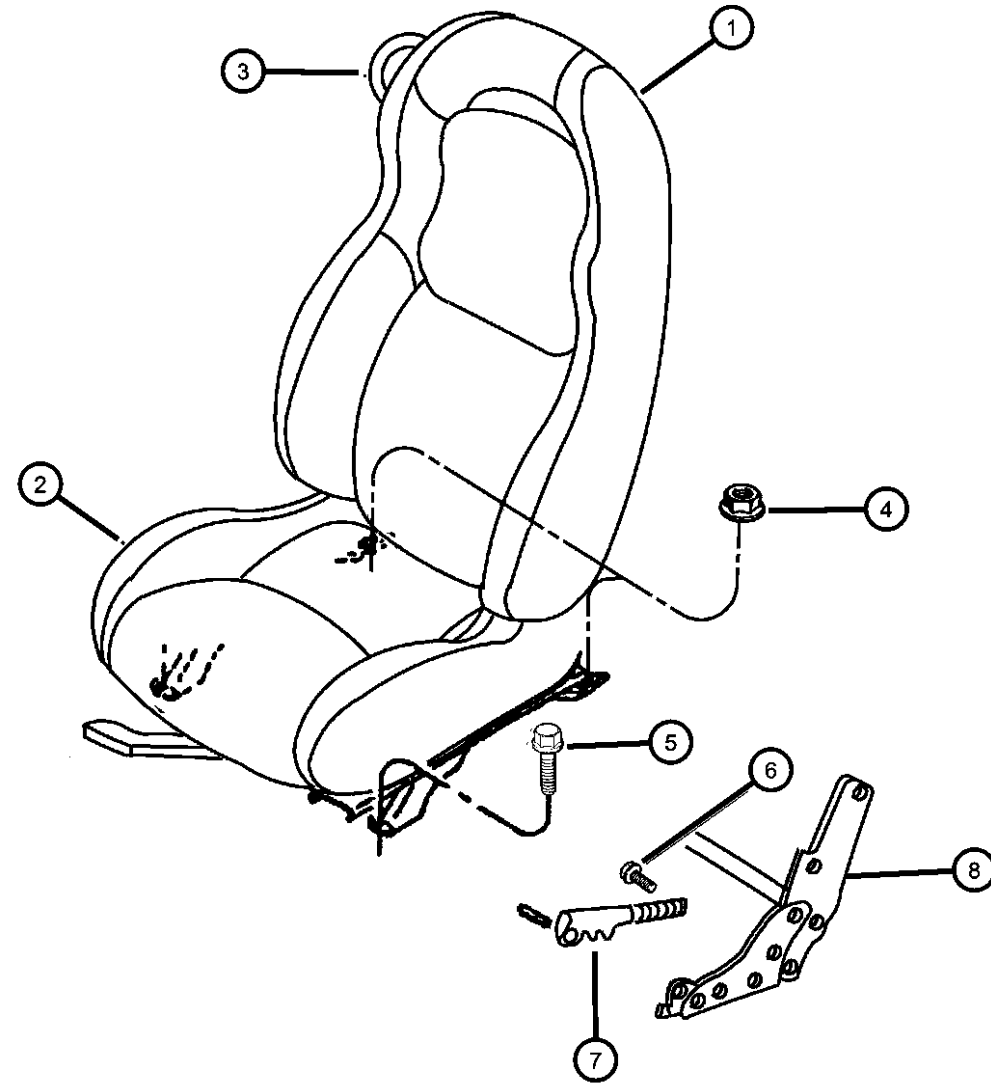
| ITEM | PART NUMBER | QTY | LINE | SERIES | BODY | ENGINE | TRANS | TRIM | DESCRIPTION  |
|------|-------------|-----|------|--------|------|--------|-------|------|--|
| 1    | 0QV62TX9AA  | 1   |      |        |      |        |       | *00  | PANEL, Door Trim Front<br>(Use Up To 7-12-97), Right |
|      | 0QV63TX9AA  | 1   |      |        |      |        |       | *00  | (Use Up To 7-12-97), Left                            |
|      | 0QY20TX9AA  | 1   |      |        |      |        |       | *00  | With Notch At Door Opening<br>(B-Pillar), Right      |
|      | 0QY21TX9AA  | 1   |      |        |      |        |       | *00  | With Notch At Door Opening<br>(B-Pillar), Left       |
|      | 0RT741X7AA  | 1   |      |        |      |        |       | *00  | (Use After 7-12-97), Right                           |
|      | 0RT751X7AA  | 1   |      |        |      |        |       | *00  | (Use After 7-12-97), Left                            |
| 2    |             |     |      |        |      |        |       |      | BEZEL, Remote Control                                |
|      | 0EK02PX9    | 1   |      |        |      |        |       | *00  | Right  |
|      | 0EK03PX9    | 1   |      |        |      |        |       | *00  | Left   |
| 3    | 06031869    | 2   |      |        |      | 29     |       |      | NUT, Push, .19, Push                                 |
| 4    | 06032723    | 4   |      |        |      |        |       |      | SCREW, Self Tapping,<br>M4.2x1.69x19.05              |
| 5    | 06032723    | 4   |      |        |      |        |       |      | SCREW, SCREW, .164-18x.500,<br>(NOT SERVICED)        |
| 6    |             |     |      |        |      |        |       |      | COVER, B Pillar Trim Panel                           |
|      | 0ME68JX8    | 1   | D    |        |      | 29     |       | *00  | Right  |
|      | 0ME69JX8    | 1   | D    |        |      | 29     |       | *00  | Left   |
|      | 0QB92JX8    | 1   |      |        |      | 27     |       | *00  | Right  |
|      | 0QB93JX8    | 1   |      |        |      | 27     |       | *00  | Left   |
| 7    | 55176291    | 4   |      |        |      |        |       |      | BUMPER, Steel Insert                                 |
| 8    | 06101973    | 6   | D    |        |      | 29     |       |      | SCREW, Pan Head, M5X0.80X8.00                        |
| 9    | 06101973    | 6   |      |        |      |        |       |      | SCREW, SCREW, .190-16x1.500,<br>(NOT SERVICED)       |
| 10   | 04658887    | 4   |      |        |      | 29     |       |      | PUSH PIN, Front Door Glass Run<br>With Weatherstrip  |
| 11   |             |     |      |        |      |        |       |      | WATERSHIELD, Front Door                              |
|      | 04763796    | 1   |      |        |      | 29     |       |      | Right  |
|      |             | 1   |      |        |      | 27     |       |      | Right  |
|      | 04763797    | 1   |      |        |      | 29     |       |      | Left   |
|      |             | 1   |      |        |      | 27     |       |      | Left   |
| 12   |             |     |      |        |      |        |       |      | BEZEL, Door Trim Panel                               |
|      | 0MS38MX4AB  | 1   |      |        |      |        |       | *00  | Right  |
|      | 0MS39MX4AB  | 1   |      |        |      |        |       | *00  | Left   |
| -13  | 06503709    | 1   |      |        |      |        |       | *00  | PIN, Door Panel, Push-In                             |

VIPER GTS COUPE,VIPER RT/10 ROADSTER (SR)

|                |           |                       |                           |                                   |
|----------------|-----------|-----------------------|---------------------------|-----------------------------------|
| SERIES         | LINE      | BODY                  | ENGINE                    | TRANSMISSION                      |
| S = RT/10      | D = DODGE | 27 = 2-DR CONVERTIBLE | EWB = 8.0L V10 SFI Engine | DEC = 6-Speed Manual Transmission |
| S = GTS Coupe  |           | 29 = SPECIALTY COUPE  |                           | DBB = All Manual Transmissions    |
| X = GTS/Lemans |           |                       |                           |                                   |

AR = use ase required - = Non illustrated part

Seat, Front  
Figure ISR-510



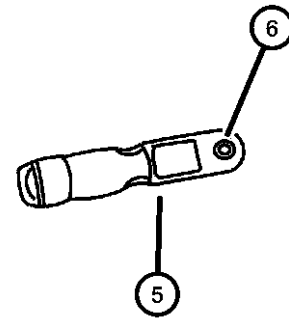
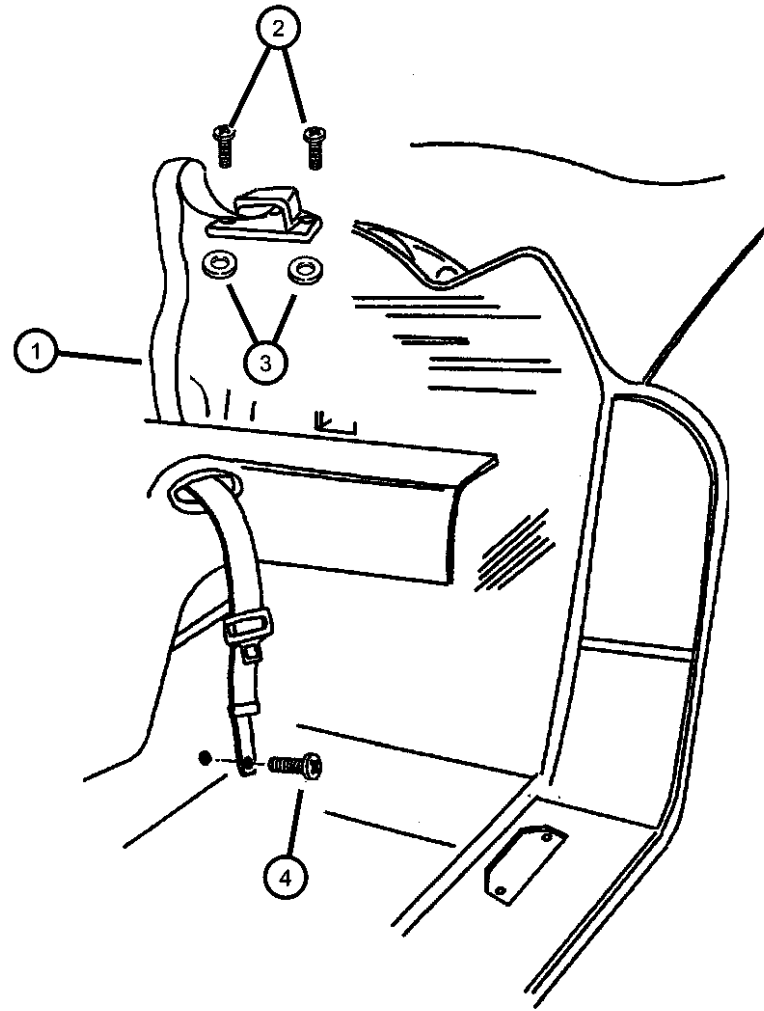
| ITEM | PART NUMBER | QTY | LINE | SERIES | BODY | ENGINE | TRANS | TRIM | DESCRIPTION  |
|------|-------------|-----|------|--------|------|--------|-------|------|--|
| 1    | 0RZ961XKAA  | 1   |      |        | 27   |        |       | *00  | SEAT BACK, Front<br>Black/Tan (CLXK), Right  |
|      | 0RZ96SX9AA  | 1   |      |        |      |        |       | *00  | Black, (CLX9), Right   |
|      | 0RZ971XKAA  | 1   |      |        | 27   |        |       | *00  | Black/Tan (CLXK), Left   |
|      | 0RZ97SX9AA  | 1   |      |        |      |        |       | *00  | Black, (CLX9), Left  |
| 2    | 0QE61SX9    | 1   |      |        |      |        |       | *00  | CUSHION, Front Seat, Complete,<br>Frame, Cover, Pad  |
| 3    | 0QE63SX9    | 1   |      |        |      |        |       | *00  | GUIDE, Seat Belt   |
| 4    | 06504572    | 4   |      |        |      |        |       |      | NUT AND WASHER, Hex<br>Nut-Coned Washer, M8 x 1.25,<br>M8x1.25, Rear Seat To Floor Pan<br>Attach |
| 5    | 06503354    | 4   |      |        |      |        |       |      | SCREW AND WASHER, Hex<br>Head, M8x1.25x25, Seat Track To<br>Floor Riser                          |
| 6    | 04773266    | 1   |      |        |      |        |       | *00  | PIN, Actuator Front  |
| 7    | 04713967    | 1   |      |        |      |        |       | *00  | RECLINER, Seat Back  |
| 8    | 04713967    | 1   |      |        |      |        |       |      | BRACKET, Serv. With Item 2,<br>(NOT SERVICED)  |

VIPER GTS COUPE,VIPER RT/10 ROADSTER (SR)

| SERIES         | LINE      | BODY                  | ENGINE                    | TRANSMISSION                      |
|----------------|-----------|-----------------------|---------------------------|-----------------------------------|
| S = RT/10      | D = DODGE | 27 = 2-DR CONVERTIBLE | EWB = 8.0L V10 SFI Engine | DEC = 6-Speed Manual Transmission |
| S = GTS Coupe  |           | 29 = SPECIALTY COUPE  |                           | DBB = All Manual Transmissions    |
| X = GTS/Lemans |           |                       |                           |                                   |

AR = use ase required - = Non illustrated part

**Belt - Front Seat-outer**  
**Figure ISR-710**



| ITEM | PART NUMBER | QTY | LINE | SERIES | BODY | ENGINE | TRANS | TRIM | DESCRIPTION  |
|------|-------------|-----|------|--------|------|--------|-------|------|--|
| 1    |             |     |      |        |      |        |       |      | SEAT BELT, Front   |
|      | 0MB86SX9    | 2   | D    |        | 27   |        |       | *00  | U.S. and Canada  |
|      |             | 2   | D    |        | 29   |        |       | *00  | U.S. and Canada  |
|      | 0PD74RX9    | 2   |      |        |      |        |       | *00  | Export   |
| 2    | 06034383    | 4   |      |        |      |        |       |      | SCREW, Pan Head, .437-20x1.5                                   |
| 3    | 04708494    | 4   |      |        |      |        |       |      | SPACER, Seat Belt Retainer                                     |
| 4    | 06034457    | 2   |      |        |      |        |       |      | SCREW, Pan Head, .437-20x1.375                                 |
| 5    |             |     |      |        |      |        |       |      | SEAT BELT, Buckle Half   |
|      | 04848718    | 1   |      |        |      |        |       |      | Right  |
|      | 04848719    | 1   |      |        |      |        |       |      | Left   |
| 6    | 06034389    | 1   |      |        |      |        |       |      | SCREW, Pan Head Shoulder, .437-20x1.87, (Included With Buckle) |
| -7   |             |     |      |        |      |        |       |      | RETAINER PACKAGE, Child Seat Tether                            |
|      | 04883004    | 1   |      |        | 27   |        |       | *00  | Hardware Package, Child Seat                                   |
|      |             | 1   |      |        | 27   |        |       | *00  |  |
|      |             | 1   |      |        | 29   |        |       | *00  | Hardware Package, Child Seat                                   |
| -8   | 05260606    | 1   |      |        |      |        |       | *00  | EXTENDER, Seat Belt  |

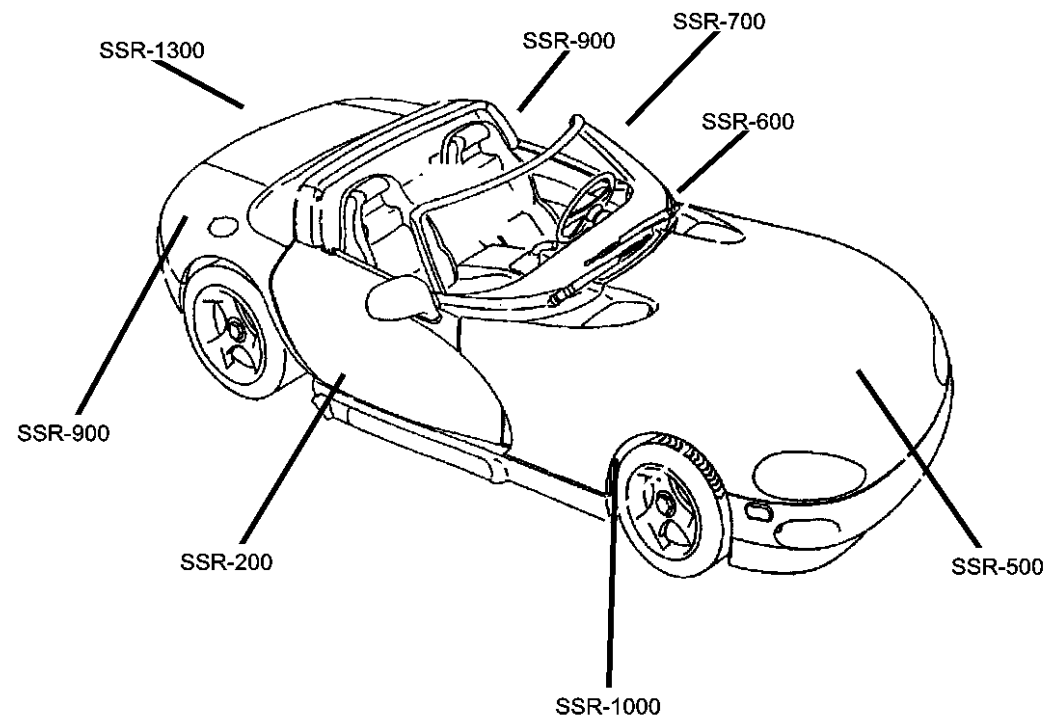
**VIPER GTS COUPE,VIPER RT/10 ROADSTER (SR)**

| SERIES         | LINE      | BODY                  | ENGINE                    | TRANSMISSION                      |
|----------------|-----------|-----------------------|---------------------------|-----------------------------------|
| S = RT/10      | D = DODGE | 27 = 2-DR CONVERTIBLE | EWB = 8.0L V10 SFI Engine | DEC = 6-Speed Manual Transmission |
| S = GTS Coupe  |           | 29 = SPECIALTY COUPE  |                           | DBB = All Manual Transmissions    |
| X = GTS/Lemans |           |                       |                           |                                   |

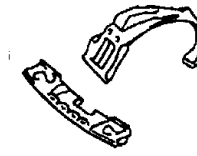
AR = use ase required - = Non illustrated part

# Group - SSR

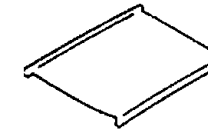
## Body Sheet Metal Except Doors



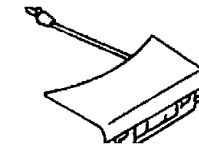
**SSR-1000**  
Splash Shields



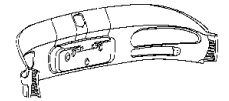
**SSR-1100**  
Roof - Hard & Folding Top



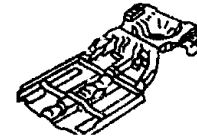
**SSR-1300**  
Deck Lid



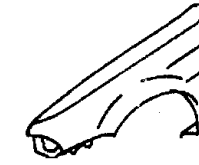
**SSR-1400**  
Rear Shelf Panel



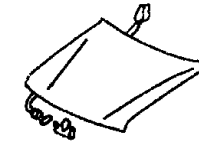
**SSR-200**  
Floor Pan



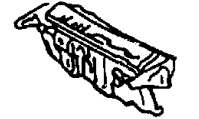
**SSR-400**  
Fender



**SSR-500**  
Hood & Hood Release



**SSR-600**  
Cowl and Dash Panel



**SSR-700**  
Glass, Windshield, Backlite, Mirror



**SSR-900**  
Quarter Panel





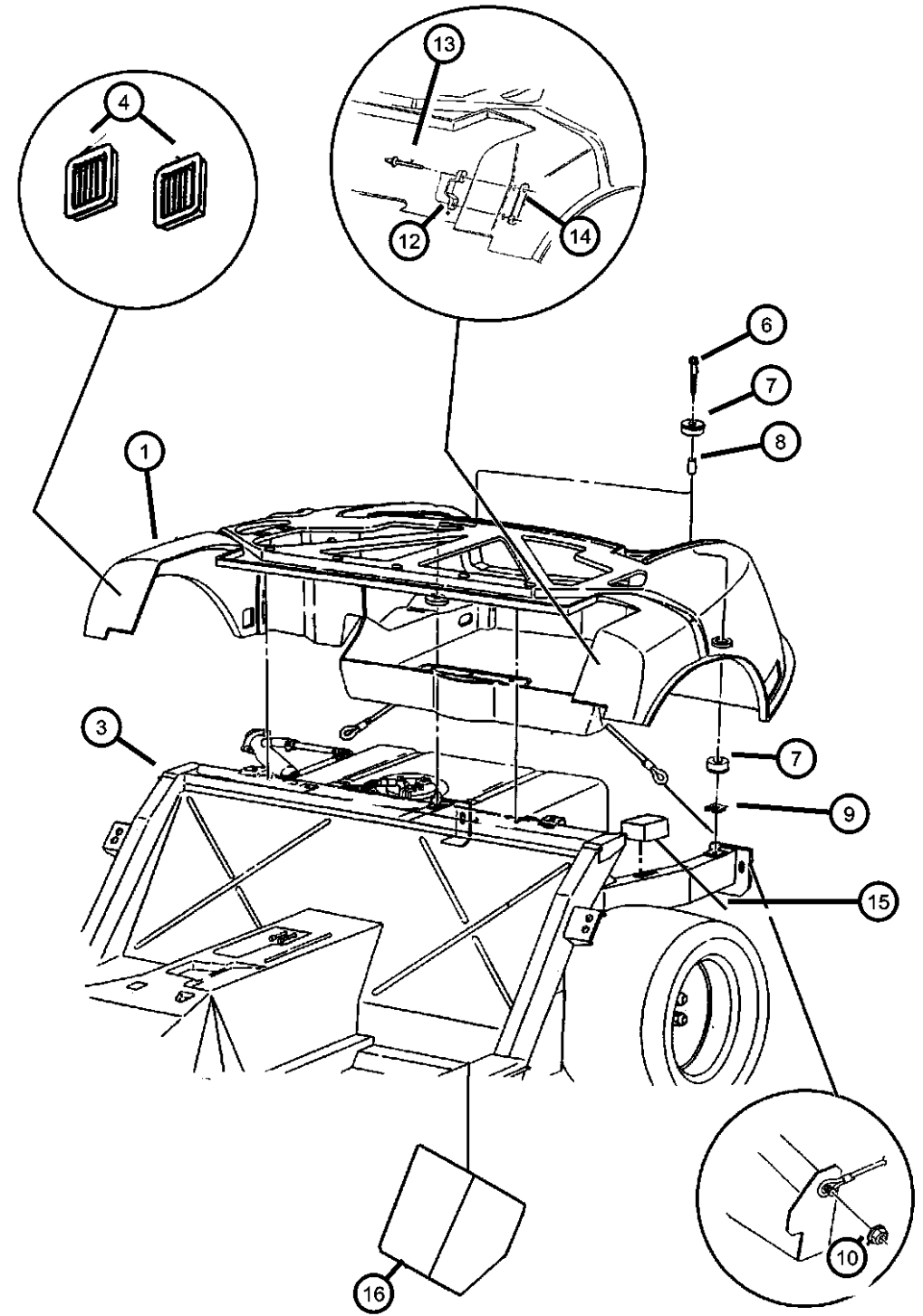
---

## Group - SSR Body Sheet Metal Except Doors

| Illustration Title                                 | Group-Fig. No.  |
|--|-----------------|
| <b>Floor Pan</b>                                   |                 |
| Floor Pan .....                                    | Fig. SSR - 210  |
| <b>Fender</b>                                      |                 |
| Fender Shield.....                                 | Fig. SSR - 410  |
| <b>Hood &amp; Hood Release</b>                     |                 |
| Hood Release And Hinge.....                        | Fig. SSR - 520  |
| <b>Cowl and Dash Panel</b>                         |                 |
| Cowl And Dash Panel.....                           | Fig. SSR - 610  |
| <b>Glass, Windshield, Backlite, Mirror</b>         |                 |
| Glass Windshield, Frame And Mirror .....           | Fig. SSR - 710  |
| Glass Windshield Frame And Mirror Viper Coupe..... | Fig. SSR - 715  |
| Glass, Backlite Hardtop.....                       | Fig. SSR - 720  |
| <b>Quarter Panel</b>                               |                 |
| Rear Quarter Panel .....                           | Fig. SSR - 910  |
| <b>Splash Shields</b>                              |                 |
| Loose Panel .....                                  | Fig. SSR - 1010 |
| <b>Roof - Hard &amp; Folding Top</b>               |                 |
| Sport Cap .....                                    | Fig. SSR - 1110 |
| Toupette Assembly-top .....                        | Fig. SSR - 1120 |
| Hard Top Convertible .....                         | Fig. SSR - 1125 |
| Roof Panel Viper Coupe.....                        | Fig. SSR - 1130 |
| <b>Deck Lid</b>                                    |                 |
| Deck Lid.....                                      | Fig. SSR - 1310 |
| Deck Lid Weatherstrip And Latch .....              | Fig. SSR - 1320 |
| Fuel Filler Door .....                             | Fig. SSR - 1330 |
| <b>Rear Shelf Panel</b>                            |                 |
| Rear Shelf Panel Viper, Coupe.....                 | Fig. SSR - 1410 |

**Floor Pan  
Figure SSR-210**

| ITEM | PART NUMBER | QTY | LINE | SERIES | BODY | ENGINE | TRANS | TRIM | DESCRIPTION   |
|------|-------------|-----|------|--------|------|--------|-------|------|---|
| 1    | 04848187    | 1   |      |        | 27   |        |       |      | PAN, Floor, (Body Code 27)                                    |
| -2   | 04848681    | 1   |      |        | 29   |        |       |      | PAN, Trunk, (Body Code 29)                                    |
| 3    | 04848681    | 1   |      |        |      |        |       |      | FRAME, (Reference Only) See Group 13, (NOT SERVICED)          |
| 4    | 04848591    | 4   |      |        | 29   |        |       |      | EXHAUSTER, Bodyside Aperture                                  |
| -5   |             |     |      |        |      |        |       |      | COVER, Trunk Exhauster  |
|      | 04848818AB  | 1   |      |        | 29   |        |       |      | (Body Code 29), Right   |
|      | 04848819    | 1   |      |        | 29   |        |       |      | (Body Code 29), Left  |
| 6    | 06502688    | 2   |      |        |      |        |       |      | SCREW AND WASHER, Hex Head, M10x1.5x70                        |
| 7    | 04642900    | 4   |      |        |      |        |       |      | ISOLATOR, Rear Floor Pan To Frame, Rear Floor Pan to Frame    |
| 8    |             |     |      |        |      |        |       |      | SPACER, Floor Pan Isolator                                    |
|      | 04642902    | 2   |      |        | 27   |        |       |      | (Body Code 27)  |
|      | 04848189    | 2   |      |        | 29   |        |       |      | (Body Code 29)  |
| 9    |             |     |      |        |      |        |       |      | SHIM, Floor Pan Isolator                                      |
|      | 04643353    | AR  |      |        |      |        |       |      | Size, (1.5)   |
|      | 04848868AA  | AR  |      |        |      |        |       |      | Size, (1.0")  |
| 10   | 06503675    | 2   |      |        |      |        |       |      | SCREW AND WASHER, Hex Head, M10x1.5x40, M10x1.50x40.00        |
| -11  | 04848419    | 4   |      |        |      |        |       |      | PLUG, Floor Pan   |
| 12   | 04665288    | 2   |      |        | 27   |        |       |      | ANCHOR, Tie Down, Footman Loop                                |
| 13   | 06034646    | 4   |      |        | 27   |        |       |      | RIVET, .197 Grip-.187-.375                                    |
| 14   | 04708256    | 2   |      |        | 27   |        |       |      | PLATE, Footman Loop   |
| 15   | 04763477    | 2   |      |        | 27   |        |       |      | CUSHION, Trunk Pan, Trunk Pan Closeout, Convertible           |
| 16   |             |     |      |        |      |        |       |      | PATCH, Floor Pan Rear Corner                                  |
|      | 04848864AA  | 1   |      |        | 29   |        |       |      | Right   |
|      | 04848865AA  | 1   |      |        | 29   |        |       |      | Left  |
| -17  | 04708168    | 1   |      |        | 27   |        |       |      | STRAP, Cargo Tie Down, (Body Code 27)                         |
| -18  | 04848103    | 1   |      |        | 29   |        |       |      | GASKET, Fuel Pump Cover Plate, (Body Code 29)                 |
| -19  | 06034844    | AR  |      |        | 29   |        |       |      | RIVET, Blind, .250x.375/.562, Used With Fuel Pump Access Door |

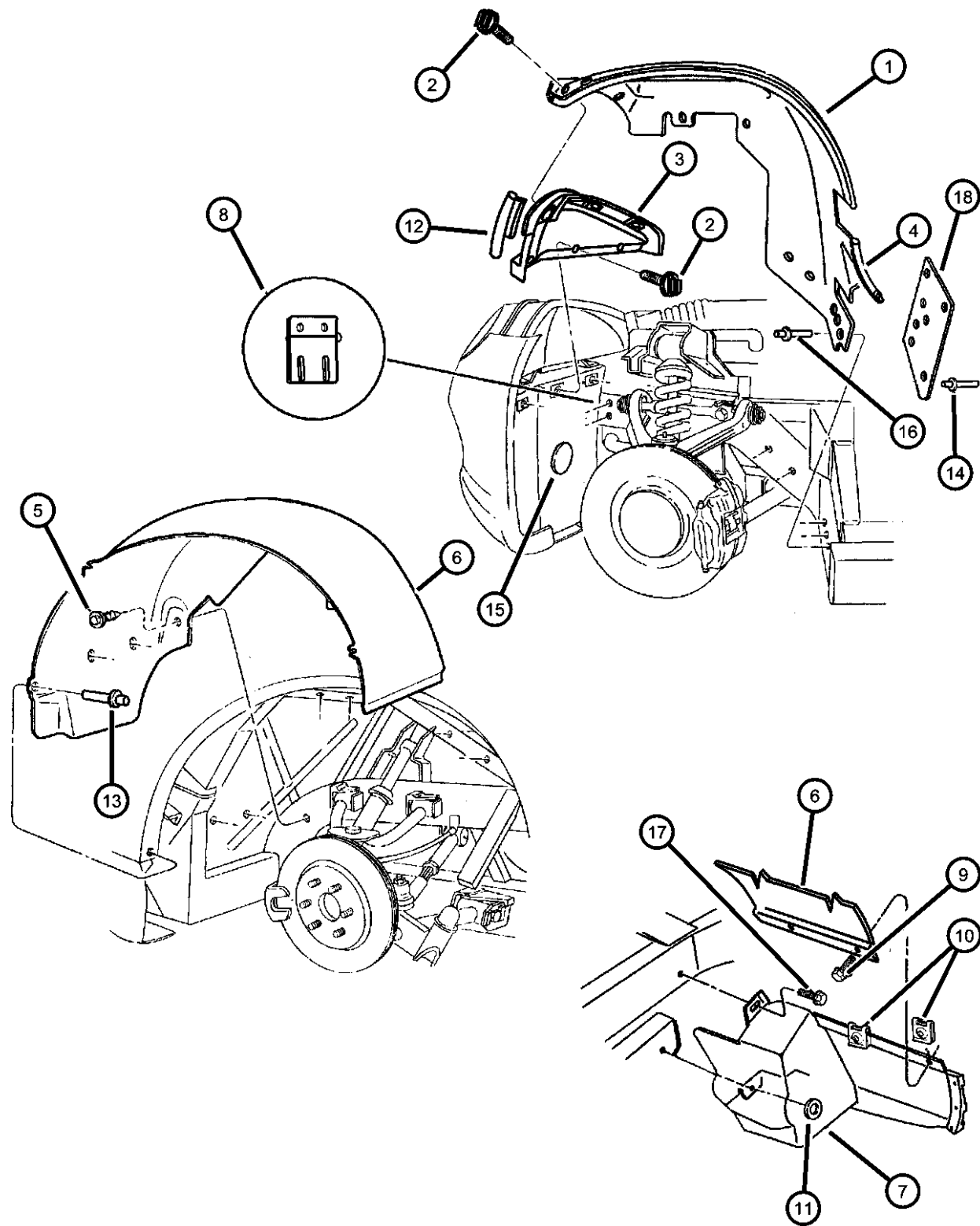


**VIPER GTS COUPE, VIPER RT/10 ROADSTER (SR)**

|                |           |                       |                           |                                   |
|----------------|-----------|-----------------------|---------------------------|-----------------------------------|
| SERIES         | LINE      | BODY                  | ENGINE                    | TRANSMISSION                      |
| S = RT/10      | D = DODGE | 27 = 2-DR CONVERTIBLE | EWB = 8.0L V10 SFI Engine | DEC = 6-Speed Manual Transmission |
| S = GTS Coupe  |           | 29 = SPECIALTY COUPE  |                           | DBB = All Manual Transmissions    |
| X = GTS/Lemans |           |                       |                           |                                   |

AR = use ase required - = Non illustrated part

Fender Shield  
Figure SSR-410



| ITEM | PART NUMBER | QTY | LINE | SERIES | BODY | ENGINE | TRANS | TRIM | DESCRIPTION  |
|------|-------------|-----|------|--------|------|--------|-------|------|--|
| 1    | 04763824AB  | 1   |      |        |      |        |       |      | SHIELD, Splash Right                                       |
|      | 04763825AB  | 1   |      |        |      |        |       |      | Left   |
| 2    | 04708180    | 12  |      |        |      |        |       |      | SCREW, Splash Shield                                       |
| 3    | 04643504AB  | 1   |      |        |      |        |       |      | SHIELD, Splash Right                                       |
|      | 04643505AB  | 1   |      |        |      |        |       |      | Left   |
| 4    | 04709030AB  | 2   |      |        |      |        |       |      | WEATHERSTRIP, Front Splash to Hood, Front Splash to Shield |
| 5    | 04709030AB  | 2   |      |        |      |        |       |      | PUSH PIN, 6.3x22.8, (NOT SERVICED)                         |
| 6    | 04763348    | 1   |      |        |      |        |       |      | SHIELD, Splash Right                                       |
|      | 04763349    | 1   |      |        |      |        |       |      | Left   |
| 7    | 04709037    | 1   |      |        |      |        |       |      | SHIELD, Splash Rear Lower, Left                            |
|      | 04763092    | 1   |      |        |      |        |       |      | Rear Lower, Right  |
| 8    | 04709356    | 1   |      |        |      |        |       |      | BRACKET, Bulkhead Right                                    |
|      | 04709357    | 1   |      |        |      |        |       |      | Left   |
| 9    | 00181063    | 5   |      |        |      |        |       |      | SCREW AND WASHER, .25-20x.75                               |
| 10   | 06029074    | 8   |      |        |      |        |       |      | U-NUT, .25-20, .250-20                                     |
| 11   | 06100877    | 3   |      |        | 27   |        |       |      | WASHER, Flat, M6   |
| 12   | 04709031AB  | 2   |      |        |      |        |       |      | WEATHERSTRIP, Front Splash to Hood                         |
| 13   | 06034578    | 2   |      |        | 27   |        |       |      | RIVET, .25 Grip.06-.25                                     |
| 14   | 06500911    | 4   |      |        |      |        |       |      | RIVET, M6.25x28  |
| 15   | 04708057    | 2   |      |        |      |        |       |      | PLUG, Trunk Seal, 3" Round                                 |
| 16   | 04708057    | 2   |      |        |      |        |       |      | RIVET, .250x.492, (NOT SERVICED)                           |
| 17   | 06035135    | 3   |      |        |      |        |       |      | SCREW  |
| 18   | 04708235    | 1   |      |        |      |        |       |      | SHIELD, Wheelhouse, Splash Shield Front                    |

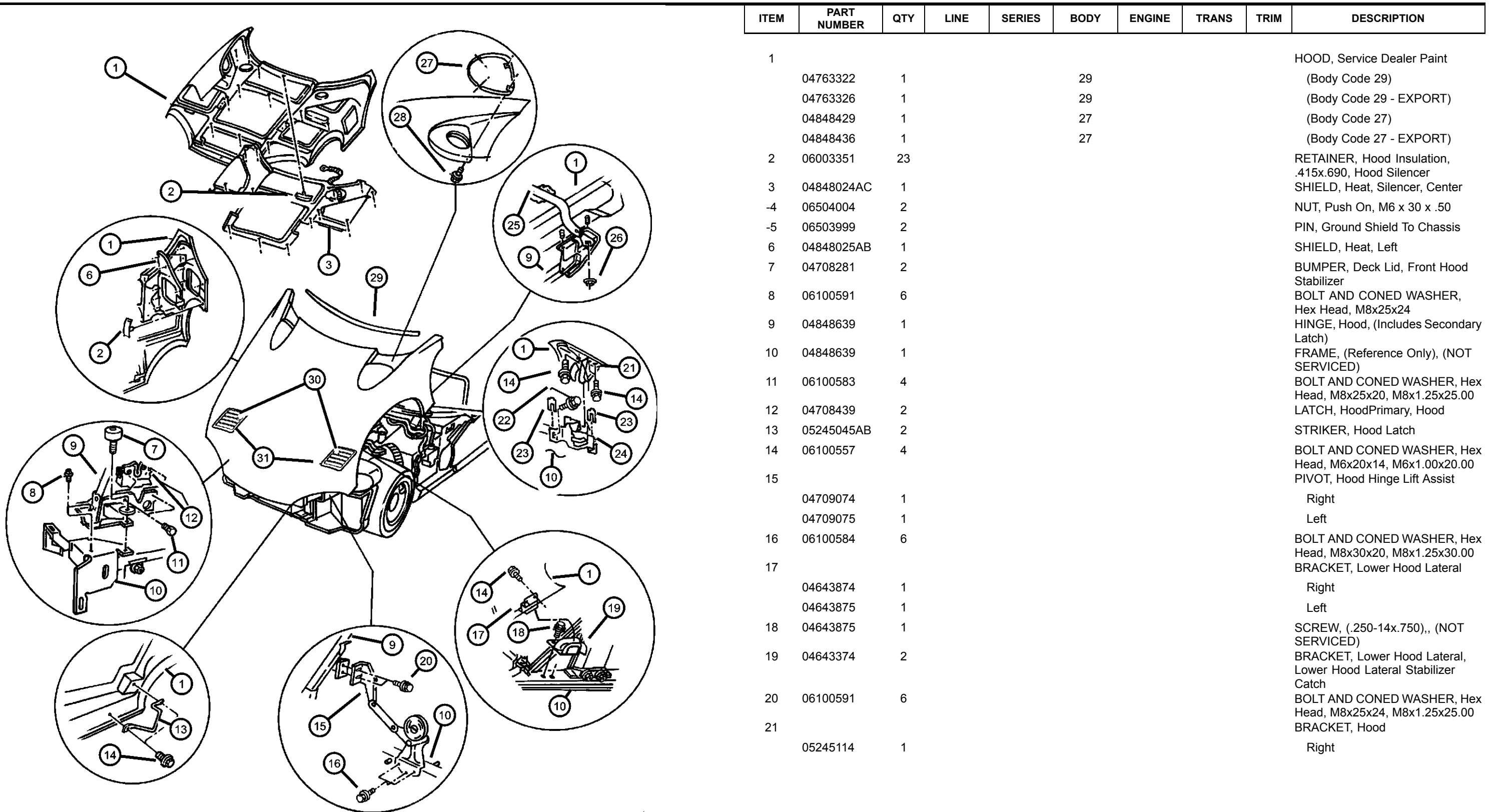
VIPER GTS COUPE,VIPER RT/10 ROADSTER (SR)

| SERIES         | LINE      | BODY                  | ENGINE                    | TRANSMISSION                      |
|----------------|-----------|-----------------------|---------------------------|-----------------------------------|
| S = RT/10      | D = DODGE | 27 = 2-DR CONVERTIBLE | EWB = 8.0L V10 SFI Engine | DEC = 6-Speed Manual Transmission |
| S = GTS Coupe  |           | 29 = SPECIALTY COUPE  |                           | DBB = All Manual Transmissions    |
| X = GTS/Lemans |           |                       |                           |                                   |

AR = use ase required - = Non illustrated part

1997 SR

**Hood Release And Hinge  
Figure SSR-520**

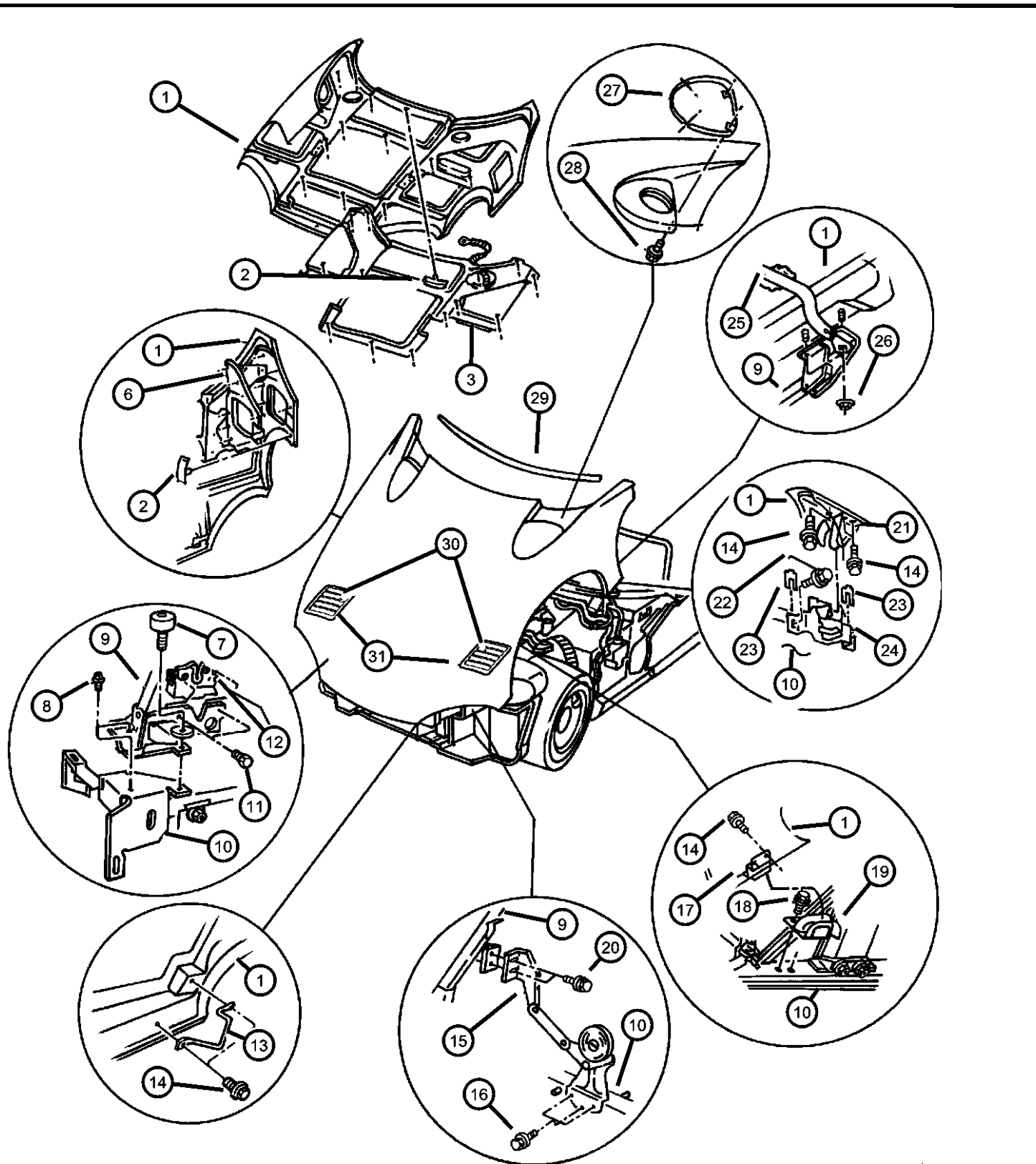


| ITEM | PART NUMBER | QTY | LINE | SERIES | BODY | ENGINE | TRANS | TRIM | DESCRIPTION  |
|------|-------------|-----|------|--------|------|--------|-------|------|--|
| 1    |             |     |      |        |      |        |       |      | HOOD, Service Dealer Paint   |
|      | 04763322    | 1   |      |        | 29   |        |       |      | (Body Code 29)   |
|      | 04763326    | 1   |      |        | 29   |        |       |      | (Body Code 29 - EXPORT)  |
|      | 04848429    | 1   |      |        | 27   |        |       |      | (Body Code 27)   |
|      | 04848436    | 1   |      |        | 27   |        |       |      | (Body Code 27 - EXPORT)  |
| 2    | 06003351    | 23  |      |        |      |        |       |      | RETAINER, Hood Insulation,<br>.415x.690, Hood Silencer                 |
| 3    | 04848024AC  | 1   |      |        |      |        |       |      | SHIELD, Heat, Silencer, Center   |
| -4   | 06504004    | 2   |      |        |      |        |       |      | NUT, Push On, M6 x 30 x .50  |
| -5   | 06503999    | 2   |      |        |      |        |       |      | PIN, Ground Shield To Chassis  |
| 6    | 04848025AB  | 1   |      |        |      |        |       |      | SHIELD, Heat, Left   |
| 7    | 04708281    | 2   |      |        |      |        |       |      | BUMPER, Deck Lid, Front Hood<br>Stabilizer                             |
| 8    | 06100591    | 6   |      |        |      |        |       |      | BOLT AND CONED WASHER,<br>Hex Head, M8x25x24                           |
| 9    | 04848639    | 1   |      |        |      |        |       |      | HINGE, Hood, (Includes Secondary<br>Latch)                             |
| 10   | 04848639    | 1   |      |        |      |        |       |      | FRAME, (Reference Only), (NOT<br>SERVICED)                             |
| 11   | 06100583    | 4   |      |        |      |        |       |      | BOLT AND CONED WASHER, Hex<br>Head, M8x25x20, M8x1.25x25.00            |
| 12   | 04708439    | 2   |      |        |      |        |       |      | LATCH, HoodPrimary, Hood   |
| 13   | 05245045AB  | 2   |      |        |      |        |       |      | STRIKER, Hood Latch  |
| 14   | 06100557    | 4   |      |        |      |        |       |      | BOLT AND CONED WASHER, Hex<br>Head, M6x20x14, M6x1.00x20.00            |
| 15   |             |     |      |        |      |        |       |      | PIVOT, Hood Hinge Lift Assist  |
|      | 04709074    | 1   |      |        |      |        |       |      | Right  |
|      | 04709075    | 1   |      |        |      |        |       |      | Left   |
| 16   | 06100584    | 6   |      |        |      |        |       |      | BOLT AND CONED WASHER, Hex<br>Head, M8x30x20, M8x1.25x30.00            |
| 17   |             |     |      |        |      |        |       |      | BRACKET, Lower Hood Lateral  |
|      | 04643874    | 1   |      |        |      |        |       |      | Right  |
|      | 04643875    | 1   |      |        |      |        |       |      | Left   |
| 18   | 04643875    | 1   |      |        |      |        |       |      | SCREW, (.250-14x.750), (NOT<br>SERVICED)                               |
| 19   | 04643374    | 2   |      |        |      |        |       |      | BRACKET, Lower Hood Lateral,<br>Lower Hood Lateral Stabilizer<br>Catch |
| 20   | 06100591    | 6   |      |        |      |        |       |      | BOLT AND CONED WASHER, Hex<br>Head, M8x25x24, M8x1.25x25.00            |
| 21   |             |     |      |        |      |        |       |      | BRACKET, Hood  |
|      | 05245114    | 1   |      |        |      |        |       |      | Right  |

**VIPER GTS COUPE,VIPER RT/10 ROADSTER (SR)**  
 SERIES                      LINE                      BODY                      ENGINE                      TRANSMISSION  
 S = RT/10                      D = DODGE                      27 = 2-DR CONVERTIBLE                      EWB = 8.0L V10 SFI Engine                      DEC = 6-Speed Manual Transmission  
 S = GTS Coupe                                           29 = SPECIALTY COUPE                                                                                                                                                                                              DBB = All Manual Transmissions  
 X = GTS/Lemans

AR = use ase required    - = Non illustrated part                      1997 SR

### Hood Release And Hinge Figure SSR-520



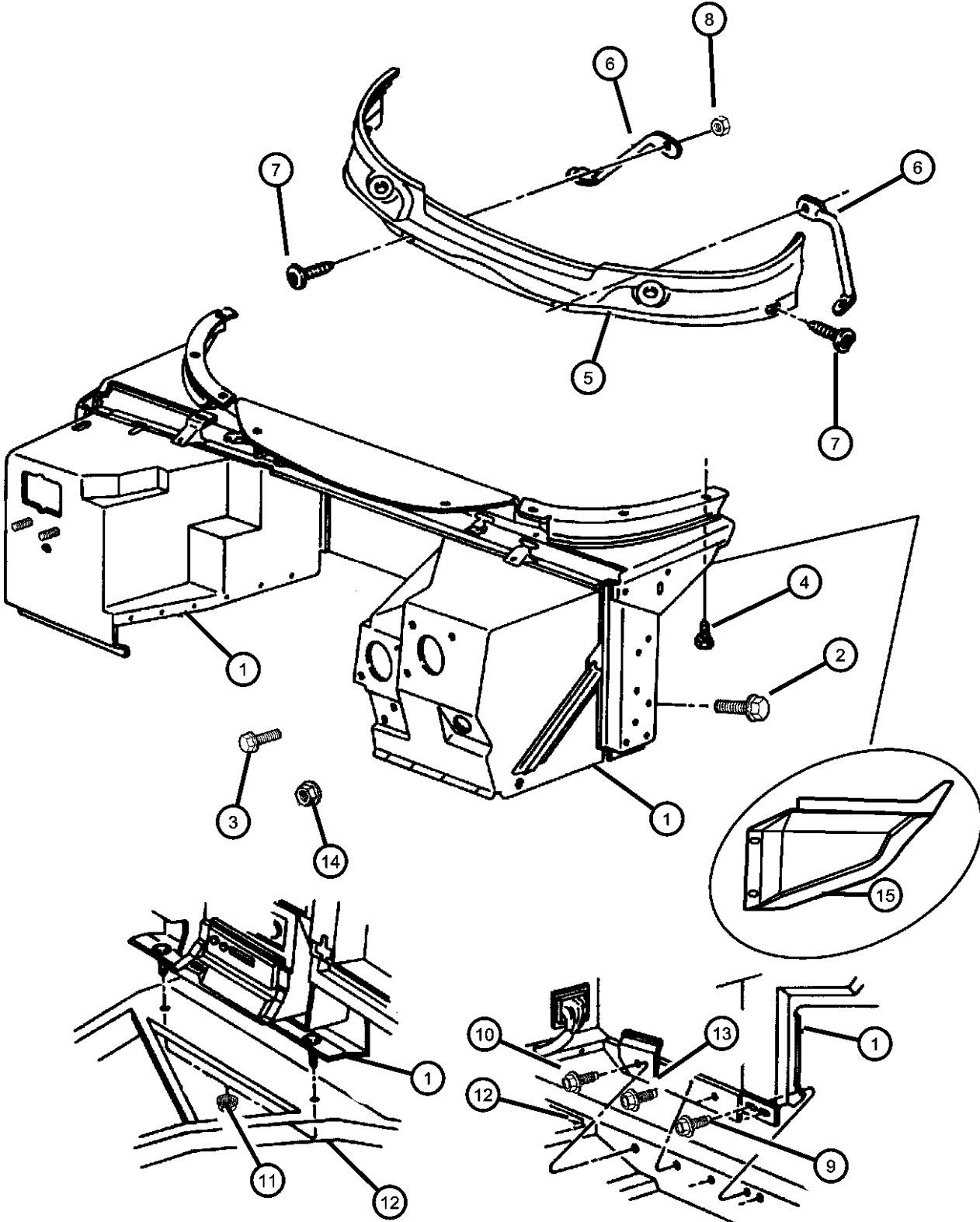
| ITEM | PART NUMBER | QTY | LINE | SERIES | BODY | ENGINE | TRANS | TRIM | DESCRIPTION  |
|------|-------------|-----|------|--------|------|--------|-------|------|--|
|      | 05245115    | 1   |      |        |      |        |       |      | Left   |
| 22   | 05245115    | 1   |      |        |      |        |       |      | SCREW, [M8x1.25x40.00], (NOT SERVICED)                   |
| 23   | 04643463    | AR  |      |        |      |        |       |      | SHIM, Hood Latch   |
| 24   |             |     |      |        |      |        |       |      | BRACKET, Hood  |
|      | 05245116AB  | 1   |      |        |      |        |       |      | Right  |
|      | 05245117AB  | 1   |      |        |      |        |       |      | Left   |
| 25   | 05245117AB  | 1   |      |        |      |        |       |      | ANTENNA, (Reference Only), (NOT SERVICED)                |
| 26   | 06500532    | 4   |      |        |      |        |       |      | NUT AND WASHER, Hex Nut-Coned Washer, M8 x 1.25, M8x1.25 |
| 27   |             |     |      |        |      |        |       |      | SCREEN, Hood   |
|      | 04709248    | 1   |      |        |      |        |       |      | Right  |
|      | 04709249    | 1   |      |        |      |        |       |      | Left   |
| 28   | 04709249    | 1   |      |        |      |        |       |      | SCREW, (.164-18x.625), (NOT SERVICED)                    |
| 29   | 04643073    | 1   |      |        |      |        |       |      | SEAL, Hood To Cowl, Hood to Cowl                         |
| 30   |             |     |      |        |      |        |       |      | LOUVER, Air Outlet                                       |
|      | 04763330    | 1   |      |        | 29   |        |       |      | Right  |
|      | 04763331    | 1   |      |        | 29   |        |       |      | Left   |
| 31   | 04763335    | 1   |      |        | 29   |        |       |      | BEZEL, Nacaduct, NACA Duct                               |

**VIPER GTS COUPE,VIPER RT/10 ROADSTER (SR)**

|                |           |                       |                           |                                   |
|----------------|-----------|-----------------------|---------------------------|-----------------------------------|
| SERIES         | LINE      | BODY                  | ENGINE                    | TRANSMISSION                      |
| S = RT/10      | D = DODGE | 27 = 2-DR CONVERTIBLE | EWB = 8.0L V10 SFI Engine | DEC = 6-Speed Manual Transmission |
| S = GTS Coupe  |           | 29 = SPECIALTY COUPE  |                           | DBB = All Manual Transmissions    |
| X = GTS/Lemans |           |                       |                           |                                   |

AR = use ase required - = Non illustrated part

**Cowl And Dash Panel  
Figure SSR-610**



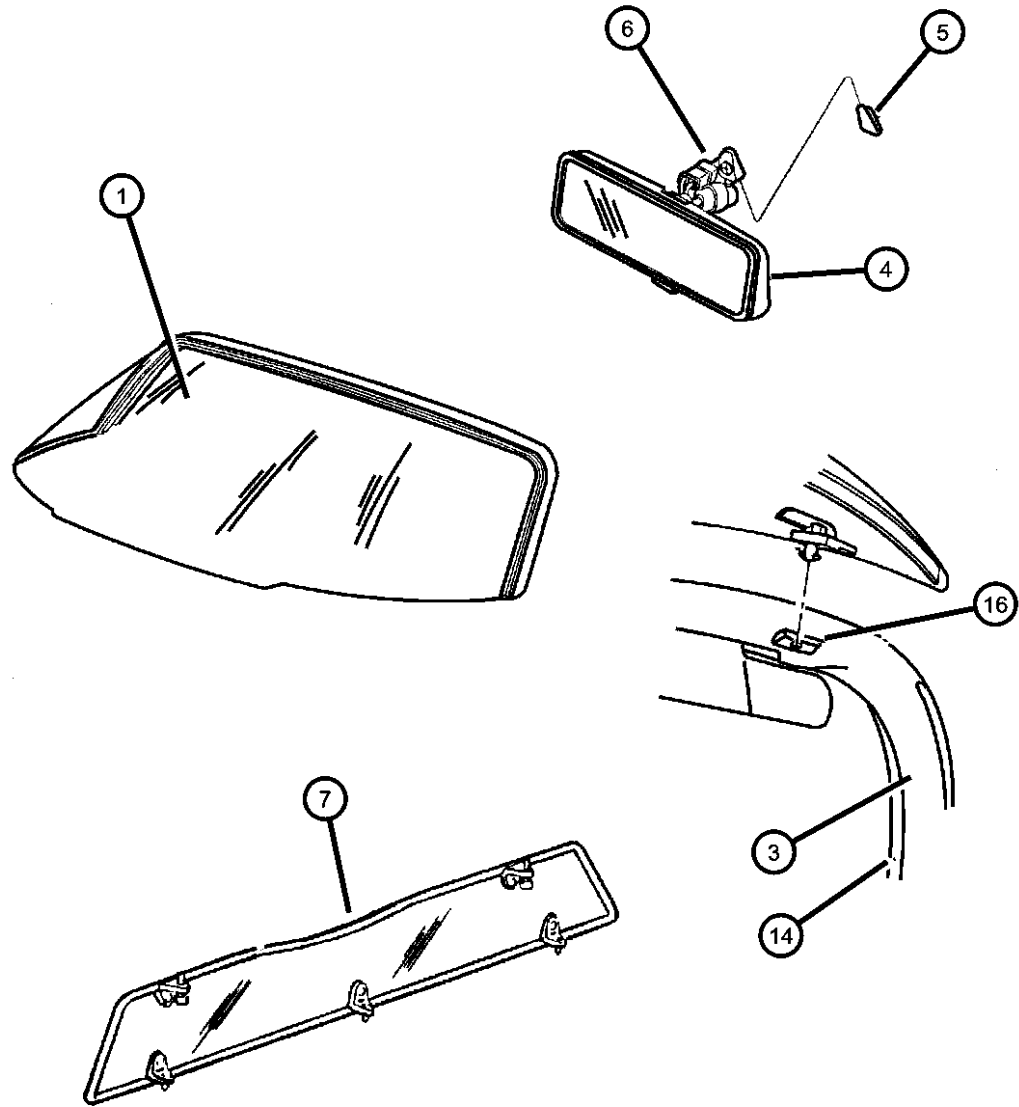
| ITEM | PART NUMBER | QTY | LINE | SERIES | BODY | ENGINE | TRANS | TRIM | DESCRIPTION   |
|------|-------------|-----|------|--------|------|--------|-------|------|---|
| 1    | 04763547    | 1   |      |        |      |        |       |      | PANEL, Dash, Dash   |
| 2    | 06101542    | 4   |      |        |      |        |       |      | SCREW, Hex Head, M8-1.25 x 20, Panel to Frame                                     |
| 3    | 06100544    | 1   |      |        |      |        |       |      | SCREW, Hex Flange Head, M5x0.80x20.00, Pedal to Toe Box                           |
| 4    | 06101452    | 8   |      |        | 29   |        |       |      | SCREW AND WASHER, Hex Head, M8x1.25x20, M8x1.25x20.00                             |
| 5    | 0QN61SX9    | 1   |      |        | 27   |        |       |      | PANEL, Cowl   |
| 6    |             | 1   |      |        | 29   |        |       |      | Cowl  |
| 6    | 05245872    | 1   |      |        |      |        |       |      | ROD, Cowl Panel   |
| 6    | 05245873    | 1   |      |        |      |        |       |      | Right   |
| 6    |             | 1   |      |        |      |        |       |      | Left  |
| 7    |             |     |      |        |      |        |       |      | SCREW   |
| 7    | 06035625    | 4   |      |        | 29   |        |       |      | .190-16x.750  |
| 7    |             | 4   |      |        | 27   |        |       |      | .190-16x.750  |
| 8    | 06502843    | 2   |      |        |      |        |       |      | NUT AND WASHER, Hex Nut-Coned Washer, M6 x 1.00, M6x1.0                           |
| 9    | 06101542    | 8   |      |        |      |        |       |      | SCREW, Hex Head, M8-1.25 x 20   |
| 10   | 06101089    | 6   |      |        |      |        |       |      | SCREW AND WASHER, Hex Head, M10x1.5x40  |
| 11   | 06502337    | 2   |      |        |      |        |       |      | NUT, M10x1.5  |
| 12   | 06502337    | 2   |      |        |      |        |       |      | FRAME, (Refrence Only), (NOT SERVICED)  |
| 13   | 06502337    | 2   |      |        |      |        |       |      | SCREW, (NOT SERVICED)   |
| 14   | 06100516    | 2   |      |        |      |        |       |      | NUT, Hex Flange Lock, M6 Phosphate, M6x1.00, Attach Accellerator Pedal to Toe Box |
| 15   |             |     |      |        |      |        |       |      | COVER, A Pillar   |
| 15   | 04848900AA  | 1   |      |        |      |        |       |      | Right   |
| 15   | 04848901AA  | 1   |      |        |      |        |       |      | Left  |

**VIPER GTS COUPE,VIPER RT/10 ROADSTER (SR)**

|                |           |                       |                           |                                   |
|----------------|-----------|-----------------------|---------------------------|-----------------------------------|
| SERIES         | LINE      | BODY                  | ENGINE                    | TRANSMISSION                      |
| S = RT/10      | D = DODGE | 27 = 2-DR CONVERTIBLE | EWB = 8.0L V10 SFI Engine | DEC = 6-Speed Manual Transmission |
| S = GTS Coupe  |           | 29 = SPECIALTY COUPE  |                           | DBB = All Manual Transmissions    |
| X = GTS/Lemans |           |                       |                           |                                   |

AR = use ase required - = Non illustrated part

**Glass Windshield, Frame And Mirror  
Figure SSR-710**



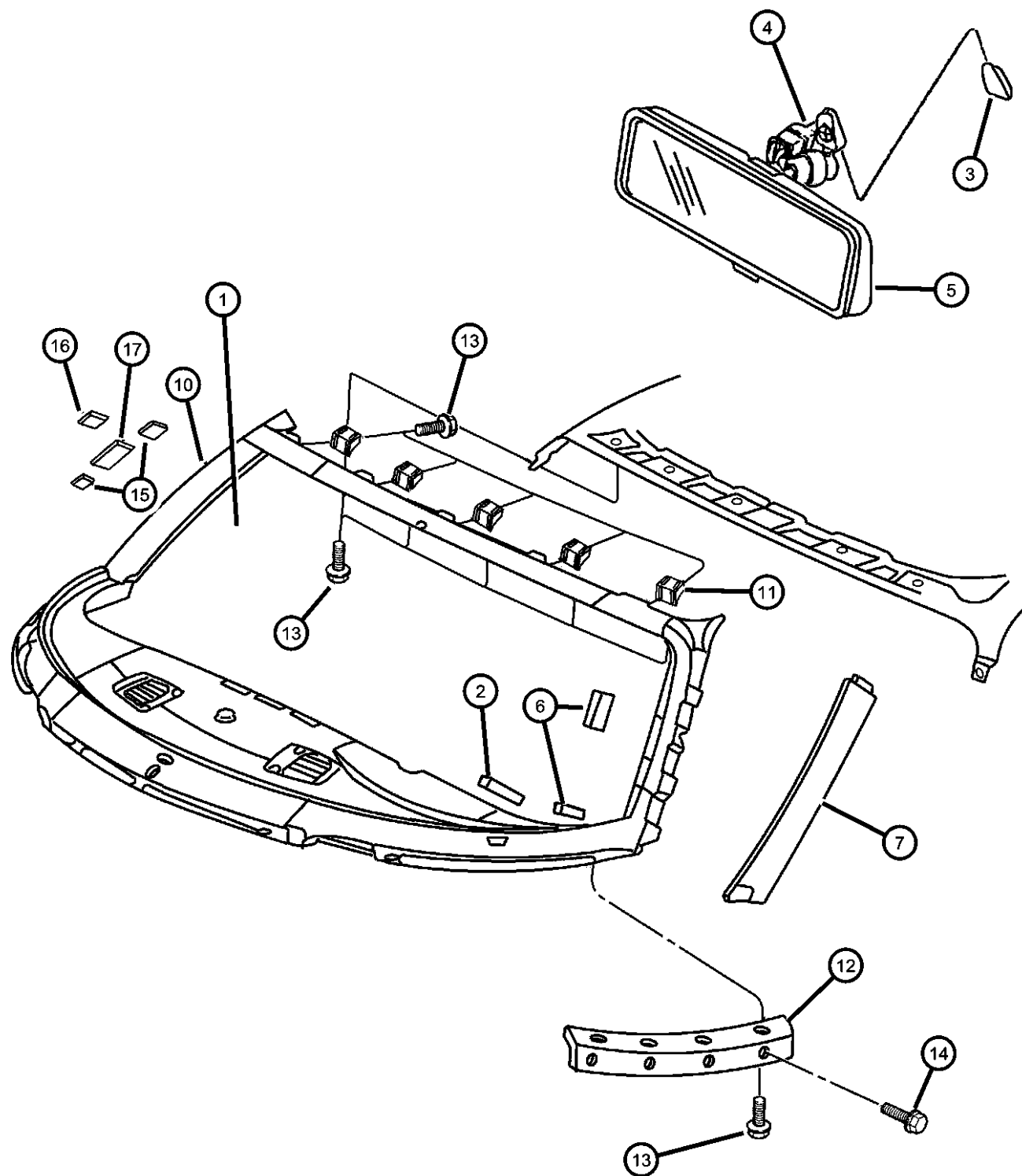
| ITEM | PART NUMBER | QTY | LINE | SERIES | BODY | ENGINE | TRANS | TRIM | DESCRIPTION  |
|------|-------------|-----|------|--------|------|--------|-------|------|--|
| 1    | 04709116AB  | 1   |      |        | 27   |        |       |      | WINDSHIELD   |
| -2   | 04643847    | AR  |      |        |      |        |       |      | SHIM, Windshield                                       |
| 3    | 0PR74DX9AD  | 1   |      |        | 27   |        |       |      | FRAME, Windshield, Windshield Surround                 |
| 4    | 04643256    | 1   |      |        | 27   |        |       |      | MIRROR, Inside Rear View, Lighted, Rear View (Lighted) |
| 5    |             |     |      |        |      |        |       |      | BUTTON, Rear View Mirror                               |
|      | 04054098    | 1   |      |        | 29   |        |       |      | Mirror   |
|      |             | 1   |      |        | 27   |        |       |      | Mirror   |
| 6    | 06031094    | 1   |      |        | 27   |        |       |      | SCREW, Pan Head Tapping, .19-16x.375                   |
| 7    | 04848883AA  | 1   |      |        | 27   |        |       |      | BACKLITE, w/Seal                                       |
| -8   | 04848886AA  | 3   |      |        | 27   |        |       |      | BACKLITE, Snap Assy                                    |
| -9   |             |     |      |        |      |        |       |      | BACKLITE, Lock Cover                                   |
|      | 04848888AA  | 1   |      |        | 27   |        |       |      | Right  |
|      | 04848889AA  | 1   |      |        | 27   |        |       |      | Left   |
| -10  | 04848891AA  | 1   |      |        | 27   |        |       |      | BACKLITE, Lock Package, With Key                       |
| -11  | 04848894AA  | 2   |      |        | 27   |        |       |      | KEY, Backlite, Viper, With Viper Logo                  |
| -12  | 04848895AA  | 2   |      |        | 27   |        |       |      | LOCK COVER, End Cap                                    |
| -13  | 04848896AA  | 2   |      |        | 27   |        |       |      | WASHER, Lock Cylinder, With Seal                       |
| 14   |             |     |      |        |      |        |       |      | RETAINER, A Pillar Trim                                |
|      | 04848306    | 1   |      |        | 27   |        |       |      | Right  |
|      | 04848307    | 1   |      |        | 27   |        |       |      | Left   |
| -15  |             |     |      |        |      |        |       |      | WEATHERSTRIP, A-Pillar to Roof                         |
|      | 04848304AE  | 1   |      |        | 27   |        |       |      | Right  |
|      | 04848305AE  | 1   |      |        | 27   |        |       |      | Left   |
| 16   |             |     |      |        |      |        |       |      | CAP  |
|      | 0RC76DX9AA  | 1   |      |        | 27   |        |       |      | Right  |
|      | 0RC77DX9AA  | 1   |      |        | 27   |        |       |      | Left   |
| -17  | 0GA75LX7    | 1   |      |        | 27   |        |       |      | BAG, Backlite, Backlite Assembly                       |

**VIPER GTS COUPE,VIPER RT/10 ROADSTER (SR)**

| SERIES         | LINE      | BODY                  | ENGINE                    | TRANSMISSION                      |
|----------------|-----------|-----------------------|---------------------------|-----------------------------------|
| S = RT/10      | D = DODGE | 27 = 2-DR CONVERTIBLE | EWB = 8.0L V10 SFI Engine | DEC = 6-Speed Manual Transmission |
| S = GTS Coupe  |           | 29 = SPECIALTY COUPE  |                           | DBB = All Manual Transmissions    |
| X = GTS/Lemans |           |                       |                           |                                   |

AR = use ase required - = Non illustrated part

**Glass Windshield Frame And Mirror Viper Coupe  
Figure SSR-715**



| ITEM | PART NUMBER | QTY | LINE | SERIES | BODY | ENGINE | TRANS | TRIM | DESCRIPTION   |
|------|-------------|-----|------|--------|------|--------|-------|------|---|
| 1    | 04848697AB  | 1   |      |        | 29   |        |       |      | WINDSHIELD  |
| 2    | 04643847    | AR  |      |        |      |        |       |      | SHIM, Windshield, Windshield Mounting                       |
| 3    | 04054098    | 1   |      |        | 29   |        |       |      | BUTTON, Rear View Mirror, Mirror                            |
| 4    | 06031094    | 1   |      |        | 27   |        |       |      | SCREW, Pan Head Tapping, .19-16x.375                        |
| 5    | 04848196    | 1   |      |        | 29   |        |       |      | MIRROR ASSEMBLY, I/S Prismatic                              |
| 6    | 04278662    | 6   |      |        |      |        |       |      | SPACER  |
| 7    | 0PE86SBE    | 1   |      |        | 29   |        |       |      | COVER, A Pillar, Silver/Red Or Viper GTS Blue, Right        |
| -8   | 0PE71SBE    | 1   |      |        | 29   |        |       |      | COVER, A Pillar Trim, Silver/Red Or Viper GTS Blue, Left    |
| -9   |             |     |      |        |      |        |       |      | WEATHERSTRIP, A-Pillar to Roof                              |
|      | 04848304AE  | 1   |      |        | 27   |        |       |      | Right   |
|      | 04848305AE  | 1   |      |        | 27   |        |       |      | Left  |
| 10   | 0QM22SX4    | 1   |      |        | 29   |        |       |      | FRAME, Windshield Surround                                  |
| 11   | 04848823    | 5   |      |        | 29   |        |       |      | BRACKET, Windshield Frame to Roof, Windshield Frame to Roof |
| 12   |             |     |      |        |      |        |       |      | BRACKET, Windshield   |
|      | 04848526    | 1   |      |        |      |        |       |      | Right   |
|      | 04848527    | 1   |      |        |      |        |       |      | Left  |
| 13   | 06100582    | 8   |      |        |      |        |       |      | BOLT AND CONED WASHER, Hex Head, M8x20x20, M8X1.25x20.00    |
| 14   | 06100582    | 8   |      |        |      |        |       |      | SCREW AND WASHER, (M10x1.50x30.00), (NOT SERVICED)          |
| 15   |             |     |      |        |      |        |       |      | RETAINER, Front Pillar to Glass                             |
|      | 04763888AB  | 1   |      |        | 29   |        |       |      | Right   |
|      | 04763889AB  | 1   |      |        | 29   |        |       |      | Left  |
| 16   | 05245843    | 2   |      |        | 29   |        |       |      | LOCK COVER, Dual, Cover Half                                |
| 17   | 05245842    | 2   |      |        | 29   |        |       |      | LOCK COVER, Dual, Body Half                                 |

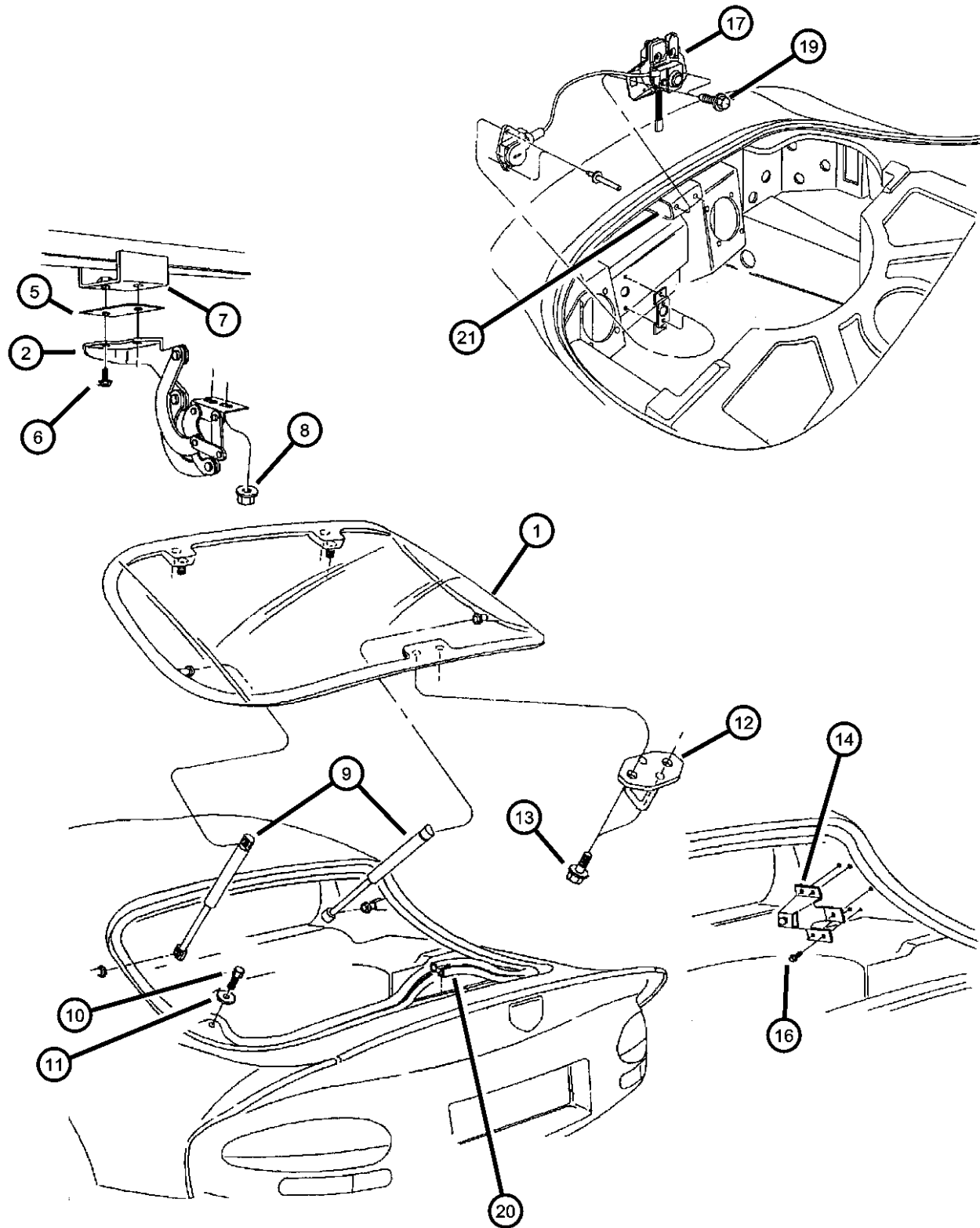
**VIPER GTS COUPE,VIPER RT/10 ROADSTER (SR)**

|                |           |                       |                           |                                   |
|----------------|-----------|-----------------------|---------------------------|-----------------------------------|
| SERIES         | LINE      | BODY                  | ENGINE                    | TRANSMISSION                      |
| S = RT/10      | D = DODGE | 27 = 2-DR CONVERTIBLE | EWB = 8.0L V10 SFI Engine | DEC = 6-Speed Manual Transmission |
| S = GTS Coupe  |           | 29 = SPECIALTY COUPE  |                           | DBB = All Manual Transmissions    |
| X = GTS/Lemans |           |                       |                           |                                   |

AR = use ase required - = Non illustrated part



**Glass, Backlite Hardtop  
Figure SSR-720**



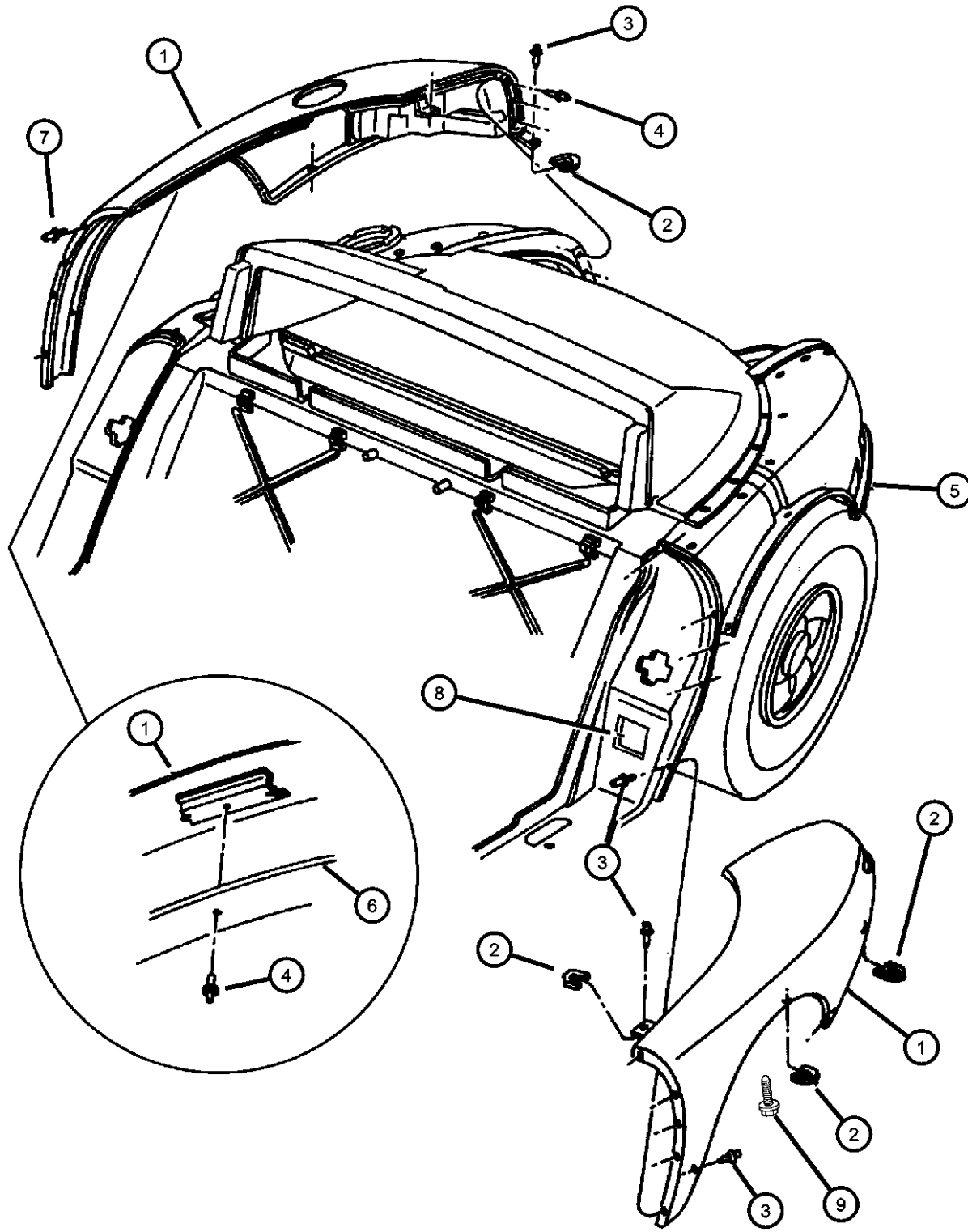
| ITEM | PART NUMBER | QTY | LINE | SERIES | BODY | ENGINE | TRANS | TRIM | DESCRIPTION  |
|------|-------------|-----|------|--------|------|--------|-------|------|--|
| 1    | 04763380    | 1   |      |        | 29   |        |       |      | BACKLITE   |
| 2    |             |     |      |        |      |        |       |      | HINGE, Liftgate  |
|      | 04763964    | 1   |      |        | 29   |        |       |      | Right  |
|      | 04763965    | 1   |      |        | 29   |        |       |      | Left   |
| -3   |             |     |      |        |      |        |       |      | COVER, Hinge   |
|      | 0QM20SX9    | 1   |      |        | 29   |        |       |      | Liftgate, Right  |
|      | 0QM21SX9    | 1   |      |        | 29   |        |       |      | Liftgate, Left   |
| -4   | 06035857    | 8   |      |        | 29   |        |       |      | PIN PUSH, .281x.770, Push-In                             |
| 5    | 04848225    | AR  |      |        | 29   |        |       |      | SHIM, Liftgate Hinge, To Sport Bar                       |
| 6    | 06100567    | 3   |      |        | 29   |        |       |      | SCREW AND WASHER, Hex Head, M6x1x25                      |
| 7    | 04848685    | 1   |      |        | 29   |        |       |      | BAR, Sport   |
| 8    |             |     |      |        |      |        |       |      | NUT AND WASHER   |
|      | 06501941    | 5   |      |        | 27   |        |       |      | Liftgate Hinge To Glass                                  |
|      |             | 2   |      |        | 29   |        |       |      | Liftgate Hinge To Glass                                  |
| 9    | 04763387AB  | 2   |      |        | 29   |        |       |      | PROP, Backlite, Backlite                                 |
| 10   | 05256749    | 2   |      |        | 29   |        |       |      | BUMPER, Deck Lid Adjuster, Adjuster                      |
| 11   | 04848474    | 1   |      |        | 29   |        |       |      | GASKET, Bumper Bracket                                   |
| 12   | 04763384    | 1   |      |        | 29   |        |       |      | STRIKER, Backlite, Backlite                              |
| 13   | 06501941    | 4   |      |        |      |        |       |      | NUT AND WASHER, Attaching, Deck Lid Hinge                |
| 14   |             |     |      |        |      |        |       |      | BRACKET, Liftgate  |
|      | 04848358    | 1   |      |        | 29   |        |       |      | Right, Prop Rod, Mounting                                |
|      | 04848359    | 1   |      |        | 29   |        |       |      | Left, Prop Rod, Mounting                                 |
| -15  |             |     |      |        |      |        |       |      | REINFORCEMENT, Mounting                                  |
|      | 05245666    | 1   |      |        | 29   |        |       |      | Right, Prop Rod  |
|      | 05245667    | 1   |      |        | 29   |        |       |      | Left, Prop Rod   |
| 16   | 06100557    | 4   |      |        |      |        |       |      | BOLT AND CONED WASHER, Hex Head, M6x20x14                |
| 17   | 05245886    | 1   |      |        | 29   |        |       |      | LATCH, CABLE AND SWITCH                                  |
| -18  | 04848767    | 1   |      |        | 29   |        |       |      | BRACKET, Trunk Lamp Mounting, Trunk Lamp Mounting        |
| 19   | 06100583    | 4   |      |        |      |        |       |      | BOLT AND CONED WASHER, Hex Head, M8x25x20Latch Attaching |
| 20   | 04763671    | 1   |      |        | 29   |        |       |      | WEATHERSTRIP, Liftgate Glass                             |
| 21   | 04763386    | 1   |      |        | 29   |        |       |      | BRACKET, Mounting, Backlite Latch Mounting               |

**VIPER GTS COUPE,VIPER RT/10 ROADSTER (SR)**

|                |           |                       |                           |                                   |
|----------------|-----------|-----------------------|---------------------------|-----------------------------------|
| SERIES         | LINE      | BODY                  | ENGINE                    | TRANSMISSION                      |
| S = RT/10      | D = DODGE | 27 = 2-DR CONVERTIBLE | EWB = 8.0L V10 SFI Engine | DEC = 6-Speed Manual Transmission |
| S = GTS Coupe  |           | 29 = SPECIALTY COUPE  |                           | DBB = All Manual Transmissions    |
| X = GTS/Lemans |           |                       |                           |                                   |

AR = use ase required - = Non illustrated part

Rear Quarter Panel  
Figure SSR-910



| ITEM | PART NUMBER | QTY | LINE | SERIES | BODY | ENGINE | TRANS | TRIM | DESCRIPTION   |
|------|-------------|-----|------|--------|------|--------|-------|------|---|
| 1    |             |     |      |        |      |        |       |      | PANEL, Quarter, Service Dealer Paint                    |
|      | 04763340    | 1   |      |        | 29   |        |       |      | Right   |
|      | 04763341    | 1   |      |        | 29   |        |       |      | Left  |
|      | 04848232AB  | 1   |      |        | 27   |        |       |      | Right   |
|      | 04848233AB  | 1   |      |        | 27   |        |       |      | Left  |
| 2    | 04643893    | AR  |      |        |      |        |       |      | SHIM, Quarter Panel                                     |
| 3    | 06034844    | AR  |      |        | 29   |        |       |      | RIVET, Blind, .250x.375/.562                            |
| 4    | 06034645    | 14  |      |        | 27   |        |       |      | RIVET, .25 Grip-.06-.25                                 |
| 5    | 04848202    | 2   |      |        | 27   |        |       |      | SEAL, Panel, Quarter Panel Lower                        |
| 6    | 04848202    | 2   |      |        |      |        |       |      | PANEL, Body Side, Rear (Reference Only), (NOT SERVICED) |
| 7    |             |     |      |        |      |        |       |      | RIVET, .25 Grip.06-.25                                  |
|      | 06034578    | 12  |      |        | 29   |        |       |      |   |
|      |             | 2   |      |        | 27   |        |       |      |   |
| 8    | 04708021    | 2   |      |        |      |        |       |      | LABEL, Exhaust Warning                                  |
| 9    | 06101455    | 2   |      |        |      |        |       |      | SCREW AND WASHER, Hex Head, M6x1x20                     |

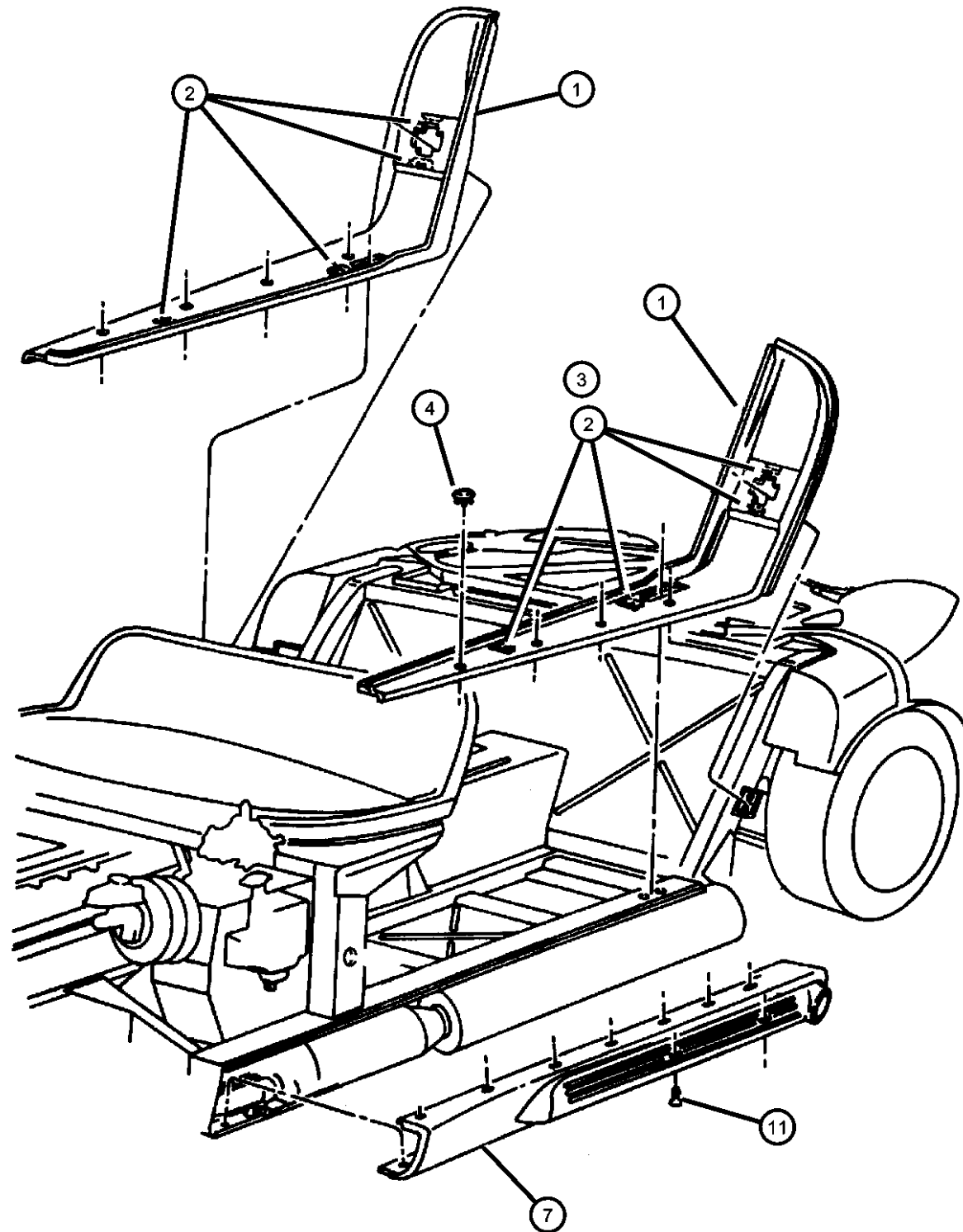
VIPER GTS COUPE,VIPER RT/10 ROADSTER (SR)

| SERIES         | LINE      | BODY                  | ENGINE                    | TRANSMISSION                      |
|----------------|-----------|-----------------------|---------------------------|-----------------------------------|
| S = RT/10      | D = DODGE | 27 = 2-DR CONVERTIBLE | EWB = 8.0L V10 SFI Engine | DEC = 6-Speed Manual Transmission |
| S = GTS Coupe  |           | 29 = SPECIALTY COUPE  |                           | DBB = All Manual Transmissions    |
| X = GTS/Lemans |           |                       |                           |                                   |

AR = use ase required - = Non illustrated part

1997 SR

Loose Panel  
Figure SSR-1010



| ITEM                                  | PART NUMBER | QTY | LINE | SERIES | BODY | ENGINE | TRANS | TRIM | DESCRIPTION   |
|---------------------------------------|-------------|-----|------|--------|------|--------|-------|------|---|
| Note:<br>[P.A.R.] = Paint As Required |             |     |      |        |      |        |       |      |   |
| 1                                     |             |     |      |        |      |        |       |      | PANEL, Door Surround  |
|                                       | 04848838AA  | 1   |      |        |      |        |       |      | Service Dealer Paint, Right   |
|                                       | 04848839AA  | 1   |      |        |      |        |       |      | Service Dealer Paint, Left  |
| 2                                     | 35022111    | AR  |      |        |      |        |       |      | SPACER, Fender, 1.0   |
| 3                                     | 35022112    | AR  |      |        |      |        |       |      | SPACER, Fender, 1.5   |
| 4                                     | 04848881AA  | 8   |      |        |      |        |       |      | PLUG, Body, .75 Diameter  |
| -5                                    | 04708021    | 2   |      |        |      |        |       |      | LABEL, Exhaust Warning  |
| -6                                    | 04708022    | 2   |      |        | 27   |        |       |      | LABEL, Warning Bar  |
| 7                                     |             |     |      |        |      |        |       |      | PANEL, Sill   |
|                                       | 04763640AD  | 1   |      |        |      |        |       |      | Right   |
|                                       | 04763641AD  | 1   |      |        |      |        |       |      | Left  |
| -8                                    | 06504580    | 20  |      |        |      |        |       |      | SCREW, Hex Flange Head<br>Tapping, M4.8x1.59x13,<br>M4.8x1.59x13.00 |
| -9                                    |             |     |      |        |      |        |       |      | CAP   |
|                                       | 05245544    | 1   |      |        |      |        |       |      | Right   |
|                                       | 05245545    | 1   |      |        |      |        |       |      | Left  |
| -10                                   |             |     |      |        |      |        |       |      | CLADDING, Front Sill  |
|                                       | 04708428    | 1   |      |        |      |        |       |      | Right   |
|                                       | 04708429    | 1   |      |        |      |        |       |      | Left  |
| 11                                    | 06504580    | 20  |      |        |      |        |       |      | SCREW, Hex Flange Head<br>Tapping, M4.8x1.59x13,<br>M4.8X1.59X13.00 |

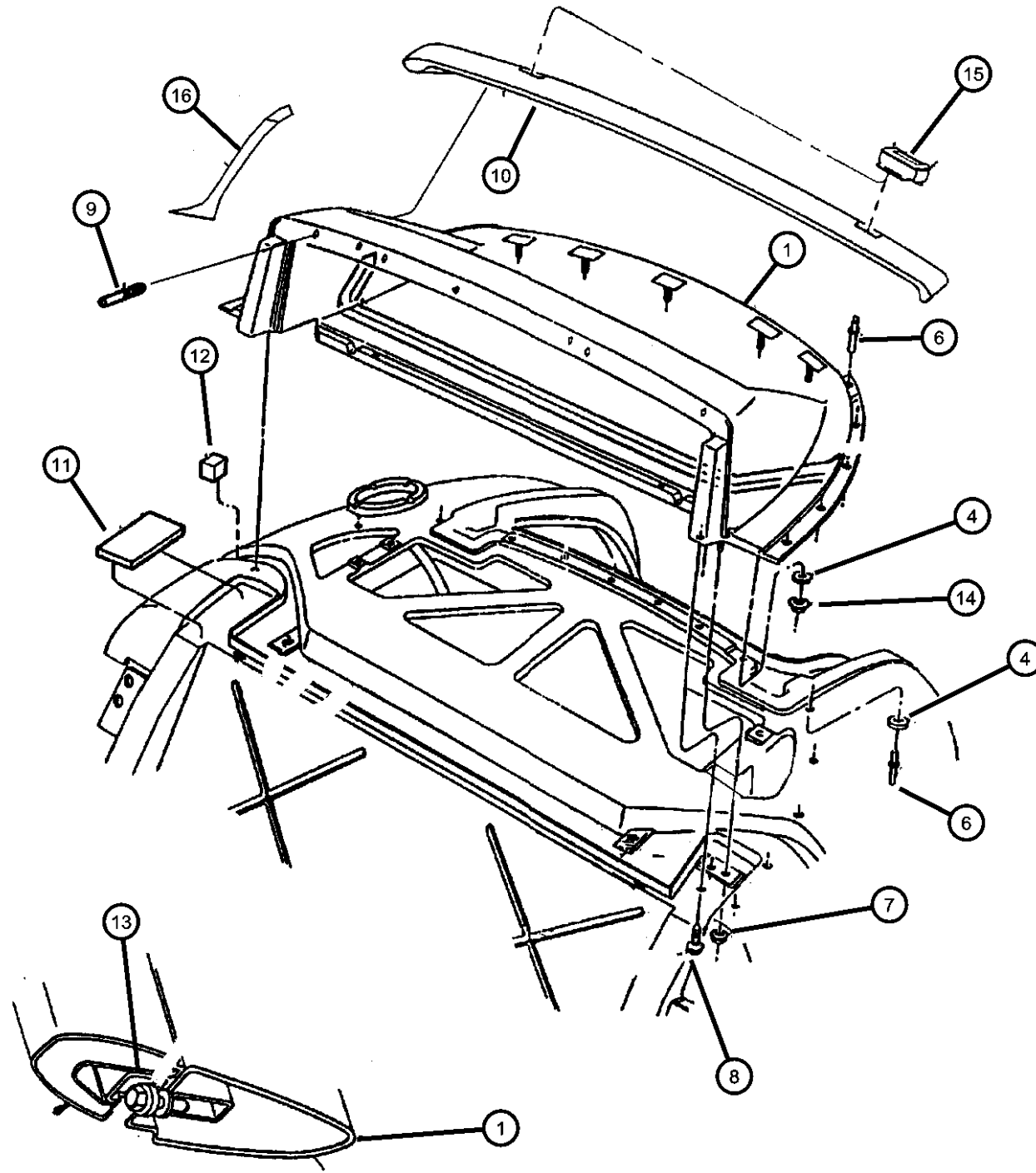
VIPER GTS COUPE,VIPER RT/10 ROADSTER (SR)

| SERIES         | LINE      | BODY                  | ENGINE                    | TRANSMISSION                      |
|----------------|-----------|-----------------------|---------------------------|-----------------------------------|
| S = RT/10      | D = DODGE | 27 = 2-DR CONVERTIBLE | EWB = 8.0L V10 SFI Engine | DEC = 6-Speed Manual Transmission |
| S = GTS Coupe  |           | 29 = SPECIALTY COUPE  |                           | DBB = All Manual Transmissions    |
| X = GTS/Lemans |           |                       |                           |                                   |

AR = use ase required - = Non illustrated part

1997 SR

**Sport Cap  
Figure SSR-1110**



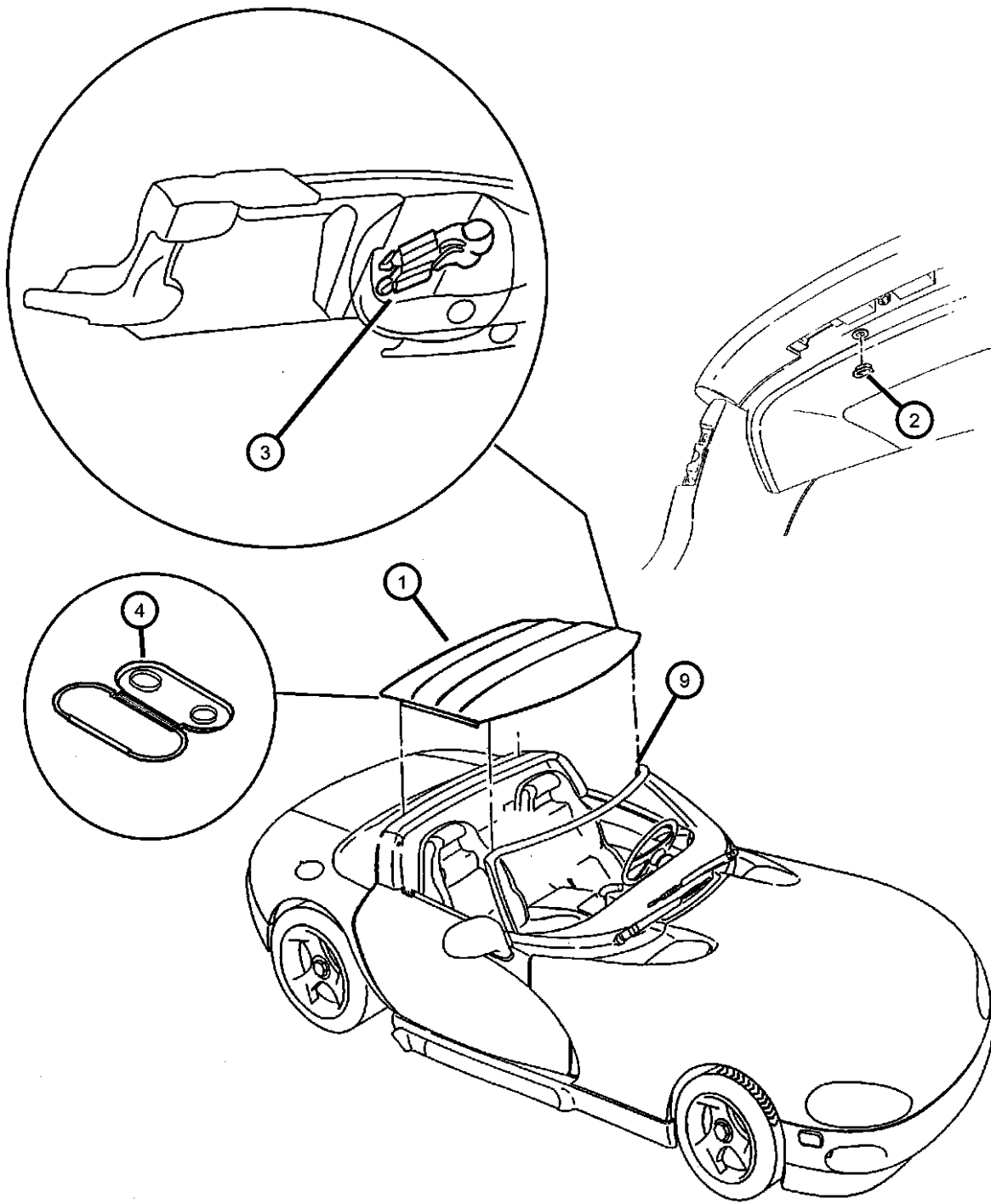
| ITEM | PART NUMBER | QTY | LINE | SERIES | BODY | ENGINE | TRANS | TRIM | DESCRIPTION  |
|------|-------------|-----|------|--------|------|--------|-------|------|--|
| 1    | 04848848AA  | 1   |      |        | 27   |        |       |      | PANEL, Sport Cap   |
| -2   | 06034756    | 10  |      |        | 27   |        |       |      | RIVET, Blind, .156x.460, Sport Cap Mounting Bracket Attach |
| -3   | 04848876AA  | 2   |      |        | 27   |        |       |      | BRACKET, Quarter Trim, Quarter Trim                        |
| 4    | 04848876AA  | 2   |      |        |      |        |       |      | WASHER, Sport Cap, (NOT SERVICED)                          |
| -5   | 06503139    | 5   |      |        | 27   |        |       |      | SCREW, Tress Head, M5x.80x15, (Attach Sport Cap Cover)     |
| 6    | 06034578    | 12  |      |        | 29   |        |       |      | RIVET, .25 Grip.06-.25                                     |
| 7    | 06502337    | 4   |      |        | 27   |        |       |      | NUT, M10x1.5   |
| 8    | 06503675    | 2   |      |        |      |        |       |      | SCREW AND WASHER, Hex Head, M10x1.5x40, M10x1.50x40.00     |
| 9    | 06035227    | 2   |      |        | 27   |        |       |      | STUD, .312-18x1.875  |
| 10   | 0PR73DX9    | 1   |      |        | 27   |        |       |      | PAD, Sport Cap   |
| 11   | 0PR73DX9    | 1   |      |        |      |        |       |      | DEADNER, Body Panel, (NOT SERVICED)                        |
| 12   | 04848371    | 2   |      |        | 27   |        |       |      | SEAL, Sport Cap Base, Sport Cap Base                       |
| 13   | 04848371    | 2   |      |        |      |        |       |      | SCREW, and WASHER, M8x1.25x40.00,, (NOT SERVICED)          |
| 14   | 04643353    | AR  |      |        |      |        |       |      | SHIM, Floor Pan Isolator, Floor Pan Isolator               |
| 15   | 0QX23DX9AA  | 2   |      |        | 27   |        |       |      | GROMMET, Sport Cap   |
| 16   | 0RV88DX9AA  | 1   |      |        | 27   |        |       |      | COVER, "B" Pillar Outside Right                            |
|      | 0RV89DX9AA  | 1   |      |        | 27   |        |       |      | Left   |

**VIPER GTS COUPE,VIPER RT/10 ROADSTER (SR)**

|                |           |                       |                           |                                   |
|----------------|-----------|-----------------------|---------------------------|-----------------------------------|
| SERIES         | LINE      | BODY                  | ENGINE                    | TRANSMISSION                      |
| S = RT/10      | D = DODGE | 27 = 2-DR CONVERTIBLE | EWB = 8.0L V10 SFI Engine | DEC = 6-Speed Manual Transmission |
| S = GTS Coupe  |           | 29 = SPECIALTY COUPE  |                           | DBB = All Manual Transmissions    |
| X = GTS/Lemans |           |                       |                           |                                   |

AR = use ase required - = Non illustrated part

Toupette Assembly-top  
Figure SSR-1120



| ITEM | PART NUMBER | QTY | LINE | SERIES | BODY | ENGINE | TRANS | TRIM | DESCRIPTION   |
|------|-------------|-----|------|--------|------|--------|-------|------|---|
| 1    | 0PK61SX9AD  | 1   |      |        | 27   |        |       |      | TOP, Toupette   |
| 2    | 04643927AB  | 2   |      |        | 27   |        |       |      | GROMMET, Sport Cap, Sport Cap   |
| 3    |             |     |      |        |      |        |       |      | WEATHERSTRIP, A-Pillar to Roof  |
|      | 04848644AD  | 1   |      |        | 27   |        |       |      | Right   |
|      | 04848645AD  | 1   |      |        | 27   |        |       |      | Left  |
| 4    | 04848902AA  | 4   |      |        | 27   |        |       |      | COVER, Weatherstrip,<br>Weatherstrip Nut  |
| -5   | 0HC41BX7AB  | 1   |      |        | 27   |        |       |      | STORAGE BAG, Top, Toupette Top  |
| -6   | 82300961    | 1   |      |        |      |        |       |      | COVER, Tonneau  |
| -7   | 06035085    | 3   |      |        | 27   |        |       |      | SCREW, Tapping, .164-15x1, Snap<br>Tonneau Cover Mounting   |
| -8   | 06035227    | 2   |      |        | 27   |        |       |      | STUD, .312-18x1.875, Toupette<br>Hook Attach  |
| 9    | 05015402AA  | 1   |      |        | 27   |        |       |      | PLATE, Frame Reinforcement,<br>These Are Camplates That Go<br>Around The Hole Where The<br>Removable Hardtop Pins Go In |

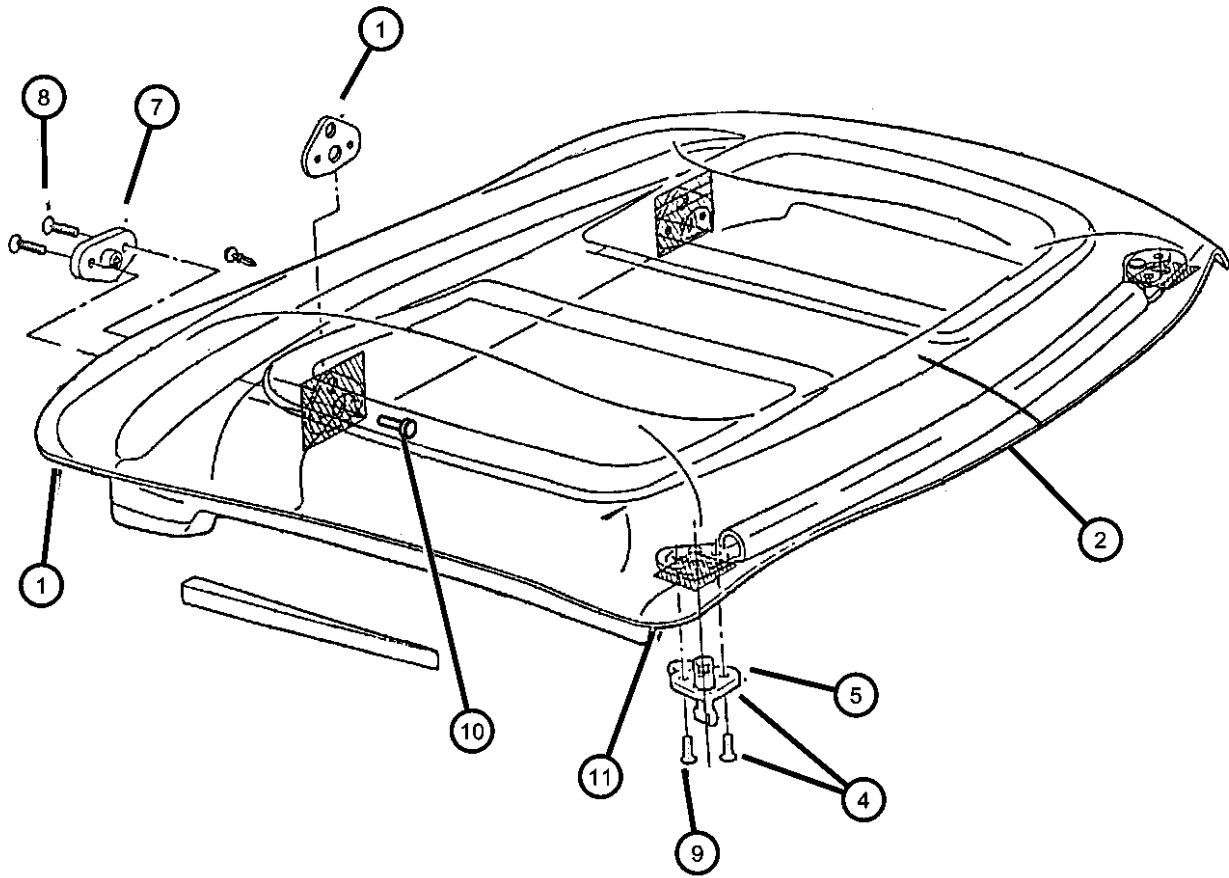
VIPER GTS COUPE,VIPER RT/10 ROADSTER (SR)

|                |           |                       |                           |                                   |
|----------------|-----------|-----------------------|---------------------------|-----------------------------------|
| SERIES         | LINE      | BODY                  | ENGINE                    | TRANSMISSION                      |
| S = RT/10      | D = DODGE | 27 = 2-DR CONVERTIBLE | EWB = 8.0L V10 SFI Engine | DEC = 6-Speed Manual Transmission |
| S = GTS Coupe  |           | 29 = SPECIALTY COUPE  |                           | DBB = All Manual Transmissions    |
| X = GTS/Lemans |           |                       |                           |                                   |

AR = use ase required - = Non illustrated part

1997 SR

**Hard Top Convertible  
Figure SSR-1125**



| ITEM | PART NUMBER | QTY | LINE | SERIES | BODY | ENGINE | TRANS | TRIM | DESCRIPTION |
|------|-------------|-----|------|--------|------|--------|-------|------|-------------|
|------|-------------|-----|------|--------|------|--------|-------|------|-------------|

Note: The Allen Wrench Is A Common Tool and Will Not Be Set Up For Service.

|     |            |   |  |  |    |  |  |  |   |
|-----|------------|---|--|--|----|--|--|--|---|
| 1   |            |   |  |  |    |  |  |  | TOP, Hard                                       |
|     | 0PR75LRNAC | 1 |  |  | 27 |  |  |  | Viper Red                                       |
|     | 0PR75SBEAC | 1 |  |  | 27 |  |  |  | Silver  |
| 2   | 05010850AA | 1 |  |  | 27 |  |  |  | HEADLINER KIT, Hard Top                         |
| -3  | 0QK37SX9   | 6 |  |  | 29 |  |  |  | RETAINER, Headliner                             |
| 4   |            |   |  |  |    |  |  |  | LATCH KIT, Hard Top, Front                      |
|     | 05010848AA | 1 |  |  | 27 |  |  |  | (Includes Latch and Screws), Right              |
|     | 05010849AA | 1 |  |  | 27 |  |  |  | (Includes Latch and Screws), Left               |
| 5   |            |   |  |  |    |  |  |  | LATCH, Hard Top                                 |
|     | 04882376   | 1 |  |  | 27 |  |  |  | Latch Only, Right, Front                        |
|     | 04882377   | 1 |  |  | 27 |  |  |  | Latch Only, Left, Front                         |
| -6  |            |   |  |  |    |  |  |  | LATCH KIT, Hard Top, Rear                       |
|     | 05010854AA | 1 |  |  | 27 |  |  |  | Right   |
|     | 05010855AA | 1 |  |  | 27 |  |  |  | Left  |
| 7   | 04882378   | 2 |  |  | 27 |  |  |  | ISOLATOR, [Rear Latch Pin], Pin, Rear, Latch    |
| 8   | 04882378   | 2 |  |  |    |  |  |  | SCREW, M4x0.7x12.0 Pan Head, (NOT SERVICED)     |
| 9   | 04882379   | 1 |  |  | 27 |  |  |  | SCREW, M4x0.7xx16.0 Flat Head                   |
| 10  | 04882381   | 1 |  |  |    |  |  |  | BOLT, M8-1.25x50.0 Shoulder, Hard Top Attaching |
| 11  | 04886404AA | 1 |  |  |    |  |  |  | WEATHERSTRIP                                    |
| -12 | 06100515   | 8 |  |  | 27 |  |  |  | NUT, Hex Flange Lock, M5, Toupette Weatherstrip |
| -13 | 04848902AA | 4 |  |  | 27 |  |  |  | COVER, Weatherstrip, Nut                        |
| -14 | 05010323AA | 1 |  |  | 27 |  |  |  | RAIL KIT, Side, Used For Leak Fix               |

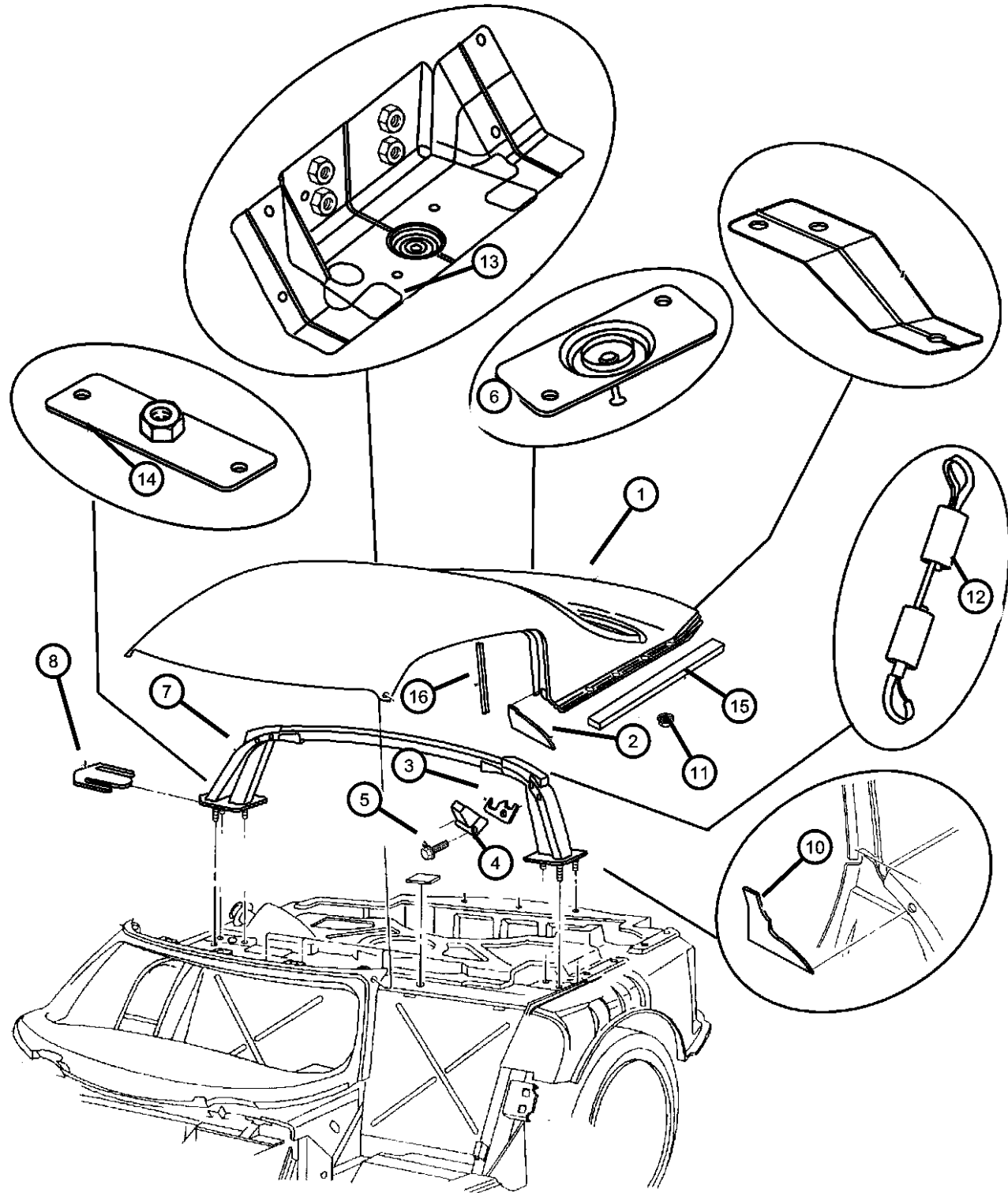
**VIPER GTS COUPE,VIPER RT/10 ROADSTER (SR)**

| SERIES         | LINE      | BODY                  | ENGINE                    | TRANSMISSION                      |
|----------------|-----------|-----------------------|---------------------------|-----------------------------------|
| S = RT/10      | D = DODGE | 27 = 2-DR CONVERTIBLE | EWB = 8.0L V10 SFI Engine | DEC = 6-Speed Manual Transmission |
| S = GTS Coupe  |           | 29 = SPECIALTY COUPE  |                           | DBB = All Manual Transmissions    |
| X = GTS/Lemans |           |                       |                           |                                   |

AR = use ase required - = Non illustrated part

1997 SR

**Roof Panel Viper Coupe  
Figure SSR-1130**



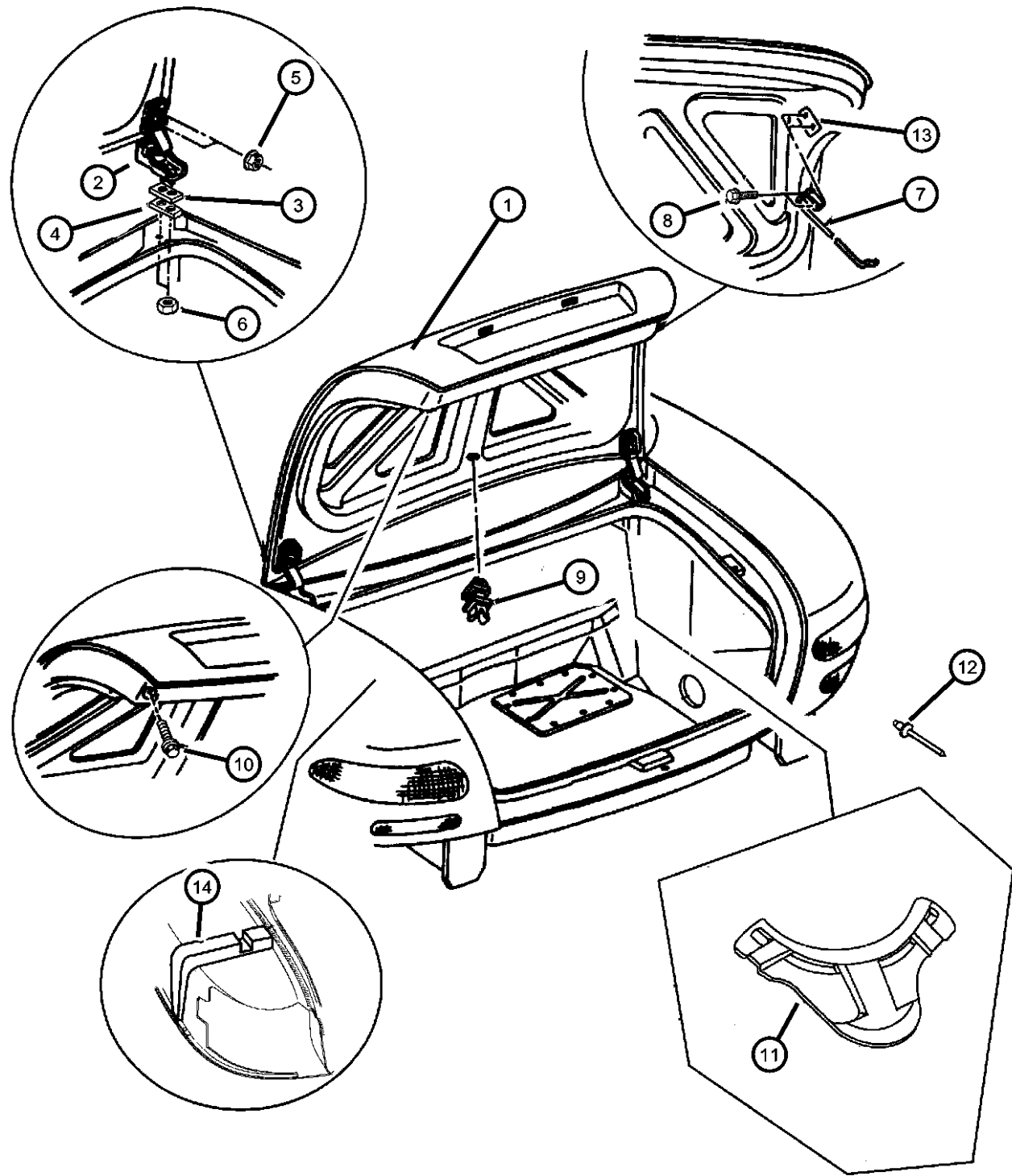
| ITEM | PART NUMBER | QTY | LINE | SERIES | BODY | ENGINE | TRANS | TRIM | DESCRIPTION   |
|------|-------------|-----|------|--------|------|--------|-------|------|---|
| 1    |             |     |      |        |      |        |       |      | PANEL, Roof   |
|      | 0QK241BEAB  | 1   |      |        | 29   |        |       |      | Blue  |
|      | 0QK24LRNAB  | 1   |      |        | 29   |        |       |      | Red   |
| 2    |             |     |      |        |      |        |       |      | SEAL, Door  |
|      | 04763932    | 2   |      |        | 29   |        |       |      | Right   |
|      | 04763933    | 1   |      |        | 29   |        |       |      | Left  |
| 3    | 05245858    | AR  |      |        | 29   |        |       |      | SHIM, Side Rail To Sport Bar  |
| 4    | 04848395    | 2   |      |        | 29   |        |       |      | BRACKET, Roof To Sport Bar  |
| 5    | 06101452    | 8   |      |        | 29   |        |       |      | SCREW AND WASHER, Hex Head, M8x1.25x20  |
| 6    | 05245664    | 4   |      |        | 29   |        |       |      | REINFORCEMENT, Mounting   |
| 7    | 04848685    | 1   |      |        | 29   |        |       |      | BAR, Sport  |
| 8    | 04848790    | AR  |      |        | 29   |        |       |      | SHIM, Sport Bar Base Plate  |
| -9   | 04848849AA  | 2   |      |        | 29   |        |       |      | PLATE, Sport Bar to Frame   |
| 10   |             |     |      |        |      |        |       |      | COVER, Roof to Door Surround  |
|      | 04763930    | 1   |      |        | 29   |        |       |      | Right   |
|      | 04763931    | 1   |      |        | 29   |        |       |      | Left  |
| 11   | 06503825    | 9   |      |        | 29   |        |       |      | NUT AND WASHER, Hex Nut-Coned Washer, M6 x 1.00                                   |
| 12   | 04848265    | 2   |      |        | 29   |        |       |      | CABLE, Roof To Sport Bar Mounting   |
| 13   | 05245640    | 1   |      |        | 29   |        |       |      | REINFORCEMENT, Mounting, Roof Inner Liftgate Latch                                |
| 14   | 05245640    | 1   |      |        |      |        |       |      | REINFORCEMENT, Roof Inner to Sport Bar Gusset, Serviced in Item 7, (NOT SERVICED) |
| 15   | 04848930AA  | 2   |      |        | 29   |        |       |      | SEAL, Enclosure To Body   |
| 16   | 04848929AA  | 2   |      |        | 29   |        |       |      | SEAL, Enclosure To Body   |
| -17  | 04848913AA  | 1   |      |        | 29   |        |       |      | BRACKET, RoofLeft   |
| -18  | 04848128    | 2   |      |        | 29   |        |       |      | WASHER, Sport Bar, Sport Bar Attachment   |
| -19  | 05245853    | 4   |      |        | 29   |        |       |      | NOZZLE, Tube  |
| -20  | 04848768    | 4   |      |        | 29   |        |       |      | SEAL, Impact Joint  |
| -21  | 06101916    | 2   |      |        | 29   |        |       |      | NUT, Hex Weld, M8x1.25, Hex Weld, Roof Inner to Sport Bar Gusset                  |

**VIPER GTS COUPE,VIPER RT/10 ROADSTER (SR)**

|                |           |                       |                           |                                   |
|----------------|-----------|-----------------------|---------------------------|-----------------------------------|
| SERIES         | LINE      | BODY                  | ENGINE                    | TRANSMISSION                      |
| S = RT/10      | D = DODGE | 27 = 2-DR CONVERTIBLE | EWB = 8.0L V10 SFI Engine | DEC = 6-Speed Manual Transmission |
| S = GTS Coupe  |           | 29 = SPECIALTY COUPE  |                           | DBB = All Manual Transmissions    |
| X = GTS/Lemans |           |                       |                           |                                   |

AR = use ase required - = Non illustrated part

Deck Lid  
Figure SSR-1310



| ITEM | PART NUMBER | QTY | LINE | SERIES | BODY | ENGINE | TRANS | TRIM | DESCRIPTION  |
|------|-------------|-----|------|--------|------|--------|-------|------|--|
| 1    |             |     |      |        |      |        |       |      | DECKLID  |
|      | 04642971AB  | 1   |      |        | 27   |        |       |      |  |
|      | 04709181AB  | 1   |      |        | 27   |        |       |      | Export   |
| 2    | 04643062    | 2   |      |        | 27   |        |       |      | HINGE, Deck Lid  |
| 3    | 04643881    | AR  |      |        | 27   |        |       |      | SHIM, Decklid Hinge, .030mm, .030mm                              |
| 4    | 04643882    | AR  |      |        | 27   |        |       |      | SHIM, Decklid Hinge, .060mm, .060mm                              |
| 5    |             |     |      |        |      |        |       |      | NUT AND WASHER, Hex Nut-Coned Washer, M6 x 1.00                  |
|      | 06503825    | 4   |      |        | 27   |        |       |      |  |
|      |             | 2   |      |        | 29   |        |       |      |  |
| 6    | 06501941    | 4   |      |        |      |        |       |      | NUT AND WASHER   |
| 7    | 04643272    | 1   |      |        | 27   |        |       |      | ROD, Deck Lid Prop, Deck Lid Prop                                |
| 8    | 06502407    | 2   |      |        | 27   |        |       |      | SCREW AND WASHER, Hex Head, M6x1x20, M6x1.00x20                  |
| 9    | J4007456    | 1   |      |        | 27   |        |       |      | CLIP, Prop Rod, Prop Rod Deck Lid Stowage                        |
| 10   | 04708281    | 2   |      |        |      |        |       |      | BUMPER, Deck Lid, Deck Lid Overslam                              |
| 11   | 04848241    | 1   |      |        | 27   |        |       |      | COVER, Fuel Tank Access, Fuel Tank Access (Service Dealer Paint) |
| 12   | 06034578    | 12  |      |        | 29   |        |       |      | RIVET, .25 Grip.06-.25   |
| 13   | 04643604    | 1   |      |        | 27   |        |       |      | REINFORCEMENT, Decklid Prop Rod, Decklid Prop Rod Mounting       |
| 14   |             |     |      |        |      |        |       |      | SEAL, TRUNK CLOSEOUT   |
|      | 04848206    | 1   |      |        | 27   |        |       |      | Right  |
|      | 04848207    | 1   |      |        | 27   |        |       |      | Left   |

VIPER GTS COUPE,VIPER RT/10 ROADSTER (SR)

| SERIES         | LINE      | BODY                  | ENGINE                    | TRANSMISSION                      |
|----------------|-----------|-----------------------|---------------------------|-----------------------------------|
| S = RT/10      | D = DODGE | 27 = 2-DR CONVERTIBLE | EWB = 8.0L V10 SFI Engine | DEC = 6-Speed Manual Transmission |
| S = GTS Coupe  |           | 29 = SPECIALTY COUPE  |                           | DBB = All Manual Transmissions    |
| X = GTS/Lemans |           |                       |                           |                                   |

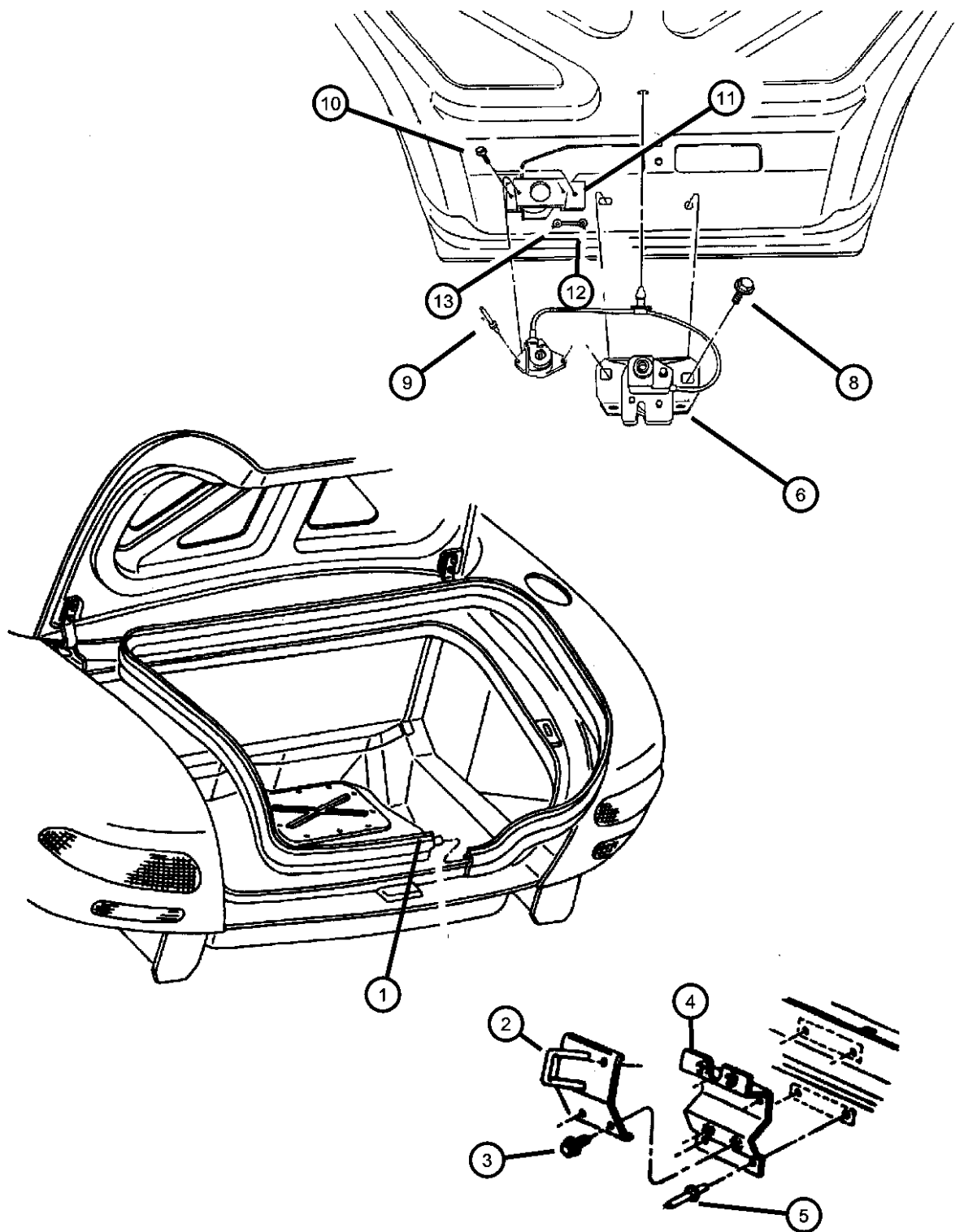
AR = use ase required - = Non illustrated part

1997 SR



**Deck Lid Weatherstrip And Latch  
Figure SSR-1320**

| ITEM | PART NUMBER | QTY | LINE | SERIES | BODY | ENGINE | TRANS | TRIM | DESCRIPTION   |
|------|-------------|-----|------|--------|------|--------|-------|------|---|
| 1    | 04643286    | 1   |      |        | 27   |        |       |      | WEATHERSTRIP, Liftgate Opening                        |
| 2    | 04642894    | 1   |      |        | 27   |        |       |      | STRIKER, Door Latch                                   |
| 3    | 04642894    | 1   |      |        |      |        |       |      | SCREW, Pan Head, M6x1.0x17.00,<br>(NOT SERVICED)      |
| 4    | 04642897    | 1   |      |        | 27   |        |       |      | REINFORCEMENT, Decklid<br>Striker, Striker            |
| 5    | 04642897    | 1   |      |        |      |        |       |      | RIVET, (NOT SERVICED)                                 |
| 6    | 04642974    | 1   |      |        | 27   |        |       |      | LATCH, Decklid  |
| -7   | 04848767    | 1   |      |        | 29   |        |       |      | BRACKET, Trunk Lamp Mounting,<br>Trunk Lamp Mounting  |
| 8    | 06100567    | 2   |      |        |      |        |       |      | SCREW AND WASHER, Hex<br>Head, M6x1x25                |
| 9    | 06100567    | 2   |      |        |      |        |       |      | RIVET, (NOT SERVICED)                                 |
| 10   | 06032723    | 6   |      |        |      |        |       |      | SCREW, Self Tapping,<br>M4.2x1.69x19.05, .164-15x.750 |
| 11   | 04643273    | 1   |      |        | 27   |        |       |      | PLATE, Decklid Cylinder                               |
| 12   | 04665288    | 1   |      |        | 27   |        |       |      | ANCHOR, Tie Down, Tie Down<br>Anchor                  |
| 13   | 06034646    | 2   |      |        | 27   |        |       |      | RIVET, .197 Grip-.187-.375                            |



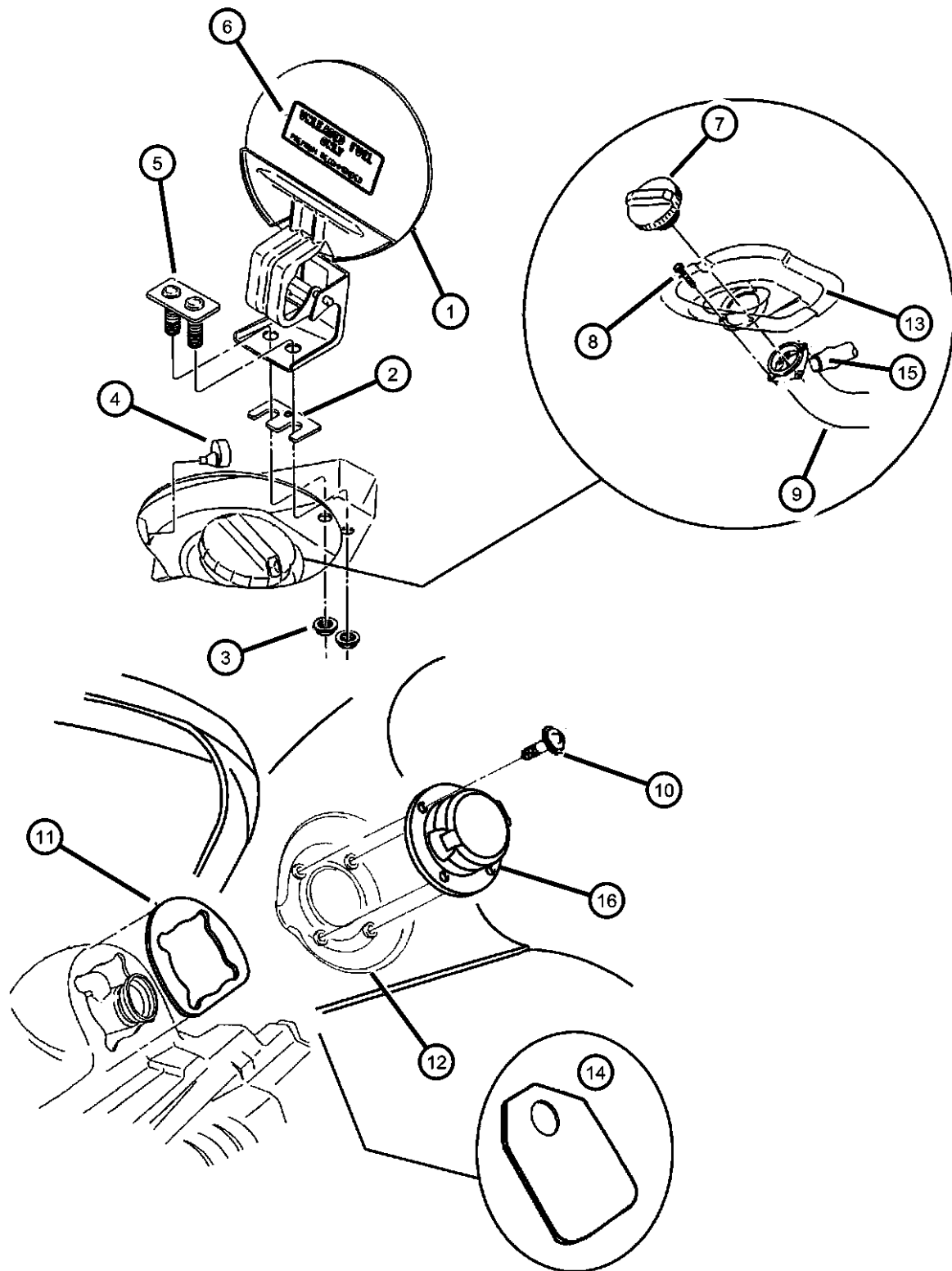
**VIPER GTS COUPE,VIPER RT/10 ROADSTER (SR)**

|                |           |                       |                           |                                   |
|----------------|-----------|-----------------------|---------------------------|-----------------------------------|
| SERIES         | LINE      | BODY                  | ENGINE                    | TRANSMISSION                      |
| S = RT/10      | D = DODGE | 27 = 2-DR CONVERTIBLE | EWB = 8.0L V10 SFI Engine | DEC = 6-Speed Manual Transmission |
| S = GTS Coupe  |           | 29 = SPECIALTY COUPE  |                           | DBB = All Manual Transmissions    |
| X = GTS/Lemans |           |                       |                           |                                   |

AR = use ase required - = Non illustrated part

Fuel Filler Door  
Figure SSR-1330

| ITEM | PART NUMBER | QTY | LINE | SERIES | BODY | ENGINE | TRANS | TRIM | DESCRIPTION  |
|------|-------------|-----|------|--------|------|--------|-------|------|--|
| 1    | 04709219AB  | 1   |      |        | 27   |        |       |      | DOOR, Fuel Fill  |
| 2    | 04643884    | AR  |      |        | 27   |        |       |      | SHIM, Fuel Filler Door                                   |
| 3    | 06100046    | 3   |      |        |      |        |       |      | NUT AND WASHER, Hex, M5x.80                              |
| 4    | 04763838    | 2   |      |        | 27   |        |       |      | BUMPER, Fuel Door  |
| 5    | 04709364    | 1   |      |        | 27   |        |       |      | PLATE AND SCREW, Fuel Filler Door                        |
| 6    | 04708234    | 1   |      |        |      |        |       |      | LABEL, Fuel, Fuel  |
| 7    |             |     |      |        |      |        |       |      | CAP, Fuel Filler   |
|      | 04763684AB  | 1   |      |        | 29   |        |       |      | Monza Metal Base   |
|      | 04848132    | 1   |      |        |      |        |       |      | Non-Locking  |
| 8    | 04848132    | 1   |      |        |      |        |       |      | SCREW, [.190-16x1.00], (NOT SERVICED),                   |
| 9    | 04848132    | 1   |      |        |      |        |       |      | TUBE, Fuel, Tank Filler (Reference Only), (NOT SERVICED) |
| 10   | 06102004    | 4   |      |        | 29   |        |       |      | SCREW, CAP, M8x1.25x26.8, M8X1.25X26.8                   |
| 11   | 05245877    | 1   |      |        | 29   |        |       |      | SEAL, Truck Closeout, Trunk Closeout to Roof Filler      |
| 12   | 05245665    | 1   |      |        | 29   |        |       |      | SEAL, Fuel Filler  |
| 13   | 04643885    | 1   |      |        | 27   |        |       |      | SEAL, Fuel Filler Flange, Fuel Filler                    |
| 14   | 04763476    | 1   |      |        | 27   |        |       |      | SHIELD, Fuel Filler Door, Fuel Filler Paint Chip         |
| 15   | 05245856    | 1   |      |        | 29   |        |       |      | TUBE, Drain, Fuel Filler Pocket                          |
| 16   | 04763684AB  | 1   |      |        | 29   |        |       |      | CAP, Fuel Filler   |



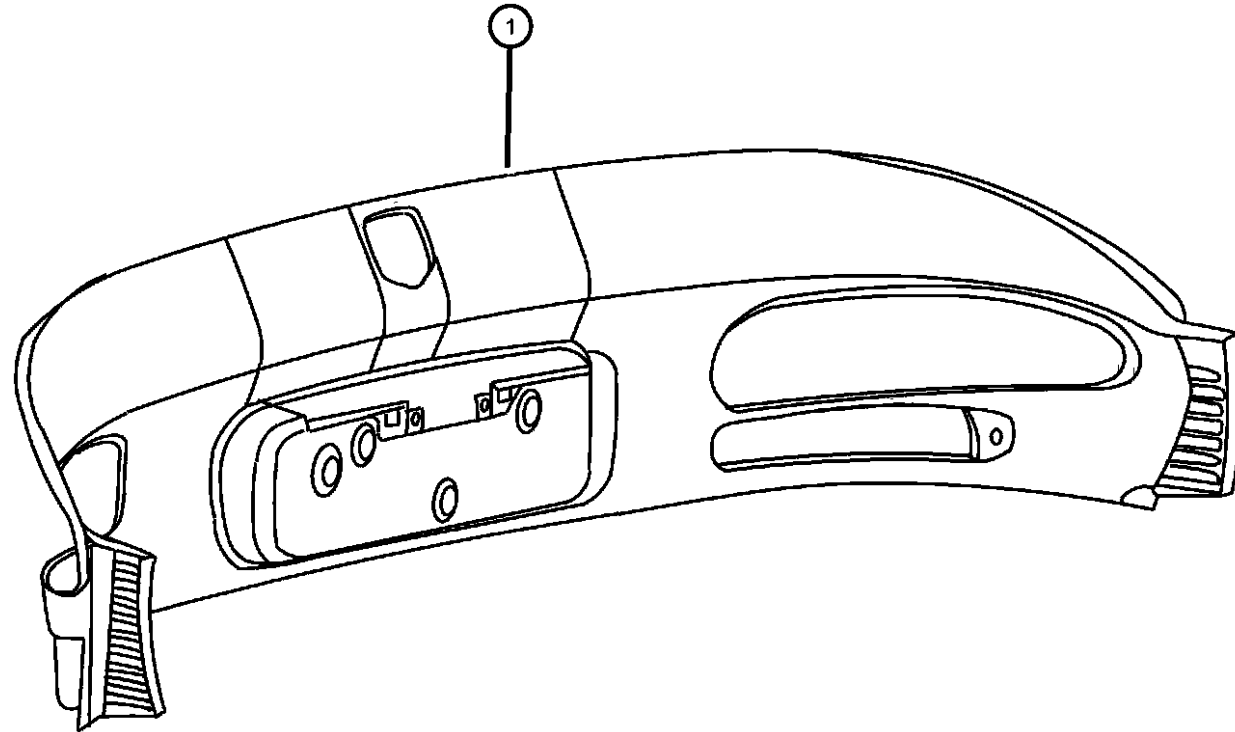
VIPER GTS COUPE,VIPER RT/10 ROADSTER (SR)

| SERIES         | LINE      | BODY                  | ENGINE                    | TRANSMISSION                      |
|----------------|-----------|-----------------------|---------------------------|-----------------------------------|
| S = RT/10      | D = DODGE | 27 = 2-DR CONVERTIBLE | EWB = 8.0L V10 SFI Engine | DEC = 6-Speed Manual Transmission |
| S = GTS Coupe  |           | 29 = SPECIALTY COUPE  |                           | DBB = All Manual Transmissions    |
| X = GTS/Lemans |           |                       |                           |                                   |

AR = use ase required - = Non illustrated part

1997 SR

**Rear Shelf Panel Viper, Coupe  
Figure SSR-1410**



| ITEM | PART NUMBER | QTY | LINE | SERIES | BODY | ENGINE | TRANS | TRIM | DESCRIPTION  |
|------|-------------|-----|------|--------|------|--------|-------|------|--|
| 1    | 04883764AA  | 1   |      |        | 29   |        |       |      | PANEL, Rear Body, Service Dealer Paint                           |
| -2   | 04883765AA  | 1   |      |        | 29   |        |       |      | COVER, Rear, Rear Closure License Lamp (Service Dealer Paint)    |
| -3   |             |     |      |        |      |        |       |      | COVER, Lamp  |
|      | 04848560    | 1   |      |        | 29   |        |       |      | Lamp (Service Dealer Paint)                                      |
|      | 04886071AA  | 1   |      |        | 29   |        |       |      | Lamp (Service Dealer Paint)                                      |
| -4   | 04763881    | 1   |      |        | 29   |        |       |      | ISOLATOR, Roof to Rear Closure Panel, Roof to Rear Closure Panel |
| -5   | 06504920AA  | 3   |      |        | 29   |        |       |      | SCREW, M6x1x20, Rear Closure Panel Mounting                      |

**VIPER GTS COUPE,VIPER RT/10 ROADSTER (SR)**

| SERIES         | LINE      | BODY                  | ENGINE                    | TRANSMISSION                      |
|----------------|-----------|-----------------------|---------------------------|-----------------------------------|
| S = RT/10      | D = DODGE | 27 = 2-DR CONVERTIBLE | EWB = 8.0L V10 SFI Engine | DEC = 6-Speed Manual Transmission |
| S = GTS Coupe  |           | 29 = SPECIALTY COUPE  |                           | DBB = All Manual Transmissions    |
| X = GTS/Lemans |           |                       |                           |                                   |

AR = use ase required - = Non illustrated part